

INSTRUCTION MANUAL

for

BROTHER MODEL EF4-B957



High Speed Twin Straight Needle
Four Threads Overlock Sewing Machine

BROTHER INDUSTRIES, LTD.
NAGOYA, JAPAN

CONTENTS

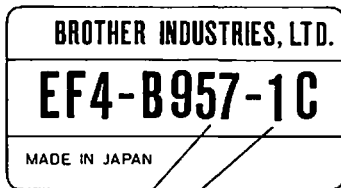
1. Specifications	1
2. Features	2
3. Operation	2
A. Sewing speed	2
B. Motor, motor pulley and belt	2
C. Setting up	3
D. Oiling, draining and maintenance	3
E. Needle cooler device	5
F. Machine operating direction	6
G. Installing needle	6
H. Threading	6
I. Thread tension	7
1. Adjustment of thread take-up	7
2. Adjusting thread take-up and thread guide	8
3. Adjusting thread tension screw	8
J. Adjustment on pressure of presser foot: Installing and removing feed dogs: and Height of feed dogs	8
K. Adjusting stitch width	8
L. Adjusting stitch length	10
M. Adjusting differential feed	10
4. Adjustment	11
1) Height of needle	11
2) Relation between needle and under looper	11
3) Installing needle guard rear	11
4) Installing needle guard front	12
5) Relation of needle with under and over looper	13
6) Installing and maintenance of knives	13
5. Trouble shooting	14
A. Thread break	14
B. Skip stitching	14
C. Needle break	14
D. Improper thread tension	14
E. Poor trimming performance	15
F. Irregular stitches	15
G. Excessive wrinkles along stitches	15
H. Needle produces too large holes	15
Parts list	16

1. Specifications

Name	High Speed Twin Needle Overlock Sewing Machine
Dimensions	355mm×240mm×270mm
Type	Dust-proof, oil-proof, totally enclosed type
Stitch from	512, 514 (E-24)
Sewing speed	6,000 stitches per minute
Max. Stitch length	3.6mm (for sub-class -1C & -2C) 3.8mm (for sub-class -3C & -4C) 2.6mm (for sub-class -5C)
Stitch width	5mm~7mm
Height of presser foot	5mm & 7mm
Lubrication	Automatic lubrication by geared pump plus splash lubrication and lubrication by oil wick
Main bearings and rods	All important parts are of phospher bronze alloy also oilless metal and ball bearings
Oil	Viscosity: CS 20.62 at 37.8°C Capacity: 700~900cc
Needle bar stroke	26mm
Needle	DC×1 (#9, #11, #14, #16)
Feed regulator	Push-button type, scale on face plate represents stitch length
Differential feed regulator	By lever moving in vertical direction; gathering and stretching can be obtained even in sewing operation
Installation	Semi-submerged

Of this machine, there are the following sub-classes available.

SUB-CLASS LIST AND EXPLANATION ON THE MEDALLION



Model	EF4-B957				
	-1C	-2C	-3C	-4C	-5C
Sub-class	Tricot	Woven	Knitted	Jersey	Bulky Knit
Use	(for general materials)		(for elastic materials)		(for heavy materials)
Max. sewing speed (spm)	6,000	6,000	6,000	6,000	6,000
Stitch form (type)	Four-thread overlock	Mock safety	Four-thread overlock	Mock safety	Four-thread overlock
Max. stitch length (mm)	3.6	3.6	3.8	3.8	2.6
Differential feed ratio	0.74-1.58		1-2		1.33-3.4
Height of presser foot (mm)	5	5	5	5	7
Needle gauge (mm)	2.2	2.2	2.2	2.2	2.2
Bight (mm)	5	6	5	7	7
Needle (DC×1)	#9	#11	#9	#11	#14

2. Features

- * The extensive design of various components and lubrication system and also the addition of the needle cooler device on this machine assure the normal operation of maximum high speed of 6,000 stitches per minute, without any troubles.
- * The upper knife is flat-shaped to make the carbide tip promises long durability of the knife.
- * Stitch can be easily regulated by push-button, with the scale on the face plate, thus it is unnecessary to change the eccentrics when you would like to change the stitch length.
- * Differential feed can be easily adjusted by the lever for gathering or stretching without soiling your hands. This also applies for the instantaneous differential adjustment obtainable.
- * Ample space on the cloth plate allows easy sewing operation.
- * Oil level in the oil reservoir is shown on the special oil gauge on the front side of the machine.
- * Lubrication can be easily checked through the oil window in the top cover.
- * Optional needle cooler ensures perfect sewing operation even with synthetic materials and threads at the high speed of 6,000 stitches per minute.
- * Colour combination of TAN-BEIGE is in well harmony with your modern factory, and operator's fatigue can be lessened.

3. Operation

A. Sewing speed

Maximum speed of this machine is 6,000 stitches per minute. For the first 100 actual working hours, however, the new machine should be operated at about 5,000 s.p.m. so that all the working parts are well run-in. After this running-in period, you may operate the machine at maximum speed of 6,000 stitches per minute. This is desirable for machine's long life.

B. Motor, motor pulley and belt

- 1) Use a clutch motor, 1/2 Hp, 2 pole, single or three phase. Our motor available is Models MD-344 (single phase) and MD-354 (three phase).
- 2) Use M-type V-belt.
- 3) Machine speed (s.p.m.), diameter of motor pulley and length of motor belt is related to the following table.

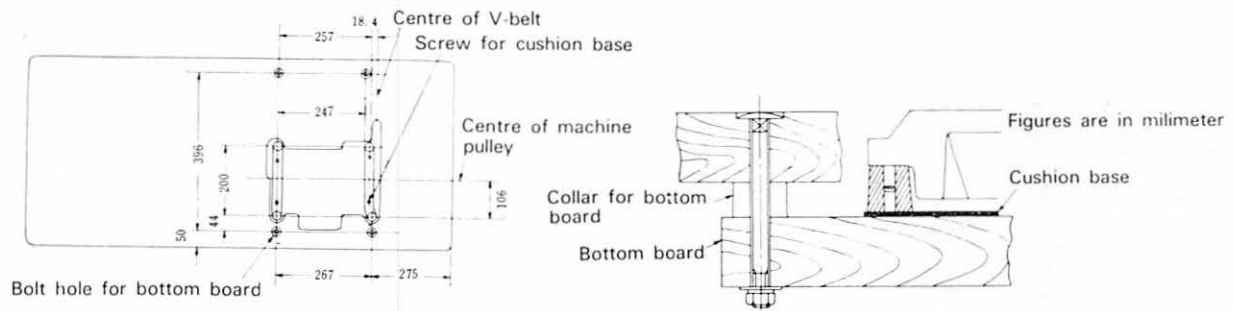
Stitches per minute	Outside diameter of pulley and length of V-belt			
	50Hz		60Hz	
	Pulley	V-belt	Pulley	V-belt
5,000	110mm	39inch	90mm	38inch
6,000	130mm	39inch	110mm	38inch

C. Setting up

This machine is normally set up as semi-submerged type. Necessary parts and accessories for setting up this machine are contained together with the machine head.

If you have purchased this machine as head only, make table top as per attached table sheet, also refer to Fig. 1, which shows the parts necessary for setting up this machine and also the measurement to mount the bottom board to the table as semi-submerged type.

With our Brother clutch motor, Models MD-344 and MD-354, there is no anxiety to set the machine to the bottom board, however, if you would use with other brand clutch motor, please make sure to have proper holes on the bottom board.



(Fig. 1)

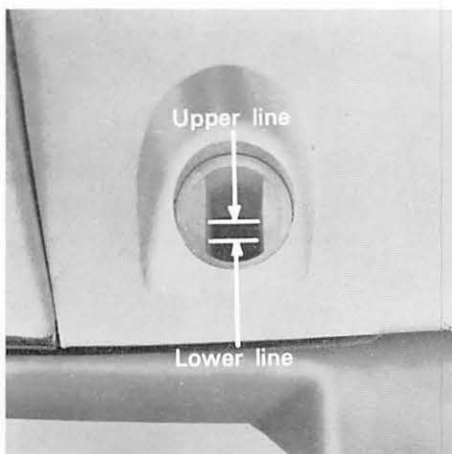
D. Oiling, draining and maintenance



(Fig. 2)

Oil is drawn out of the machine prior to its shipment.

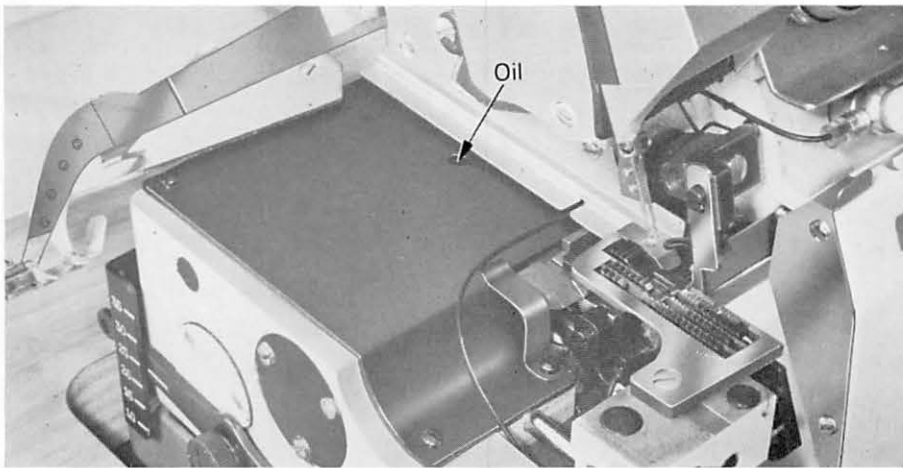
Before operating the machine, therefore, remove the oil filter cap (shown in Fig. 2) and pour oil into the machine using the funnel.



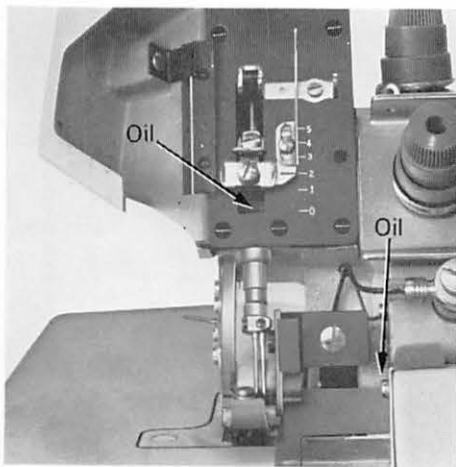
(Fig. 3)

Oil level should be up to the upper line of the oil gauge shown in Fig. 3.

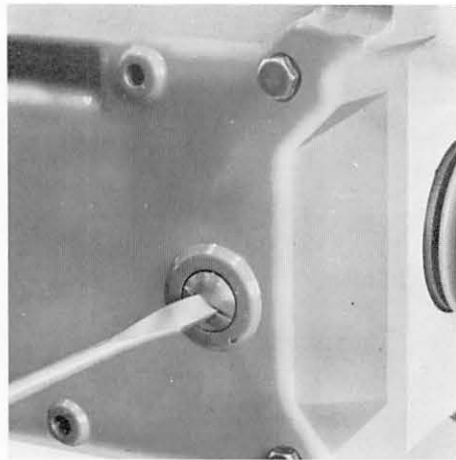
The oil reservoir consists of two tanks partitioned by a filter so it takes some time before the oil levels of both tanks match. Check if oil is up to the required level a little after the oil is poured. Add oil if oil level is below the upper line of the oil gauge. Be sure to check the oil gauge for oil level before operating the machine.



(Fig. 4)



(Fig. 5)



(Fig. 6)

When operating the machine for the first time after unpacking it or after it has been out of oil for a long period of time, add 5 or 6 drops of oil into oiling point shown in Fig. 4 & 5. You do not have to add oil into them if the machine is operated daily.

At the end of 100 actual hours operation, running-in period, change the oil.

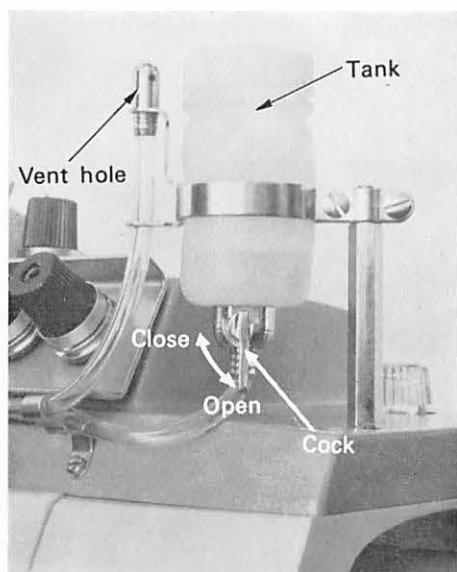
Thereafter, change it once in about three months use. The quantity of oil required is about 700-900cc. Remove the screw shown in Fig. 6 for draining oil. The machine employs a geared pump for the forced lubrication to its major moving parts. It is recommended that the oil reservoir be dismantled about twice a year for cleaning of its inner surfaces, pump, wire gauze, etc.

This is desirable for long life of the machine.

E. Needle cooler device

With machine model "C", it is equipped with the needle cooler device. In order to get the good sewing result on the resin treated materials such as polyester, jersey, and, tricot, etc., or with the synthetic threads, such as nylon and Dacron, it will be advantageous to use the needle cooler device.

1. Operating procedure



(Fig. 7)

- 1) Pour the silicone oil into the tank approximately 4/5 in capacity (50cc in capacity) then open the cock shown in Fig. 7.
- 2) If this machine is brand new or after it has been out of use for long time, it takes about 10-15 minutes to saturate the silicone oil into the felt on the needle guard, then apply several drips of silicone oil on the felt so as to thoroughly saturate before sewing operation.
- 3) The cock must be closed when the machine do not require the silicone oil, namely on the slow speed operation or cotton thread, cotton materials applied and also when you do not use the machine.

2. Sewing capability with needle cooler

When you would sew the synthetic materials, jersey, tricot, etc., it can be ensured to sew upto 6 plies of such materials at the high speed of 6,000 stitches per minute.

3. Silicone oil to be used

Silicone oil Viscosity: 500 cs.

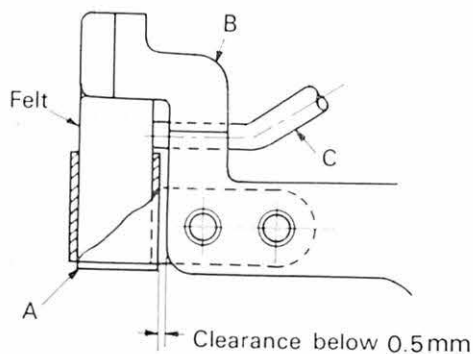
50cc silicone oil could be operated approximately half a month of sewing operation although it depends on the sewing work.

4. Proper installtaion on the machine

1) Installation of felt support and tube guide

Felt support is installed on Fixed needle guard front B as shown in Fig. 8.

Tube C should be installed on Felt with fully inserting the tube into the hole of the Fixed needle guard B because the tube C is fixed.

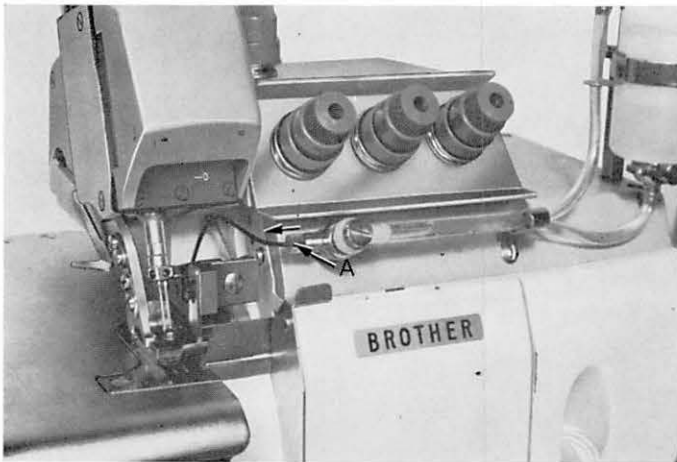


(Fig. 8)

2) Position of tank

The position of tank should be set up at the position that the Vent hole is higher than the oil level as shown in Fig. 7.

3) Removal of the top cover



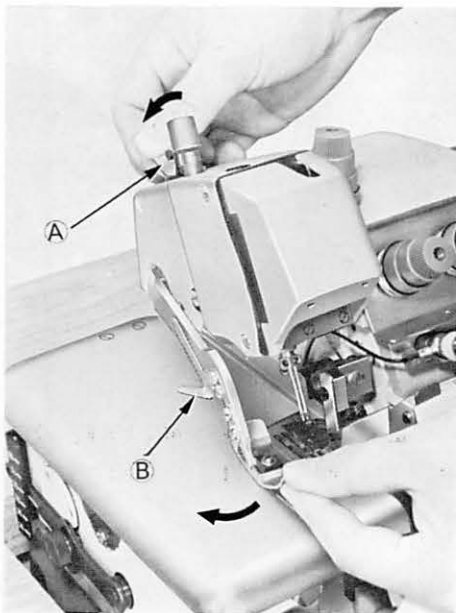
(Fig. 9)

When you pull the tube Point A to the left as shown in Fig. 9, the tank and felt portions will be separated, thus the tank can be detachable together with top cover.

F. Machine operating direction

The proper operating direction of this machine is clockwise as viewed from the pulley side.

G. Installing needle



(Fig.10)

Turn the pulley until the needle bar is raised to its highest position, lower the lifter lever A shown in Fig. 10 pressing by the thumb finger and move the presser foot arm B to the direction as indicated with arrow mark.

Now, loosen the needle set screw and holding the needle with its grooved side facing toward you, then insert the needle into the needle clamp hole all the way up. After tighten the screw.

H. Threading

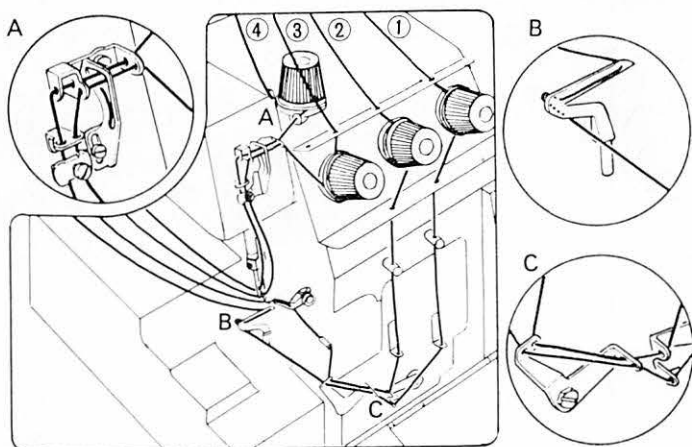
Pass the threads through the eyes of cotton stand then please do in the following order;

(1) Under looper (2) Over looper (3 & 4) Needle.

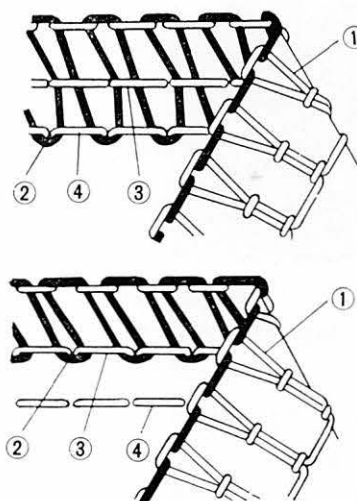
Before passing these threads, open the front cover, cloth plate, and thread take-up cover, turn the pulley until the needle is at the highest position, and the presser foot arm outward. Pass the threads as shown in Fig. 11 & 12.

When you threads to the eyes of thread guides, loopers and needle, please use with the tweezer in the accessory box.

Draw out the thread approximate 5cm from the tip of looper.



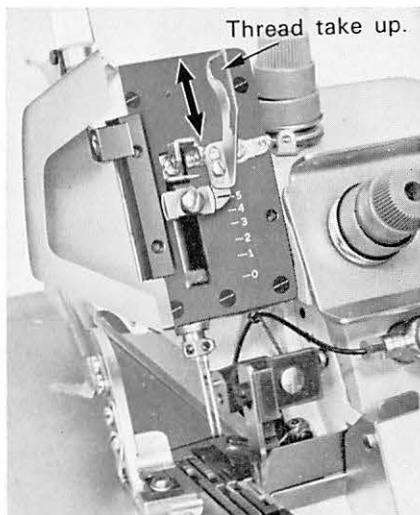
(Fig.11)



(Fig.12)

I. Thread tension

Thread tension may change depending on the type of thread and materials sewn, stitch width, stitch length, the position of the thread take-up and thread guides. If it should change considerably, make adjustment in the following manner.



(Fig.13)

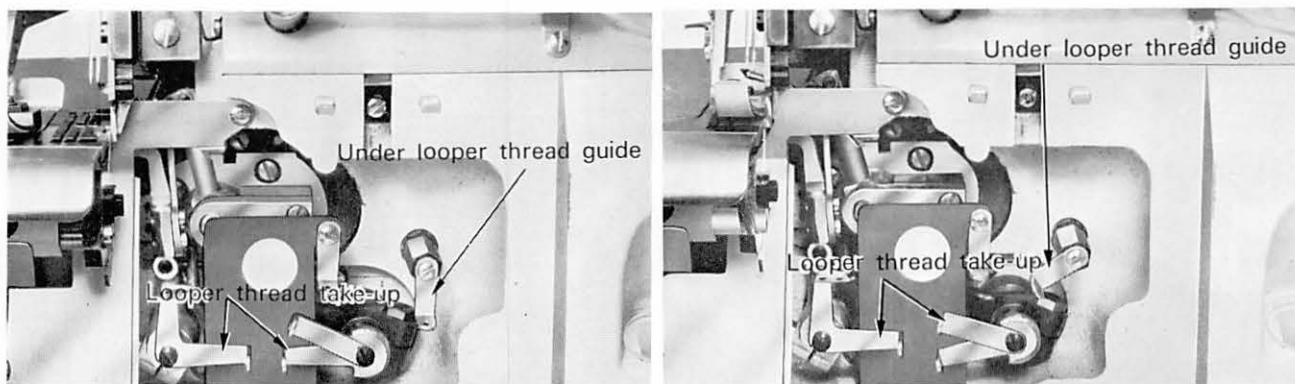
1. Adjustment of thread take-up

To tighten the needle thread, lower the needle thread take-up. To loosen it, raise the take-up.

The thread take-up in the middle position is the standard thread tension. (Fig. 13)

2. Adjusting under looper thread take-up and under looper thread guide.

As shown in Fig. 14. at the highest position of the needle, it is the standard position of the looper thread take-up and thread guide, for four threads use. The under looper thread guide and under looper thread take-up should normally be positioned at Fig. 14A. If its thread tension is too tight, change it to the Fig. 14B, position.



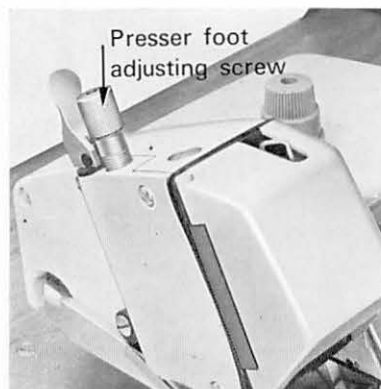
(Fig.14A)

(Fig.14B)

3. Adjusting thread tension screws:

After completion of the above-mentioned adjustment of the thread guides, and thread take-up, turn the thread tension screw for fine adjustment. Incorporate an appropriate adjustment for the above "Stitches" (Page 12). Be careful not to turn the screw in or out excessively, because it may tighten the threads more than necessary or cause the thread take-up to feed threads too excessively.

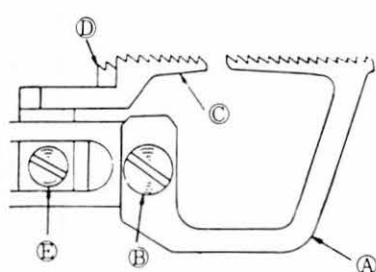
J. Adjustment on the pressure of presser foot: Installing or removing feed dogs: and Height of feed dogs:



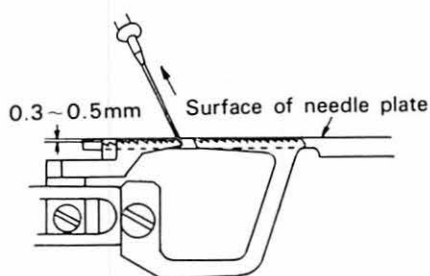
(Fig.15)

The pressure of the presser foot can be adjusted by means of the presser foot adjusting screw shown in Fig. 15.

To install the differential feed dog ①, tighten the screw ②. To install the main feed dog ③ and chaining-off feed dog ④ tighten the screw ⑤. (Fig. 16)



(Fig.16)



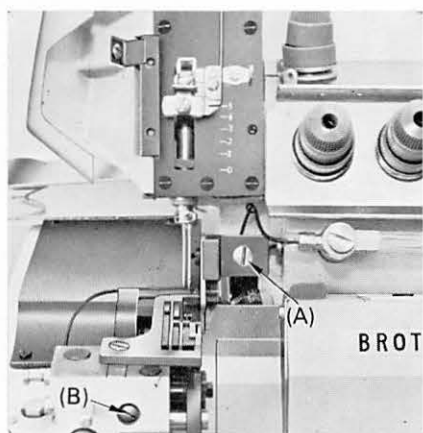
(Fig.17)

The standard height of the feed dogs is such that when the needle point comes to fit perfectly to the top surface of the needle plate in its upward travelling, the top of the feed dogs is level with the surface of the needle plate. (Fig. 17)

K. Adjusting stitch width (bight)

Stitch width is dependent on cloth trimming width and the tongue of the needle plate.

Cloth cutting width can be adjusted in the following manner. (Fig. 18). Whichever adjustment you are going to make, be sure to bring the upper knife down to its lowest position.

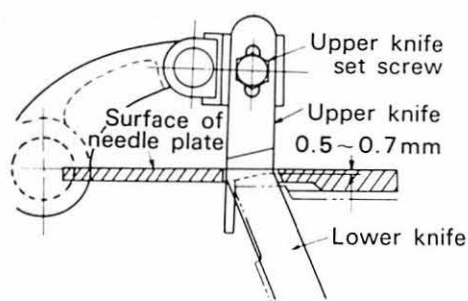


(Fig.18)

A. Widening stitch width

- 1) Loosen the upper knife holder set screw (A), move the holder rightward as much as required, and retighten the set screw (A).
- 2) Then loosen the lower knife holder set screw (B) so the lower knife is pressed to the upper knife by the lower knife holder spring.

Retighten the set screw (B) to secure the lower knife in that position.



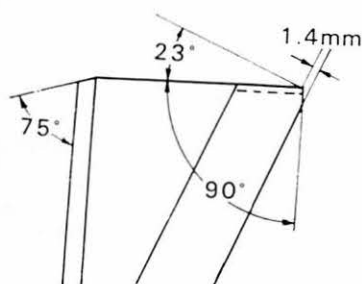
(Fig.19)

B. Narrowing stitch width

- 1) Loosen the lower knife holder set screw (B), move the holder leftward as much as required, and retighten the set screw (B) temporarily.
- 2) Loosen the upper knife holder set screw (A), move the upper knife until it hits the lower knife, and retighten the screw (A).
- 3) Loosen the temporarily tightened screw (B), see that the lower knife is pressed to the upper knife by the lower knife holder spring, and retighten the screw (B) securely.

Notes

- 1) Stitch width is determined by cloth cutting width and the tongue-shaped part of the needle plate. In case of changing stitch width to a considerable extent, change the needle plate with an appropriate one for better results.
- 2) The upper knife has an extrahard tip. If cutting performance is lowered, resharpen the lower knife as shown in Fig. 20, The resharpening of the upper knife requires a special whetstone which is available from BROTHER or your dealer.



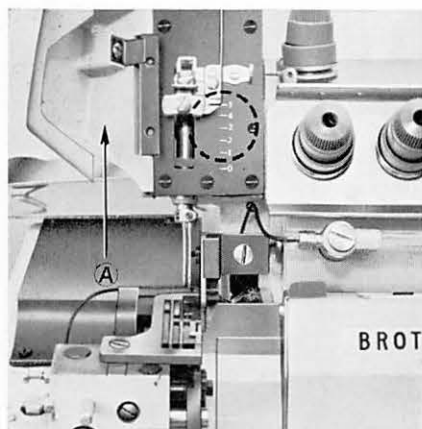
(Fig.20)

C. Attaching the upper and lower knives

As shown in Fig. 19, attach the upper knife so its front edge is 0.5-0.7mm to the edge of the lower knife when the upper knife is at the lowest position of its stroke.

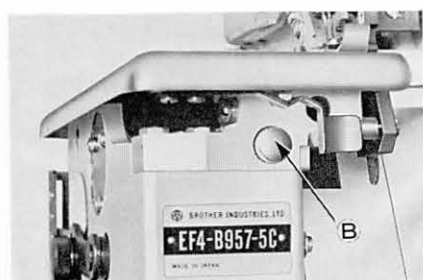
As shown in Fig. 19, attach the lower knife so its blade is flush with the top surface of the needle plate.

L. Adjusting stitch length



(Fig.21)

Stitch length can be adjusted to any point. At first, open the needle thread take-up cover A. (Fig. 21) Then, with the pushbutton B located in front of the machine kept depressed, turn the button going inward as the pulley is turned.

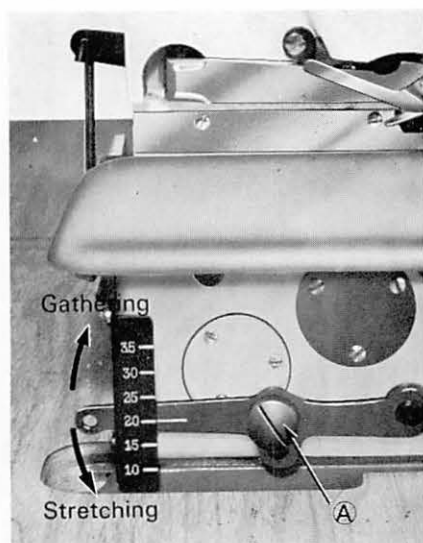


(Fig.22)

Stop the pulley when the pointer reaches the number representing your desired stitch length, and release the push-button.

The numbers indicate the stitch length, however, actual stitch length may change depending on the kind of the materials, their thickness and differential feeding.

M. Adjusting differential feed.



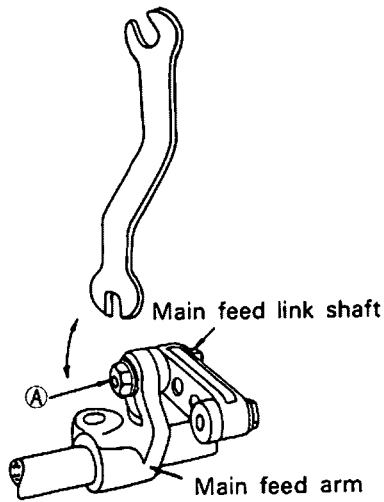
(Fig.23A)

Depending on the kind of cloth, differential feed may be adjusted to "stretch," "even," or "shrink." Select the differential ratio that is suitable to the kind of cloth and sewing condition in reference to the scale plate which carries differential ratio numerals.

First loosen the screw A shown in Fig. 23A, move the lever in vertical directions until your desired differential ratio figure aligns with the reference line of the lever. Be sure to retighten the screw A securely after adjustment.

For your information, differential ratios vs. sewing conditions are shown below.

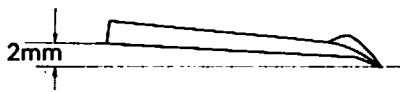
Differential ratio	Sewing condition, cloth
0.7~1.5	Tricot and calico (Sub-class -1C, 2-C)
1~2	Hosiery and jersey (Sub-class -3C, -4C)
1.3~3.4	Jersey, knit and bulky knit fabrics (Sub-class -5C)



(Fig.23B)

In the case to require larger gathering differential feed.

Remove cloth plate and feeding mechanism cover, loosen nut **A** of main feed link shaft by an attached wrench, then lower downward (Fig. 23B) When the main feed link shaft is lowered until bottoming.



(Fig.24)

4. Adjustment

1) Underlooper height

The underlooper's height can be fixed by inserting the underlooper all the way into the looper holder.

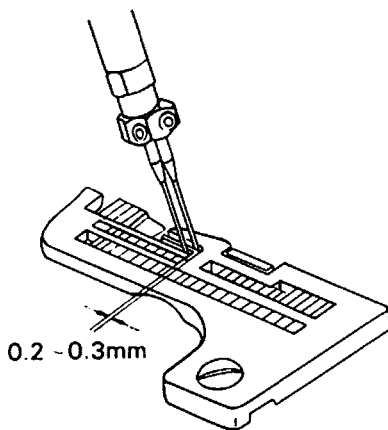
2) Underlooper tilt

Attach the underlooper aslant as shown in Fig. 24.

3) Underlooper vs. needles

a. Needle drop

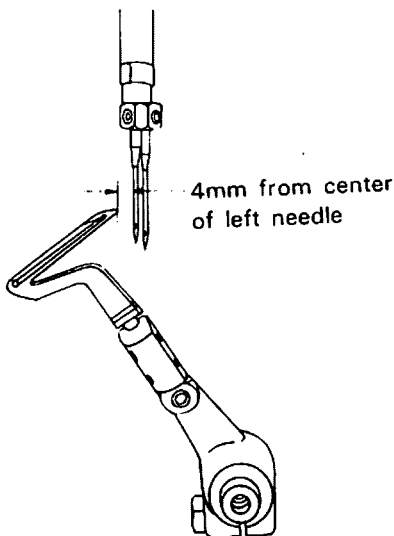
Adjust needle drop by means of the needle clamp so the right needle is 0.2–0.3mm away from the left needle in your direction. (See Fig. 25).



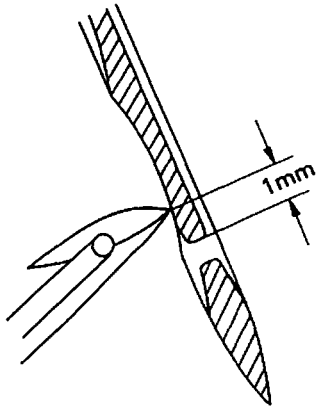
(Fig.25)

b. The leftmost position of underlooper

When the underlooper is moved all the way to the left, its point must be 4mm to the center of the left needle. (See Fig. 26).



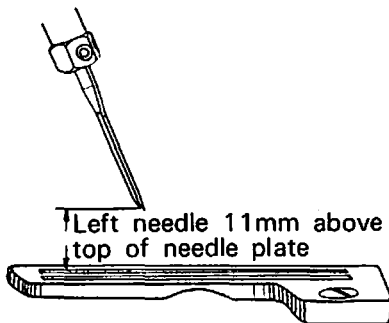
(Fig.26)



(Fig.27)

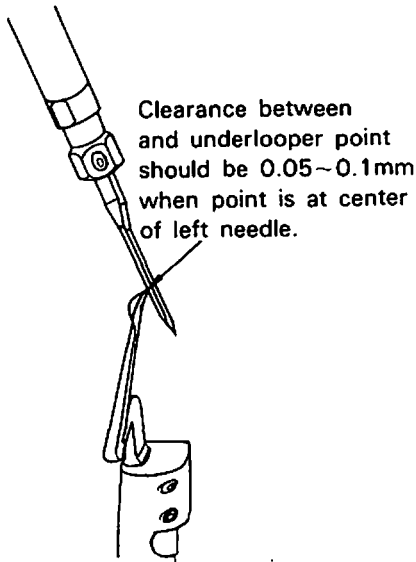
c. Needle height

Set the needle height so when the point of the underlooper meets the center of the left needle in its upward stroke, the underlooper point is about 1mm above the needle hole, (See Fig. 27).



(Fig.28)

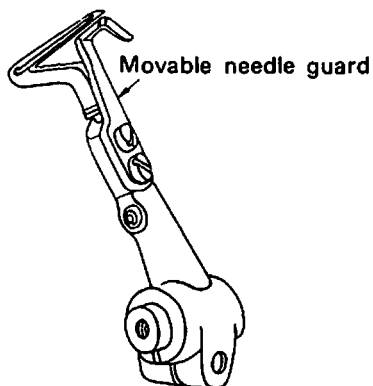
Thus adjusted, the highest position of the needle will be as shown in Fig. 28.



(Fig.29)

d. The forward and backward positions of underlooper holder.

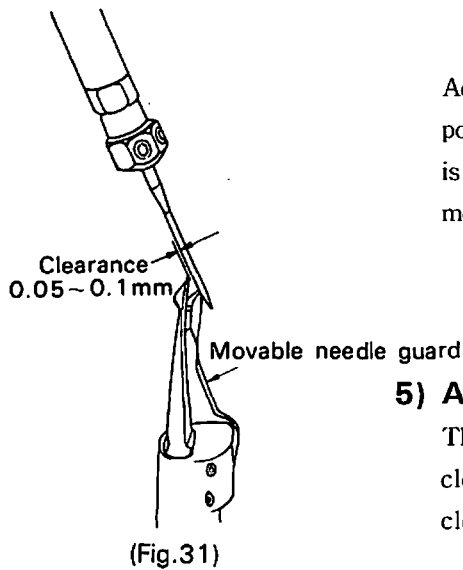
Set the forward and backward positions of the underlooper holder with the point of the underlooper in line with the center of the left needle in its rising stroke. When the holder positions are set as shown in Fig. 29, retighten the holder set screws securely.



(Fig.30)

4) Attaching the movable needle guard

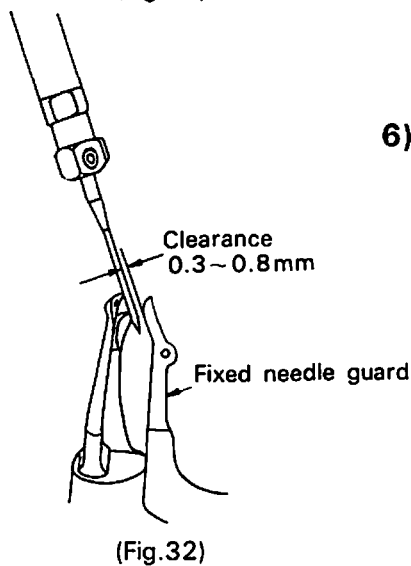
One of the two needle guards moves with the underlooper. Attach it as shown in Fig. 30.



Adjust the needle guard so the clearance between the underlooper point and the left needle is 0.05-0.1mm when the underlooper point is in line with the center of the left needle. Bend the needle with movable needle guard for this adjustment. (Fig. 31).

5) Attaching the fixed needle guard

This needle guard serves as an auxiliary and is to be fixed to a clearance of 0.3-0.8mm as shown in Fig. 32. Never reduce the clearance to zero.



6) Positioning the overlooper

This machine is so designed that two kinds of sewing Four-thread overlock and Mock safety are available by simply relocating the overlooper holder assembly and holder guide assembly.

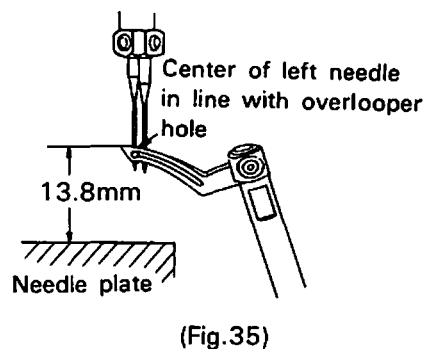
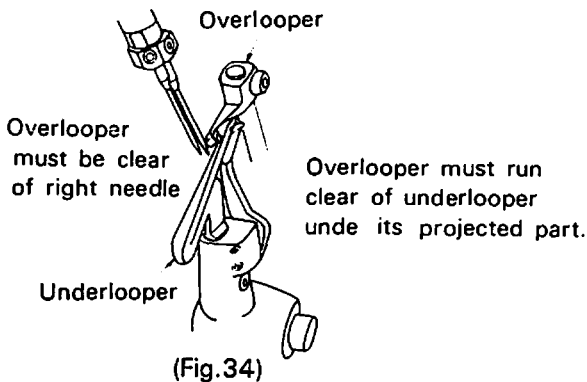
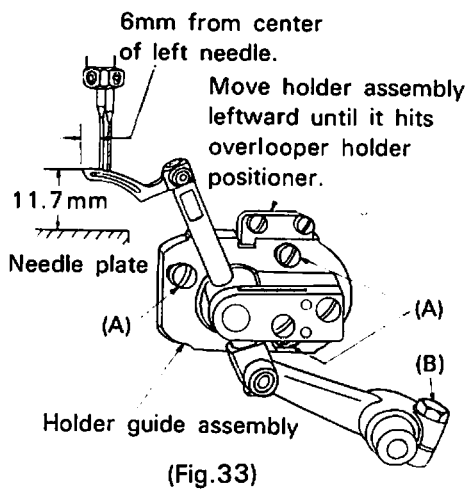
a. Four-thread overlock (See Fig. 33).

Loosen the set screw (A), move the holder guide assembly all the way to the left, and fix it securely with the set screw (A). Then loosen the set screw (B) for the overlooper holder assembly, adjust the height of the overlooper, and fix it with the set screw (B) again. Finally, check the relationship between the underlooper and the needle. (See Fig. 34).

b. Mock safety (See Fig. 35).

Loosen the set screw (A), move the holder guide assembly all the way to the right, and fix it securely with the set screw (A). Adjust the underlooper height in the same way as above, and check the relationship between the underlooper and the needles.

Note: The holder guide assembly has been carefully positioned in the machine assembling process, and its set screw is painted red to seal it. You are advised not to relocate the assembly.



5. Trouble-shooting

A. Thread break

Cause	Remedy
Poor thread quality.	Use thread of good quality.
Thread too thick for needle size.	Change needle or thread for the right one.
Needle groove or needle eye poorly finished.	Change needle for a good one.
Excessive pressure of tension disc.	Adjust to proper pressure.
Needle improperly fitted.	Refer to instruction for "Installing needle." (Page. 6)
Needle, looper, needle plate, or thread passage has flaws.	Smooth surface with oil stone or buff.
Relation of needle with looper and thread take-up not right.	Refer to "Thread tension." (Page 7)
Wrong threading.	Refer to "Threading." (Page 6)
Needle gets hot.	Use with needle cooler or use smaller size needle.

B. Skip stitching

Cause	Remedy
Wrong threading	Refer to "Threading." (Page 6)
Point of looper out of shape.	Resharp with oil stone or replace
Needle point blunt or bent.	Replace.
Needle improperly fitted.	Refer to "Installing needle." (Page 6)
Needle and needle guard out of proper relation.	Refer to "Installing needle guard. (Page 11 & 12)
Needle gets hot.	Use with needle cooler or use smaller size needle.
Pressure of tension disc too small.	Adjust to proper pressure.

C. Needle break

Cause	Remedy
Needle and needle guard out of proper relation.	Refer to "Installing needle guard." (Page 11 & 12)
Needle and looper out of proper relation.	Refer to "Relation between needle and under looper" and "Relation of needle with under looper and over looper." (Page 11 & 13)
Needle bent.	Replace.
Needle improperly fitted.	Refer to "Installing needle." (Page 6)

D. Improper thread tension

Cause	Remedy
Relation of needle with looper and thread take-up not right.	Refer to "Adjustment" and "Thread tension." (Page 11 & 7)
Tension disc will not work properly	Clean tension disc of foreign particles to allow smooth operation.
Thread too thick for needle.	Use needle or thread of the right size.
Wrong threading.	Refer to "Threading." (Page 6)

E. Poor trimming performance

Cause	Remedy
Lower knife worn out.	Re-sharpen. (Refer to Page 9)
Upper and lower knives installed improperly.	Refer to "Attaching the upper and lower knives" (Page 9)
Spring pressure on lower knife not right for materials to be trimmed.	Refer to "Attaching the upper and lower knives" (Page 9)

F. Irregurla stitches

Cause	Remedy
Wrong threading.	Refer to "Threading" (Page 6)
Thread irregular in thickness.	Use thread of good quality.
Thread passages rough.	Smoothly polish.
Thread take-up and thread guide out of position.	Refer to "Thread tension" (Page 7)
Knives blunt.	Refer to "Attaching the upper and lower knives" (Page 9)
Lower knife installed improperly.	Refer to "Attaching the upper and lower knives" (Page 9)

G. Excessive wrinkles along stitches

Cause	Remedy
Differential feed adjustment not right.	Refer to "Adjusting differential feed" (Page 10)
Pressure of presser foot not right.	Adjust to proper pressure.
Thread tension too strong.	Adjust porperly.
Feed dogs installed improperly.	Refer to "Adjustment on pressure of presser foot: Installing and removing feed dogs: and Height of feed dogs" (Page 8)
Knives blunt.	Refer to "Attaching the upper and lower knives" (Page 9)
Cloth trimming width and stitch tongue of needle plate out of proportion.	Adjust trimming width to needle plate of replace needle plate.

H. Needle produces too large hole

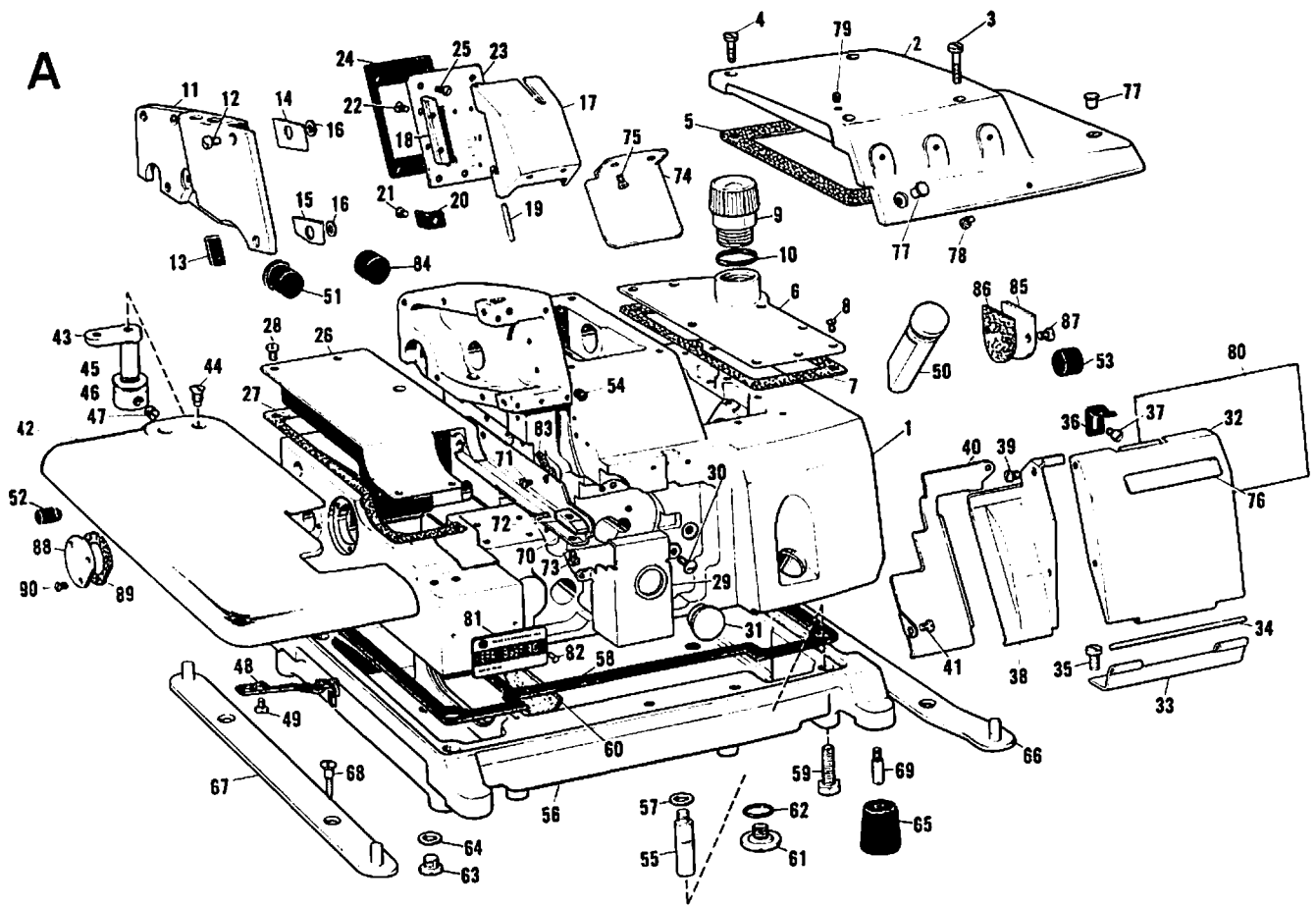
Cause	Remedy
Needle point blunt.	Replace needle.
Needle too large for materials.	Use smaller size needle.
Needle getshot.	Use needle cooler.

PARST LIST for EF4-B957

I N D E X

Paris.No.	Ref. No.	Remark	Paris.No.	Ref. No.	Remark	Paris.No.	Ref. No.	Remark	Paris. No.	Ref. No.	Remark
009680-8-12	G-56		101552-0-01	E-85		112348-0-01	G-37		140203-0-01	D-46	
001401-4-06	Z-33		101572-0-01	Z-10		"	H-15		140205-0-01	D-50	
003670-6-14	D-74		101706-0-01	A-47		112351-0-01	G-30		140207-0-01	D-55	
005660-7-13	D-47		"	C-14		112364-0-01	G-19		140208-0-01	D-56	
009660-6-14	H-23		"	D-49		"	G-22		"	D-70	
009669-3-13	F-12		"	G-50		"	G-36		140209-0-01	D-57	
009670-5-16	A-73		101795-0-01	Z-26		112467-0-01	A-63		140210-0-01	D-58	
009681-0-12	D-35		102456-0-00	C-27		113431-0-02	D-53		140211-0-01	D-61-65	
009681-0-14	A-4		102538-0-06	A-90		114294-0-01	B-50		140212-0-01	D-61	
009682-0-14	A-3		102629-0-01	Z-9		114483-0-01	Z-14		140213-0-01	D-62	
009689-4-12	G-57		102843-0-04	A-22		115280-0-01	A-31		140214-0-01	D-63	
013750-6-14	E-52		"	A-25		115811-0-01	A-39		140215-0-01	D-66	
014660-3-22	B-31		104449-0-01	A-51		116016-0-01	Z-32		140216-0-01	D-69	
"	C-17		104527-0-01	G-49		116231-0-01	A-82		140217-0-01	D-71	
014680-4-22	C-24		104564-0-01	H-13		116662-0-01	D-81		140226-0-01	D-78	
"	C-35		104832-0-01	A-52		117437-0-01	Z-31		140230-0-01	E-41-45	
"	C-53		104833-0-01	G-26		117466-0-00	Z-11		140231-0-00	E-41	
017751-4-13	C-51		105034-0-02	C-7		117515-0-01	F-61		140232-0-01	E-43	
017771-2-12	D-51		"	C-42		117516-0-01	E-62		140233-0-01	E-45	
"	D-65		105078-0-01	B-22		117517-0-03	D-100		140235-0-00	E-54	
017771-4-12	B-6		105079-0-01	B-23		118527-0-01	Z-18		140236-0-01	E-53	
"	C-5		105163-0-01	D-45		118697-0-01	C-13		140238-0-01	E-50	
"	C-19		105173-0-03	G-17		120048-0-02	E-38		140246-0-01	E-63	
"	C-40		105343-0-01	Z-3		"	E-40		140248-0-01	E-66	
"	D-21		106069-0-03	E-15		120049-0-03	D-8		140261-0-01	E-21	
"	D-76		106129-0-01	B-44		120823-0-01	E-59		140262-0-00	E-23	
"	E-22		106766-0-03	E-34		140032-0-01	A-9		140263-0-00	E-24	
"	E-46		"	K-7		140033-0-01	A-10		140264-0-01	E-25	
017782-0-14	B-38		"	L-7		140036-0-01	A-14		140267-0-01	E-27	
017822-2-13	A-59		106812-0-01	Z-30		140037-0-02	A-17-21		140277-0-01	E-13	
021080-1-06	Z-40		107093-0-02	D-85		140038-0-02	A-17		140278-0-01	F-19	
021400-1-06	Z-34		107153-0-01	G-3		140039-0-01	A-18		140281-0-01	F-28	
025080-3-36	Z-38		107231-0-01	E-29		140040-0-01	A-19		140288-0-01	B-15-18	
025350-3-32	G-44		107244-0-01	B-57		140041-0-01	A-20		140300-0-01	H-54	
028080-2-43	Z-39		107272-0-02	A-8		140042-0-01	A-66		140305-0-01	G-47	
031451-6-03	Z-28		107231-0-01	E-29		140045-0-01	A-26		140314-0-01	G-33	
048020-3-46	E-7		107214-0-01	B-57		140048-0-00	A-27		140317-0-00	C-29	
048050-3-47	H-4		107272-0-02	A-8		140053-0-02	A-32-34		"	E-47	
048080-3-46	E-19		107351-0-01	B-39		140054-0-02	A-32		140320-0-00	B-7	
048150-1-43	D-13		107407-0-02	D-41		140055-0-01	A-33		140325-0-00	G-27	
072600-0-30	B-48		"	E-49		140056-0-01	A-34		140326-0-01	B-9	
081004-0-70	H-3		107779-0-01	Z-5		140057-0-01	A-36		"	B-19	
100016-0-03	B-63		108721-0-01	F-4		140063-0-01	B-42		"	H-11	
100025-0-01	D-17		"	F-22		140064-0-01	A-50		140327-0-01	B-10	
100032-0-01	A-44		108962-0-01	Z-23		140065-0-01	A-53		"	C-9	
"	B-34		109203-0-01	A-62		140066-0-01	A-84		"	C-44	
100035-0-01	H-29		109374-0-01	D-24		140067-0-01	A-55		140342-0-01	Z-2	
100105-0-02	E-36		109836-0-01	D-64		140070-0-01	A-60		140415-0-00	B-21	
"	K-9		110161-0-03	H-8		140071-0-01	A-65		140416-0-00	C-20	
"	L-6		110161-0-04	E-16		140075-0-01	A-67		140417-0-00	A-83	
100130-0-01	A-75		110191-0-01	H-7		140077-0-01	A-69		"	C-21	
100137-0-01	C-55		110436-0-01	Z-1		140084-0-00	B-55		140418-0-00	B-20	
100137-0-01	G-43		110495-0-03	A-46		140085-0-02	B-62		140420-0-01	D-26	
100137-0-04	A-28		110641-0-01	A-61		140088-0-01	B-3		140421-0-01	A-54	
100185-0-03	A-49		110668-0-01	B-53		140090-0-01	B-8		140425-0-01	B-27	
"	A-87		110670-0-00	B-58		140091-0-00	B-11		140461-0-01	E-30	
"	G-28		110671-0-00	B-60		140092-0-01	B-12		"	K-3	
"	G-40		110672-0-00	B-61		140093-0-00	B-14		140463-0-01	E-35	
100185-0-04	A-30		110673-0-00	B-56		140095-0-01	B-18		"	K-8	
"	A-37		110686-0-01	B-2		140096-0-01	B-16		140468-0-01	G-52	
"	A-41		110686-0-01	E-42		140097-0-01	B-25		140504-0-01	E-37	
"	A-71		110701-0-01	C-6		140098-0-01	B-17		140708-0-00	C-4	
"	C-33		"	C-41		140099-0-00	B-28		"	C-39	
"	F-18		110706-0-01	C-46		140100-0-01	B-29		140737-0-01	F-13-16	
"	F-31		110735-0-01	A-16		140102-0-01	F-17		140738-0-01	Z-36	
"	H-20		"	D-42		140103-0-01	F-17		140739-0-01	Z-37	
"	H-26		110793-0-01	E-18		140106-0-01	B-41		140758-0-00	A-57	
100218-0-02	A-79		110807-0-01	E-33		140109-0-01	A-85		140759-0-00	Z-17	
100242-0-02	A-21		"	K-6		140110-0-00	A-86		140764-0-01	G-39	
100251-0-01	D-19		"	L-6		140112-0-00	C-36		140768-0-01	G-41	
100260-0-01	B-26		110813-0-01	F-1		140116-0-00	C-45		140771-0-01	D-59	
100264-0-01	B-49		110820-0-01	F-2		140118-0-01	C-47		140772-0-01	D-67	
100289-0-01	C-49		"	F-20		140152-0-01	A-15		140774-0-00	D-60	
100366-0-01	B-4		110832-0-01	F-3		140165-0-01	D-4		"	D-68	
"	B-13		"	F-21		140167-0-00	D-89		140778-0-01	G-35	
"	E-44		111443-0-01	A-78		140176-0-01	D-15		140780-0-01	G-21	
100368-0-02	B-59		111486-0-01	B-40		140178-0-01	D-18		"	G-29	
"	C-28		111865-0-01	A-77		140179-0-01	D-20		140781-0-01	G-24	
100469-0-02	A-68		112297-0-09	B-32		140180-0-01	B-64		140782-0-01	G-38	
100539-0-03	D-79		112297-0-11	I-1		140182-0-01	D-22		"	G-32	
100541-0-01	B-24		"	K-2		140183-0-01	D-23		140792-0-01	Z-27	
"	G-34		112297-0-00	Z-24		140184-0-01	D-25		140796-0-01	A-76	
100541-0-02	D-83		112297-0-14	L-2		140185-0-00	D-27		140798-0-01	Z-25	
"	E-14		112299-0-01	F-16		140186-0-00	D-28		140888-0-01	E-39	
"	E-67		112300-0-01	F-14		140187-0-00	A-89		140913-0-01	A-74	
100541-0-03	A-12		112301-0-01	F-15		140188-0-02	A-88		140928-0-00	D-43	
"	B-36		112348-0-01	A-64		140193-0-01	D-33		141183-0-00	A-45	
100541-0-04	C-31		"	G-20		140196-0-00	D-36		141188-0-01	D-73	
100644-0-03	A-35		"	G-23		140197-0-01	D-39		141657-0-00	H-18	
101552-0-01	B-43		"	G-31		140202-0-01	D-44		142125-0-00	Z-12	

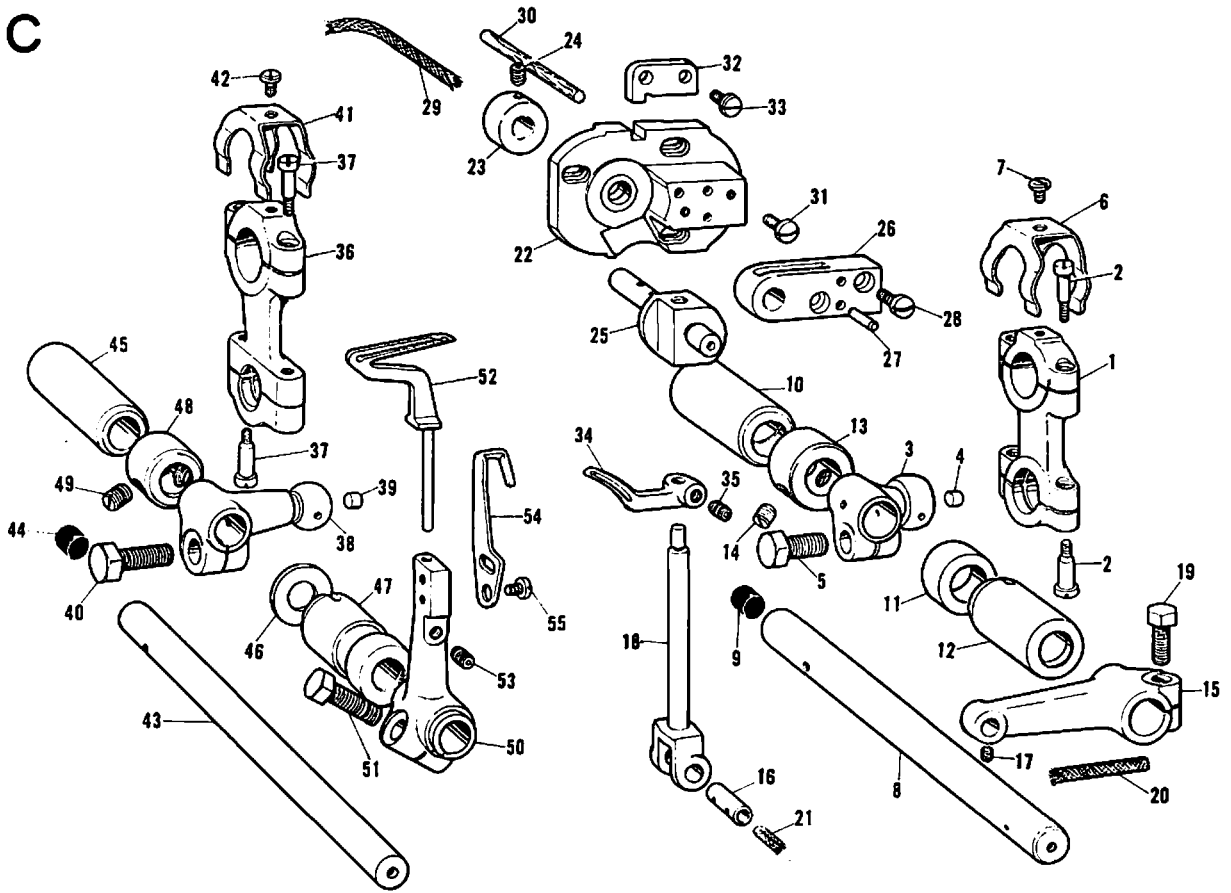
Parts. No.	Ref. No.	Remark	Parts. No.	Ref. No.	Remark	Parts. No.	Ref. No.	Remark	Parts. No.	Ref. No.	Remark
14229-0-01	H-1		144043-0-01	C-32		144620-0-01	G-46				
142260-0-01	D-14		144044-0-01	C-36-38		144621-0-01	G-51				
142281-0-01	H-16		144046-0-01	C-38		144622-0-01	G-48				
142282-0-01	H-12		144047-0-01	C-43		144623-0-00	G-53				
142284-0-01	H-19		144048-0-01	C-50		144624-0-00	G-54				
142285-0-01	H-22		144049-0-01	C-52		144625-0-00	G-55				
142286-0-01	H-24		144053-0-01	D-10		145277-0-01	Z-13				
142287-0-00	H-21		144055-0-01	D-11		145640-0-01	B-1				
142292-0-01	H-17		144056-0-01	D-12		145642-0-01	B-1-5				
142316-0-01	H-5		144059-0-01	D-29,30		145663-0-01	D-86				
142317-0-01	H-14		144060-0-01	D-29		146399-0-01	D-84-101				
142321-0-01	H-9		144061-0-01	D-30		146400-0-01	D-84				
142330-0-01	H-2		144062-0-01	J-2		146401-0-01	D-88				
142334-0-01	Z-35		-	K-11		146402-0-00	D-89				
142343-0-01	Z-15		144063-0-01	L-11		146403-0-01	D-91				
142412-0-00	H-10		144064-0-01	D-31		146404-0-01	D-90				
142574-0-01	D-40		144065-0-01	J-3		146405-0-01	D-93				
142589-0-01	D-72		-	K-12		180323-0-01	C-48				
142590-0-01	C-2		144066-0-01	L-12		181171-0-01	D-75				
-	C-37		144067-0-01	D-31		181969-0-02	A-46,47				
142673-0-00	D-37		144068-0-01	D-52		181965-0-01	D-48				
142674-0-00	D-38		144069-0-01	L-13		181965-0-02	F-10				
142787-0-01	H-6		144070-0-01	D-32		308863-0-01	G-59				
142977-0-01	Z-41		144071-0-01	E-48-51							
143174-0-00	B-51		144072-0-01	E-48							
143179-0-00	B-52		144073-0-01	E-51							
143183-0-01	B-45		144074-0-00	E-56							
143287-0-01	D-80		144075-0-01	E-57							
143292-0-02	A-2		-	F-31							
143293-0-00	A-5		-	F-36							
143294-0-02	A-56		144076-0-01	E-58							
143311-0-01	B-46		144077-0-01	E-60							
143312-0-01	B-47		144078-0-01	E-64							
143323-0-01	E-10		144079-0-01	E-1							
143324-0-01	E-11		144080-0-01	E-2							
143325-0-01	E-12		144081-0-01	E-3							
143326-0-01	E-17		144082-0-01	E-4							
143327-0-01	E-20		144083-0-01	E-5							
143371-0-01	A-42-44		144084-0-01	E-6							
143372-0-01	A-42		144085-0-01	E-8							
143374-0-01	A-43		144086-0-01	E-9							
143375-0-01	A-48		144087-0-01	E-26							
143534-0-01	G-25		144088-0-01	E-28							
143536-0-01	A-6		144089-0-01	E-30-36							
143537-0-00	A-7		144090-0-01	E-31							
143538-0-01	A-58		144091-0-01	E-32							
143565-0-01	D-54		-	K-5							
143566-0-01	Z-4		-	L-5							
143703-0-01	A-70		144092-0-01	D-77							
143704-0-01	A-72		144094-0-01	D-82							
143760-0-01	H-25		-	L-14							
143990-0-01	A-1		144095-0-01	J-4							
143991-0-01	A-11		-	K-13							
143992-0-01	A-13		144097-0-01	L-3-9							
143995-0-01	L-1		144098-0-01	L-3							
143996-0-01	A-24		144099-0-01	L-4							
143997-0-01	A-29		144100-0-01	L-8							
143998-0-01	A-38		144101-0-01	K-3-9							
143999-0-01	A-40		144102-0-01	K-4							
144000-0-01	A-80		144103-0-01	F-5							
144006-0-01	A-81		144103-0-01	F-23							
144007-0-01	I-3		144104-0-01	F-6							
144008-0-01	J-6		144105-0-00	F-7							
144009-0-01	K-15		-	F-26							
144010-0-01	L-16		144106-0-01	F-8							
144016-0-01	B-5		-	F-27							
144017-0-01	B-29-31		144107-0-01	F-9							
144018-0-01	B-30		144108-0-01	F-11							
144019-0-01	B-37		144109-0-01	F-24							
144020-0-01	B-33		144110-0-01	F-25							
144021-0-01	I-2		144111-0-01	F-29							
144022-0-01	L-10		144112-0-01	F-30							
144024-0-01	K-10		144113-0-01	F-32							
144026-0-00	C-1		144114-0-01	F-33							
144025-0-01	C1-3		144115-0-01	F-35							
144027-0-01	C-3		144116-0-00	C-30							
144028-0-01	C-8		144117-0-00	E-55							
144029-0-00	C-10		144118-0-01	H-27							
144030-0-01	C-11		144119-0-01	H-28							
144031-0-00	C-12		144124-0-01	Z-7							
144033-0-01	C15-21		144125-0-01	Z-6							
144034-0-01	C-15		144126-0-01	B-35							
144035-0-01	C-16		144127-0-01	C-54							
144036-0-01	C-18		144225-0-01	Z-16							
144037-0-01	C22-28		144612-0-01	J-1							
144038-0-00	C-22		-	K-1							
144039-0-01	C-23		144613-0-01	A-23							
144040-0-01	C-25		144617-0-01	G-42-59							
144041-0-00	C-26		144618-0-00	G-45							
144042-0-01	C-34		144619-0-00	G-42							



PARTS LIST for EF4-B957-1C

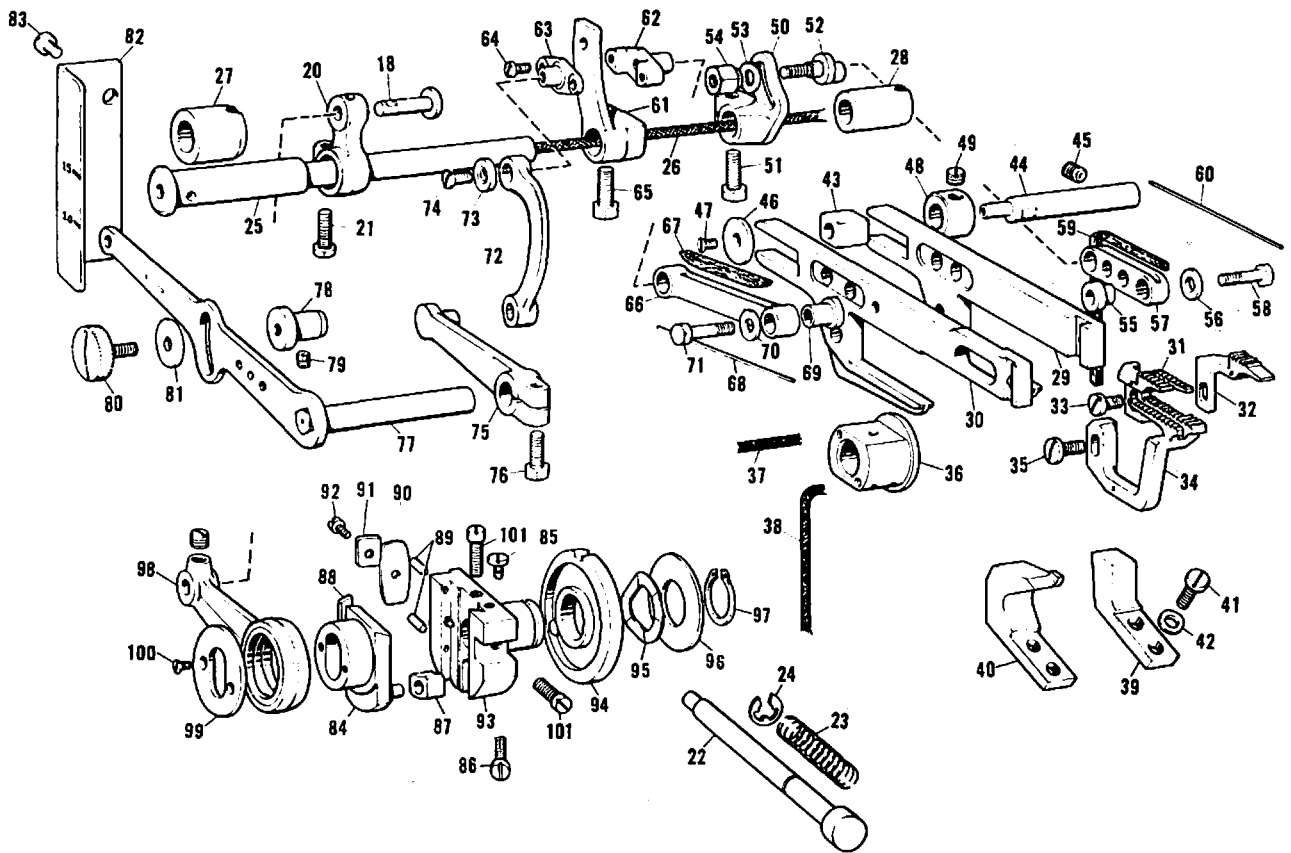
Ref. No.	Part Name	Qty	Parts-No.	Assembly No.	Ref. No.	Part Name	Qty	Parts-No.	Assembly No.
A-1	Machine Body	1 pce.	143990-0-01		A-46	Set Collar for A-43	1 pce.	110495-0-03	
A-2	Top Cover	1 *	143292-0-02		A-47	Set Screw for A-46	2 pcs.	101706-0-01	181969-0-02
A-3	Set Screw 1.37 x 20 for A-2	2 pcs.	009682-0-14		A-48	Stopper Spring for A-42	1 pce.	143375-0-01	
A-4	Set Screw 1.37 x 10 for A-2	2 *	009681-0-14		A-49	Set Screw for A-48	1 *	100185-0-03	
A-5	Packing for A-2	1 pce.	143293-0-00		A-50	Oil Gauge Window	1 *	140064-0-01	
A-6	Dust Cover (Right)	1 *	143536-0-01		A-51	Oil Cap	1 *	104449-0-01	
A-7	Packing for A-6	1 *	143537-0-00		A-52	Oil Cap	1 *	104832-0-01	
A-8	Flat Head Screw for A-6	10 pcs.	107272-0-02		A-53	Oil Cap	1 *	140065-0-01	
A-9	Cap for Oil Feeding Hole	1 pce.	140032-0-01		A-54	Oil Cap	1 *	140421-0-01	
A-10	Packing for A-9	1 *	140033-0-01		A-55	Machine Body Leg	4 pcs.	140067-0-01	
A-11	Cover for Needle Driving Mechanism	1 *	143991-0-01		A-56	Oil Reservoir	1 pce.	143291-0-02	
A-12	Set Screw for A-11	6 pcs.	100541-0-03		A-57	Washer for A-55	4 pcs.	140758-0-00	
A-13	Cap	1 pce.	143992-0-01		A-58	Packing for Oil Reservoir	1 pce.	143338-0-01	
A-14	Cover Packing (upper) for A-11	1 *	140036-0-01		A-59	Bolt 7.91-28 x 22	4 pcs.	017822-2-13	
A-15	Cover Packing (lower) for A-11	1 *	140132-0-01		A-60	Oil Filter	1 pce.	140070-0-01	
A-16	Washer for A-11	2 pcs.	110735-0-01		A-61	Set Screw for A-56	1 *	110641-0-01	
A-17	Needle Thread Take-up Cover	1 pce.	140038-0-02		A-62	Packing for A-61	1 *	108203-0-01	
A-18	Hinge for A-17	1 *	140039-0-01		A-63	Oil Draining Screw	1 *	112467-0-01	
A-19	Hinge Pin	2 pcs.	140040-0-01	140037-0-02	A-64	Packing for A-63	1 *	112348-0-01	
A-20	Stopper Spring for A-17	1 pce.	140041-0-01		A-65	Cushion	4 pcs.	140071-0-01	
A-21	Set Screw for A-20	1 *	100242-0-02		A-66	Cushion Base (Right)	1 pce.	140042-0-01	
A-22	Set Screw for A-18	2 pcs.	102843-0-04		A-67	Cushion Base (Left)	1 *	140075-0-01	
A-23	Face Plate (B)	1 pce.	144613-0-01		A-68	Set Screw 5.1 x 26	4 pcs.	100469-0-02	
A-24	Packing for A-23	1 *	143996-0-01		A-69	Set Pin for Cushion	4 *	140077-0-01	
A-25	Set Screw for A-23	5 pcs.	102843-0-04		A-70	Cloth Guide	1 pce.	143703-0-01	
A-26	Cover for Feed Mechanism	1 pce.	140045-0-01		A-71	Set Screw for A-70	2 pcs.	100185-0-04	
A-27	Packing for A-26	1 *	140048-0-00		A-72	Chain Guide	1 pce.	143704-0-01	
A-28	Set Screw for A-26	4 pcs.	100137-0-04		A-73	Set Screw for A-72	1 *	009670-5-16	
A-29	Inside Cover	1 pce.	143997-0-01		A-74	Eye Guard	1 *	140913-0-01	
A-30	Set Screw for A-29	2 pcs.	100185-0-04		A-75	Set Screw for A-74	2 pcs.	100130-0-01	
A-31	Cap	1 pce.	115290-0-01		A-76	Name Plate	1 pce.	140796-0-01	
A-32	Front Cover	1 *	140054-0-02		A-77	Cap	2 pcs.	111865-0-01	
A-33	Hinge for Front Cover	1 *	140055-0-01	140053-0-02	A-78	Set Screw	1 pce.	111443-0-01	
A-34	Pin for A-33	1 *	140056-0-01		A-79	Set Screw	1 *	100218-0-02	
A-35	Set Screw for A-33	2 pcs.	100644-0-03		A-80	Threading Diagram	1 *	144000-0-01	
A-36	Stopper Spring for A-32	1 pce.	140057-0-01		A-81	Model Plate (EF4-B957-1C)	1 *	144006-0-01	
A-37	Set Screw for A-36	1 *	100185-0-04		A-82	Pin for A-81	2 pcs.	116231-0-01	
A-38	Looper Cover (A)	1 *	143998-0-01		A-83	Wick	1 pce.	140117-0-00	
A-39	Set Screw for A-38	2 pcs.	115811-0-01		A-84	Oil Cap	1 *	140096-0-01	
A-40	Looper Cover (B)	1 pce.	143999-0-01		A-85	Cover for Needle Shaft Bushing (Right)	1 *	140104-0-01	
A-41	Set Screw for A-40	2 pcs.	100185-0-04		A-86	Packing for A-85	1 *	140110-0-00	
A-42	Cloth Plate	1 pce.	143372-0-01		A-87	Set Screw for A-85	2 pcs.	100185-0-04	
A-43	Cloth Plate Supporter	1 *	143374-0-01	143371-0-01	A-88	Cover for Feed Shaft Bushing (Left)	1 pce.	140188-0-02	
A-44	Set Screw for A-43	2 pcs.	100032-0-01		A-89	Packing for A-88	1 *	140187-0-00	
A-45	Washer for A-46	1 pce.	141183-0-00		A-90	Set Screw for A-88	3 pcs.	102538-0-06	

C



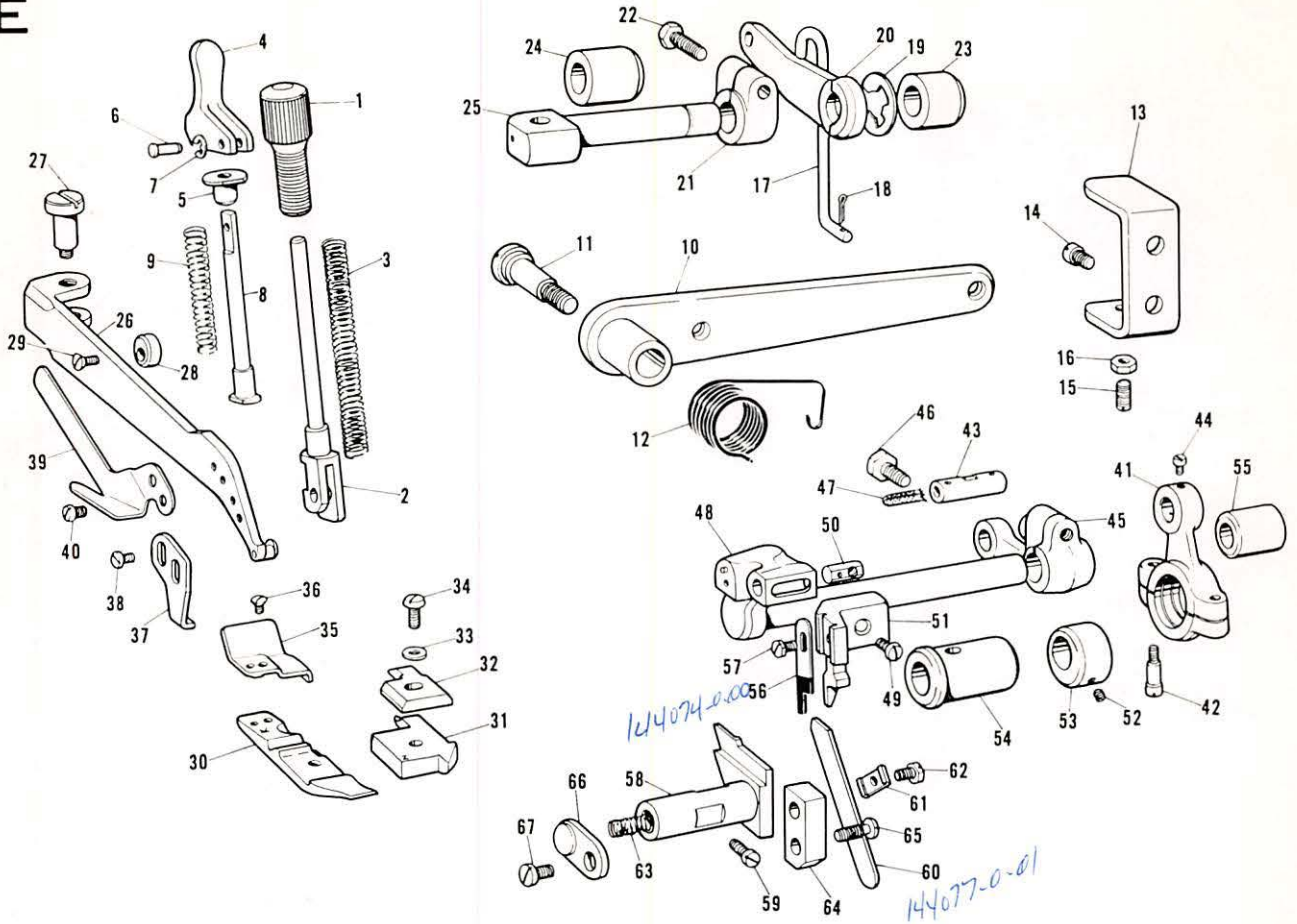
Ref. No.	Name of Parts	Qty	Parts-No.	Assembly No.	Ref. No.	Name of Parts	Qty	Parts-No.	Assembly No.
C-1	Looper Connecting Rod	1 pce.	144026-0-00	144025-0-01	C-31	Set Screw	3 pcs.	100541-0-04	
C-2	Set Screw for C-1	4 pcs.	142590-0-01		C-32	Over Looper Holder Positioner	1 pce.	144043-0-01	
C-3	Over Looper Supporter	1 pce.	144027-0-01		C-33	Set Screw for C-32	2 pcs.	100186-0-04	
C-4	Cap	1 *	140708-0-00		C-34	Over Looper	1 pce.	144042-0-01	
C-5	Bolt 6.35-40 x 14	1 *	017771-4-12		C-35	Set Screw 4.37 for C-34	1 *	014680-4-22	
C-6	Looper Connecting Rod Stopper	1 *	110704-0-01		C-36	Looper Connecting Rod	1 *	140112-0-00	
C-7	Set Screw for C-6	1 *	105034-0-02		C-37	Set Screw for C-36	4 pcs.	142590-0-01	144044-0-01
C-8	Shaft for C-3	1 *	144028-0-01		C-38	Under Looper Supporter	1 pce.	144046-0-01	
C-9	Cap	1 *	140327-0-01		C-39	Oil Cap	1 *	140708-0-00	
C-10	Connecting Rod Bushing (Rear)	1 *	144029-0-00		C-40	Hexagonal Bolt 6.35-40 x 14	1 *	017771-4-12	
C-11	Set Collar	1 *	144030-0-01	C-41	Looper Connecting Rod Stopper	1 *	110704-0-01		
C-12	Connecting Rod Bushing (Front)	1 *	144031-0-00	C-42	Set Screw for C-41	1 *	105034-0-02		
C-13	Set Collar	1 *	118697-0-01	C-43	Shaft for C-38	1 *	144047-0-01		
C-14	Set Screw for C-13	2 pcs.	101706-0-01	C-44	Oil Cap	1 *	140327-0-01		
C-15	Over Looper Driving Lever	1 pce.	144034-0-01	C-45	Connecting Rod Bushing (Rear)	1 *	140116-0-00		
C-16	Pin for C-18	1 *	144035-0-01	C-46	Thrust Collar	1 *	110706-0-01		
C-17	Set Screw for C-16	1 *	014680-3-22	C-47	Connecting Rod Bushing (Front)	1 *	140118-0-01		
C-18	Over Looper Holder	1 *	144036-0-01	C-48	Set Collar	1 *	116778-0-01		
C-19	Bolt 6.35-40 x 14	1 *	017771-4-12	C-49	Set Screw for C-48	2 pcs.	100289-0-01	180323-0-01	
C-20	Wick	1 *	140416-0-00	C-50	Under Looper Holder	1 pce.	144048-0-01		
C-21	Wick	1 *	140417-0-00	C-51	Hexagonal Bolt 5.56 x 14	1 *	017751-4-13		
C-22	Over Looper Holder Guide Base	1 *	144038-0-00	C-52	Under Looper	1 *	144049-0-01		
C-23	Set Collar	1 *	144039-0-01	C-53	Set Screw for C-52	1 *	014680-4-22		
C-24	Set Screw for C-23	2 pcs.	014680-4-22	C-54	Movable Needle Guard	1 *	144127-0-01		
C-25	Guide Block	1 pce.	144040-0-01	C-55	Set Screw for C-54	2 pcs.	100137-0-01		
C-26	Supporting Plate	1 *	144041-0-00						
C-27	Taper Pin	2 pcs.	102456-0-00						
C-28	Set Screw	2 *	100368-0-02						
C-29	Wick	1 pce.	140317-0-00						
C-30	Felt	1 *	144116-0-00						

D



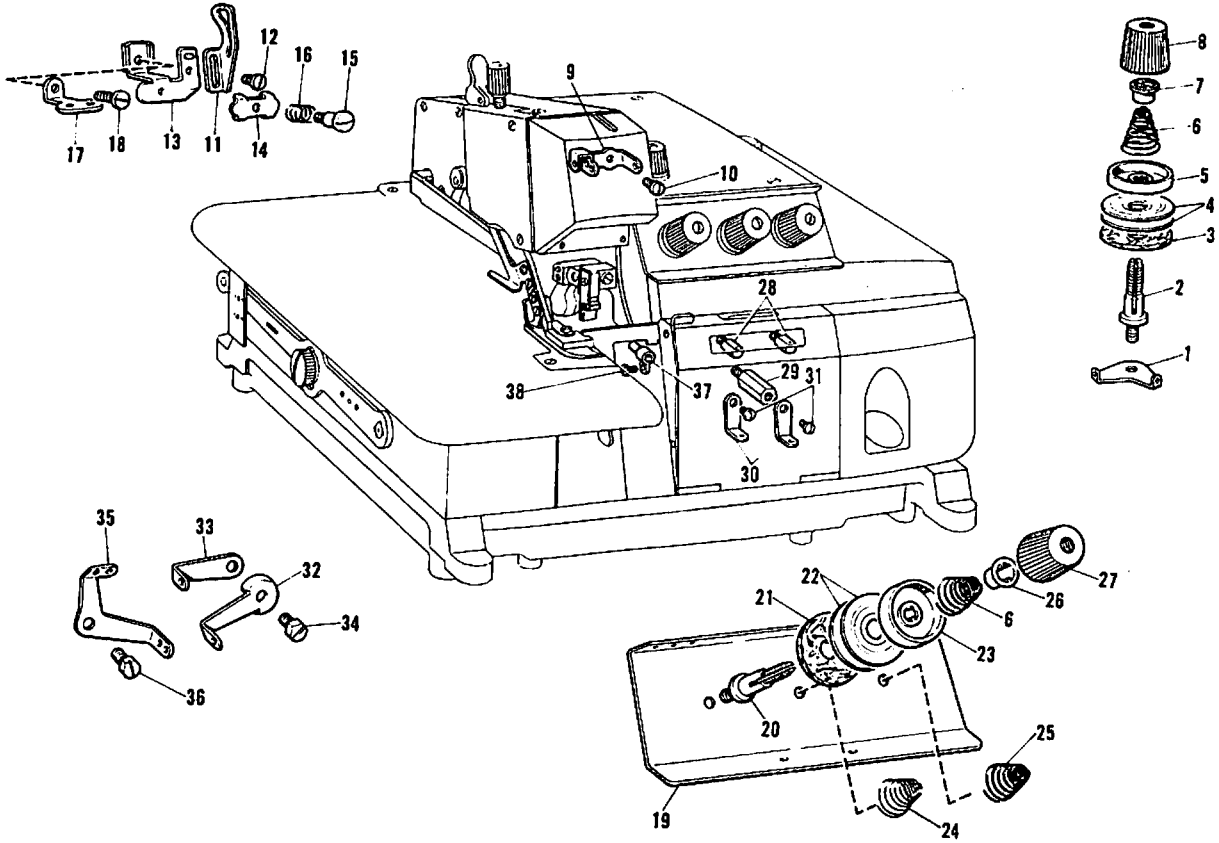
Ref. No.	Name of Parts	Qty	Parts-No.	Assembly No.	Ref. No.	Name of Parts	Qty	Parts-No.	Assembly No.
D-18	Pin for D-20	1 pce.	140178-0-01		D-61	Differential Feed Arm	1 pce.	140212-0-01	140211-0-01
D-19	Set Screw D-18	1 *	140251-0-01		D-62	Differential Feed Adjuster	1	140213-0-01	
D-20	Feed Arm	1 *	140179-0-01		D-63	Cap for D-62	1	140214-0-01	
D-21	Hexagonal Bolt 6.35 x 14	1 *	017771-1-12		D-64	Set Screw for D-63	2 pcs.	108836-0-01	
D-22	Feed Adjusting Shaft	1 *	140182-0-01		D-65	Hexagonal Bolt 6.35 x 12	1 pce.	017771-2-12	
D-23	Feed Adjusting Spring	1 *	140183-0-01		D-66	Differential Feed Link	1	140215-0-01	
D-24	Stop Ring	1 *	108574-0-01		D-67	Felt for D-66	1	140772-0-01	
D-25	Feed Shaft	1 *	140184-0-01		D-68	Steel Wire 0.32 x 70	2 pcs.	140774-0-00	
D-26	Wick	1 *	140420-0-01		D-69	Differential Feed Link Bushing	1 pce.	140216-0-01	
D-27	Feed Shaft Bushing (Left)	1 *	140185-0-00		D-70	Washer for D-66	1	140208-0-01	
D-28	Feed Shaft Bushing (Right)	1 *	140186-0-00		D-71	Feed Link Shaft	1	140217-0-01	
D-29	Main Feed Bar	1 *	144060-0-01	144059-0-01	D-72	Differential Feed Adjusting Link	1	142589-0-01	
D-30	Differential Feed Bar	1 *	144061-0-01		D-73	Washer for D-72	1	141188-0-01	
D-31	Main Feed Dog S	1 *	144064-0-01		D-74	Set Screw for D-72	1	003670-6-14	
D-32	Chain Feed Dog S	1 *	144070-0-01		D-75	Differential Feed Link Lever	1	18171-0-01	
D-33	Set Screw for D-31	1 *	140193-0-01		D-76	Hexagonal Bolt 6.35 x 14	1	017771-1-12	
D-34	Differential Feed Dog S	1 *	144067-0-01		D-77	Differential Feed Adjusting Lever	1	144062-0-01	
D-35	Set Screw 4.37 x 10	1 *	006681-0-12		D-78	Bushing for D-77	1	140226-0-01	
D-36	Feed Lifting Slide Block	1 *	140196-0-00		D-79	Set Screw for D-78	1	100539-0-03	
D-37	Wick	1 *	142674-0-00		D-80	Set Screw for D-77	1	143287-0-01	
D-38	Wick	1 *	142674-0-00		D-81	Washer for D-80	1	116662-0-01	
D-39	Feed Bar Guide (Right)	1 *	140197-0-01		D-82	Differential Stitch Control (A)	1	144094-0-01	
D-40	Feed Bar Guide (Left)	1 *	142574-0-01		D-83	Set Screw for D-82	2 pcs.	100541-0-02	
D-41	Set Screw for D-39, 40	4 pcs.	107407-0-02		D-84	Eccentric Wheel	1 pce.	146400-0-01	
D-42	Washer	4 *	110735-0-01		D-85	Set Screw	1	107093-0-02	
D-43	Feed Bar Guide Block	1 pce.	140928-0-00		D-86	Set Screw	1	145663-0-01	
D-44	Main Feed Bar Guide Block Shaft	1 *	140202-0-01		D-87	Slide Block for D-9	1	140165-0-01	
D-45	Set Screw for D-44	1 *	105163-0-01		D-88	Gib	1	146401-0-01	
D-46	Slide Plate for D-43	1 *	110203-0-01		D-89	Gib Holder Pin	1	140167-0-00	
D-47	Set Screw for D-46	1 *	005660-7-13		D-90	Gib Holder Plate (L)	2 pcs.	146404-0-01	
D-48	Set Collar for D-44	1 *	181985-0-01		D-91	Gib Holder Plate (S)	1 pce.	146403-0-01	
D-49	Set Screw for D-48	2 pcs.	101706-0-01		D-92	Set Screw for D-90, 91	1	120049-0-03	
D-50	Main Feed Arm	1 pce.	140205-0-01		D-93	Eccentric Wheel Holder	1	146405-0-01	
D-51	Hexagonal Bolt 6.35 x 12	1 *	017771-2-12		D-94	Eccentric Wheel Adjusting Cam	1	144034-0-01	
D-52	Main Feed Link Shaft (Large)	1 *	144068-0-01		D-95	Ripple Type Spring	1	144035-0-01	
D-53	Washer for D-54	1 *	113431-0-02		D-96	Spring Presser Ring	1	144056-0-01	
D-54	Nut for D-52	1 *	143365-0-01		D-97	Stop Ring	1	048150-1-13	
D-55	Main Feed Link Bushing	1 *	140207-0-01		D-98	Feed Rod	1	142260-0-01	
D-56	Washer for D-55	1 *	140208-0-01		D-99	Feed Rod Presser Plate	1	140176-0-01	
D-57	Main Feed Link	1 *	140209-0-01		D-100	Set Screw for D-16	2 pcs.	117517-0-03	
D-58	Main Feed Link Shaft (Small)	1 *	140210-0-01		D-101	Set Screw for D-9	2	100025-0-01	
D-59	Felt for D-57	1 *	140771-0-01						
D-60	Steel Wire 0.32 x 70	2 pcs.	140774-0-00						

E



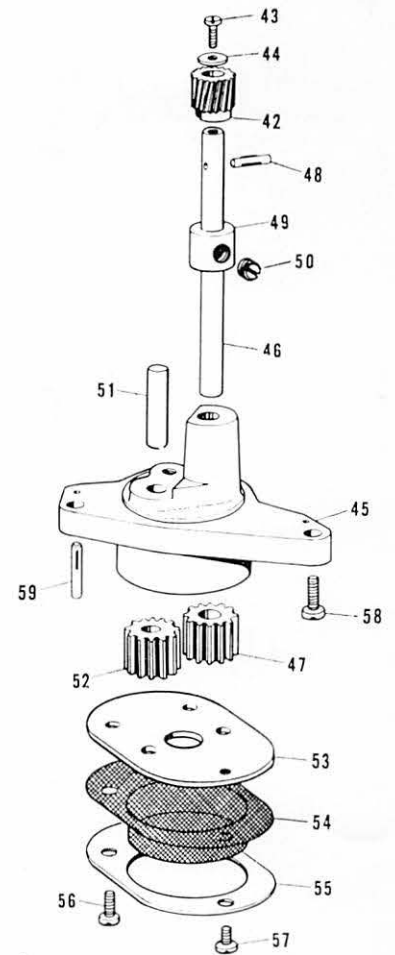
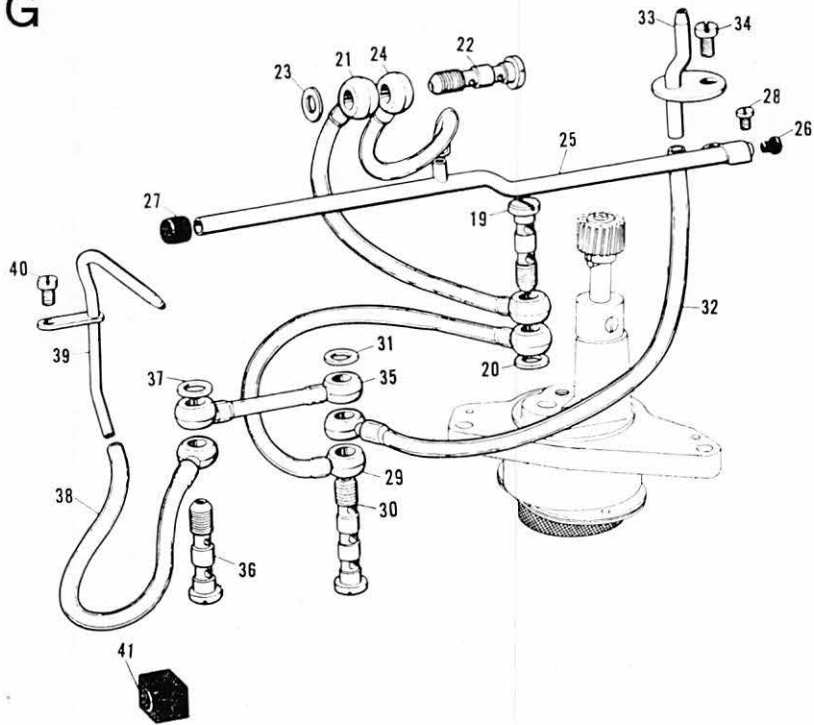
Ref. No.	Name of Parts	Qty	Parts No.	Assembly No.	Ref. No.	Name of Parts	Qty	Parts No.	Assembly No.
E-1	Presser Foot Adjusting Screw	1 pcc.	144079-0-01		E-37	Presser Foot Stopper	1 pcc.	140504-0-01	
E-2	Presser Bar	1 *	144080-0-01		E-38	Set Screw for E-37	2 pcs.	120048-0-02	
E-3	Presser Bar Spring	1 *	144081-0-01		E-39	Trimming Knife	1 pcc.	140888-0-01	
E-4	Presser Bar Lifter	1 *	144082-0-01		E-40	Set Screw for E-39	1 *	120048-0-02	
E-5	Washer for E-4	1 *	144083-0-01		E-41	Upper Knife Driving Rod	1 *	140231-0-00	
E-6	Pin for E-4	1 *	144084-0-01		E-42	Set Screw for E-41	2 pcs.	110686-0-01	
E-7	Stop Ring	1 *	048020-3-46		E-43	Pin for E-41	1 pcc.	140232-0-01	140230-0-01
E-8	Presser Bar Lifting Shaft	1 *	144085-0-01		E-44	Set Screw for E-43	1 *	100366-0-01	
E-9	Spring for E-8	1 *	144086-0-01		E-45	Upper Knife Driving Lever	1 *	140233-0-01	
E-10	Presser Foot Lifter Lever	1 *	143323-0-01		E-46	Hexagonal Bolt 6.35 x 14	1 *	017771-4-12	
E-11	Stud Screw for E-10	1 *	143324-0-01		E-47	Wick	1 *	140317-0-00	
E-12	Spring for E-10	1 *	143325-0-01		E-48	Upper Knife Driving Arm	1 *	144072-0-01	
E-13	Adjuster for E-10	1 *	140277-0-01		E-49	Set Screw for D-51	1 *	107407-0-02	
E-14	Set Screw for E-13	2 pcs.	100541-0-02		E-50	Nut for E-51	1 *	140238-0-01	144071-0-01
E-15	Stopper Screw for E-10	1 pcc.	106069-0-03		E-51	Upper Knife Holder	1 *	144073-0-01	
E-16	Nut for D-15	1 *	110161-0-04		E-52	Set Screw 5.56 x 6	1 *	013750-6-14	
E-17	Presser Foot Lifter Link	1 *	143326-0-01		E-53	Set Collar E-48	1 *	140236-0-01	
E-18	Cotter Pin	1 *	110793-0-01		E-54	Bushing (Left) for E-48	1 *	140235-0-00	
E-19	Stop Ring	1 *	048080-3-46		E-55	Bushing (Right) for E-48	1 *	144117-0-00	
E-20	Presser Foot Lifter Inside Lever	1 *	143327-0-01		E-56	Upper Knife	1 *	144074-0-00	
E-21	Set Collar for E-25	1 *	140261-0-01		E-57	Set Bolt for E-56	1 *	144075-0-01	
E-22	Hexagonal Bolt	1 *	017771-4-12		E-58	Lower Knife Holder	1 *	144076-0-01	
E-23	Bushing (Right) for E-25	1 *	140262-0-00		E-59	Set Screw for E-58	1 *	120823-0-01	
E-24	Bushing (Left) for E-25	1 *	140263-0-00		E-60	Lower Knife	1 *	144077-0-01	
E-25	Presser Arm Shaft	1 *	140264-0-01		E-61	Lower Knife Holding Plate	1 *	117515-0-01	
E-26	Main Presser Arm	1 *	144087-0-01		E-62	Set Bolt for E-61	1 *	117516-0-01	
E-27	Stud Screw for E-26	1 *	140267-0-01		E-63	Spring for E-58	1 *	140246-0-01	
E-28	Main Presser Arm Stopper	1 *	144088-0-01		E-64	Lower Knife Holder Guide	1 *	144078-0-01	
E-29	Set Screw for E-28	1 *	107231-0-01		E-65	Set Screw for E-64	2 pcs.	101552-0-02	
E-30	Presser Foot (K)	1 *	140461-0-01		E-66	Spring Stopper	1 pcc.	140248-0-01	
E-31	Presser Foot Stitch Tongue (N)	1 *	144080-0-01		E-67	Set Screw for E-66	1 *	100541-0-02	
E-32	Presser Plate for E-31	1 *	144091-0-01						
E-33	Washer for E-32	1 *	110807-0-01	144089-0-01 (KNK)					
E-34	Set Screw for E-32	1 *	106766-0-03						
E-35	Presser Foot Chain Shield (K)	1 *	140463-0-01						
E-36	Set Screw for E-35	1 *	100105-0-02						

F



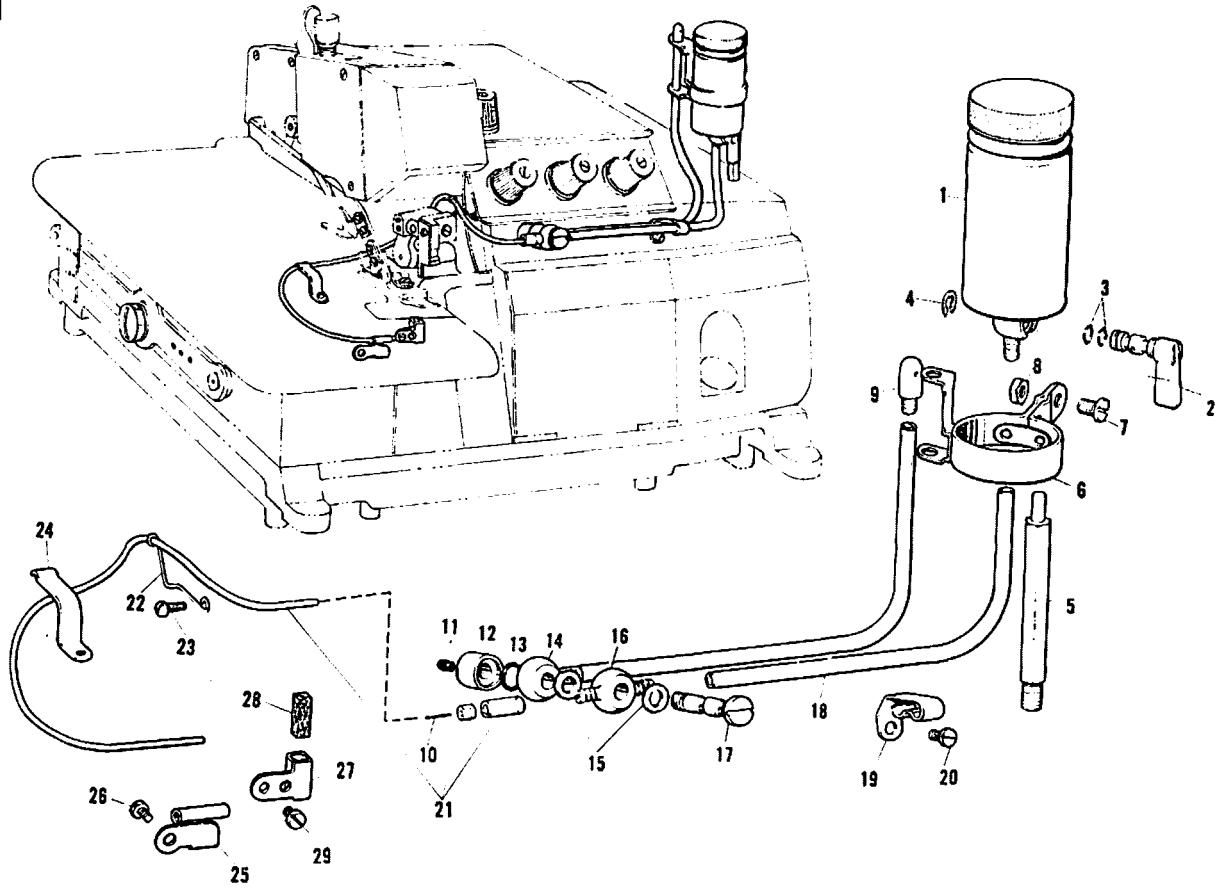
Ref. No.	Name of Parts	Qty	Parts-No.	Assembly No.	Ref. No.	Name of Parts	Qty	Parts-No.	Assembly No.
F-1	Needle Thread Guide Plate	1 pcc.	110813-0-01		F-23	Tension Disc Washer	2 pcs.	144103-0-01	
F-2	Tension Control Stud	2 pcs.	110820-0-01		F-24	Over Looper Thread Tension Adjusting Spring	1 pcc.	144109-0-01	
F-3	Felt for F-4	2 *	110832-0-01		F-25	Under Looper Thread Tension Adjusting Spring	1 *	144110-0-01	
F-4	Tension Disc	4 *	108721-0-01		F-26	Tension Spring Washer	2 pcs.	144105-0-00	
F-5	Tension Disc Washer	2 *	144103-0-01		F-27	Tension Adjusting Screw	2 *	144106-0-01	
F-6	Needle Thread Tension Adjusting Spring	2 *	144104-0-01		F-28	Looper Thread Guide	2 *	140281-0-01	
F-7	Tension Spring Washer	2 *	144105-0-00		F-29	Looper Thread Guide Holder	1 pcc.	144111-0-01	
F-8	Tension Adjusting Screw	2 *	144106-0-01		F-30	Thread Guide	2 pcs.	144112-0-01	
F-9	Needle Thread Guide (A)	1 pcc.	144107-0-01		F-31	Set Screw for F-30	2 *	100185-0-04	
F-10	Set Screw for F-9	1 *	403865-0-02		F-32	Under Looper Thread Take-up	1 pcc.	144113-0-01	
F-11	Needle Thread Take-up	1 *	144108-0-01		F-33	Over Looper Thread Take-up	1 *	144114-0-01	
F-12	Set Screw for F-11	1 *	009689-3-13		F-34	Set Bolt for F-32	1 *	144075-0-01	
F-13	Needle Thread Take-up Supporter	1 *	140102-0-01		F-35	Thread Guide Plate	1 *	144115-0-01	
F-14	Needle Thread Guard	1 *	112300-0-01	140737-0-01	F-36	Set Bolt for F-35	1 *	144075-0-01	
F-15	Stud Screw for F-14	1 *	112301-0-01						
F-16	Needle Thread Guard Spring	1 *	112299-0-01						
F-17	Needle Thread Guide (B)	1 *	140103-0-01						
F-18	Set Screw for F-17	1 *	100185-0-04						
F-19	Thread Guide Plate	1 *	140278-0-01						
F-20	Tension Control Stud	2 pcs.	110820-0-01						
F-21	Felt for F-22	2 *	110832-0-01						
F-22	Tension Disc	4 *	108721-0-01						

G



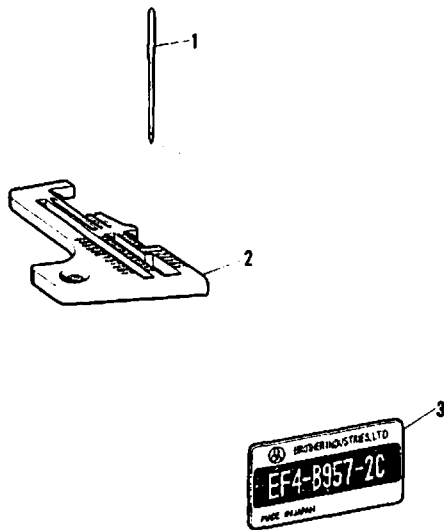
Ref. No.	Name of Parts	Qty	Parts No.	Assembly No.	Ref. No.	Name of Parts	Qty	Parts No.	Assembly No.
G-19	Oil Feeding Pipe (B)	1 pce.	112364-0-01		G-42	Worm Wheel	1 pce.	144619-0-00	
G-20	Packing for G-19	1 *	112348-0-01		G-43	Set Screw for G-42	1 pce.	100137-0-01	
G-21	Vinyl Tube (A)	1 *	140780-0-01		G-44	Washer for G-42	1 *	025350-3-32	
G-22	Oil Feeding Pipe (B)	1 *	112364-0-01		G-45	Pump Case	1 *	144618-0-00	
G-23	Packing for G-22	1 *	112348-0-01		G-46	Main Pump Gear Shaft	1 *	144620-0-01	
G-24	Vinyl Tube (B)	1 *	140781-0-01		G-47	Main Pump Gear	1 *	140305-0-01	
G-25	Main Oil Pipe	1 *	143534-0-01		G-48	Dowel Pin	1 *	144622-0-01	
G-26	Oil Cap	1 *	104833-0-01		G-49	Set Collar for G-46	1 *	104527-0-01	
G-27	Oil Cap	1 *	140325-0-00		G-50	Set Screw for G-49	2 pcs.	101706-0-01	144617-0-01
G-28	Set Screw for G-25	2 pcs.	100185-0-03		G-51	Subordinate Pump Shaft	1 *	144621-0-01	
G-29	Vinyl Tube (A)	1 pce.	140780-0-01		G-52	Subordinate Pump Gear	1 *	140468-0-01	
G-30	Oil Feeding Pipe (A)	1 *	112351-0-01		G-53	Pump Cover	1 *	144623-0-00	
G-31	Packing for G-30	1 *	112348-0-01		G-54	Oil Filter Gauze	1 *	144624-0-00	
G-32	Vinyl Tube (C)	1 *	140782-0-01		G-55	Oil Filter Flange	1 *	144625-0-00	
G-33	Pilot Pipe	1 *	140314-0-01		G-56	Set Screw for G-53	4 pcs.	000680-8-12	
G-34	Set Screw for G-33	1 *	100541-0-01		G-57	Set Screw for G-55	1 pce.	009689-4-12	
G-35	Vinyl Tube (D)	1 *	140778-0-01		G-58	Set Screw for G-45	2 *	105173-0-03	
G-36	Oil Feeding Pipe	1 *	112364-0-01		G-59	Pin 3 × 16 for G-45	2 *	508693-0-01	
G-37	Packing for G-36	1 *	112348-0-01						
G-38	Vinyl Tube (C)	1 *	140782-0-01						
G-39	Oil Pipe for Feed Rod	1 *	140764-0-01						
G-40	Set Screw for G-39	1 *	100185-0-03						
G-41	Tube Holder for G-38	1 *	140768-0-01						

H

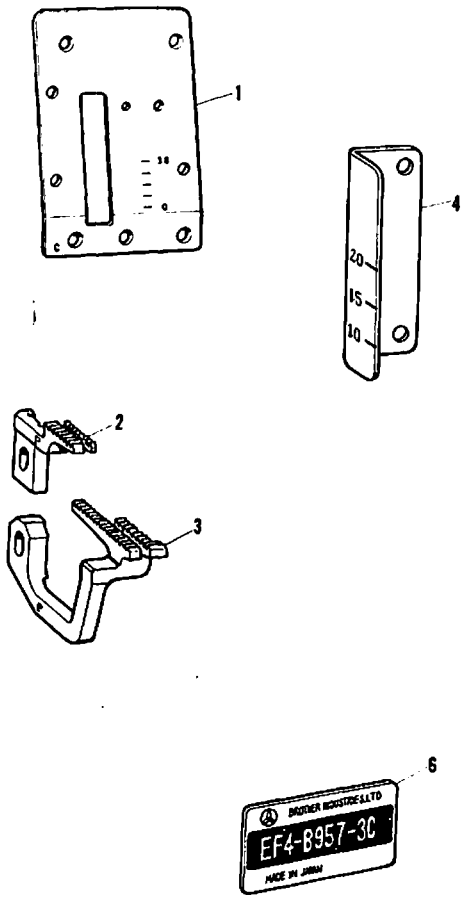


Ref. No.	Name of Parts	Qty	Parts-No.	Assembly No.	Ref. No.	Name of Parts	Qty	Parts-No.	Assembly No.
H-1	Oil Tank	1 pce.	142229-0-01		H-17	Oil Feeding Connector	1 pce.	142282-0-01	
H-2	Oil Cock	1 *	142330-0-01		H-18	Vinyl Tube	1 *	141657-0-00	
H-3	Packing for H-2	2 pcs.	081004-0-70		H-19	Vinyl Tube Holder	1 *	142284-0-01	
H-4	Stop Ring for H-2	1 pce.	048050-3-47		H-20	Set Screw for H-19	1 *	100185-0-04	
H-5	Oil Tank Holding Bolt	1 *	142316-0-01		H-21	Vinyl Tube	1 *	142287-0-00	
H-6	Oil Tank Holder	1 *	142787-0-01		H-22	Vinyl Tube Holder	1 *	142285-0-01	
H-7	Set Screw for H-6	2 pcs.	110191-0-01		H-23	Set Screw for H-22	1 *	009600-6-14	
H-8	Nut for H-7	2 *	110161-0-03		H-24	Vinyl Tube Stopper	1 *	142286-0-01	
H-9	Air Vent Receptacle	1 pce.	142321-0-01		H-25	Tube Guide	1 *	143760-0-01	
H-10	Cooler Oil Adjusting Pin	1 *	142412-0-00		H-26	Set Screw for H-25	1 *	100185-0-04	
H-11	Cap for H-12	1 *	140326-0-01		H-27	Felt Holder	1 *	144118-0-01	
H-12	Oil Feeding Connector Collar	1 *	142282-0-01		H-28	Felt	1 *	144119-0-01	
H-13	Packing for H-14	1 *	104564-0-01		H-29	Set Screw for H-27	2 pcs.	100035-0-01	
H-14	Vinyl Tube	1 *	142317-0-01						
H-15	Packing for H-16	2 pcs.	112348-0-01						
H-16	Oil Feeding Connector (Double)	1 pce.	142281-0-01						

I



J



PARTS LIST for EF4-B957-2C

This chart shows the different parts from Model EF4-B957-1C. Other parts are same as EF4-B957-1C.

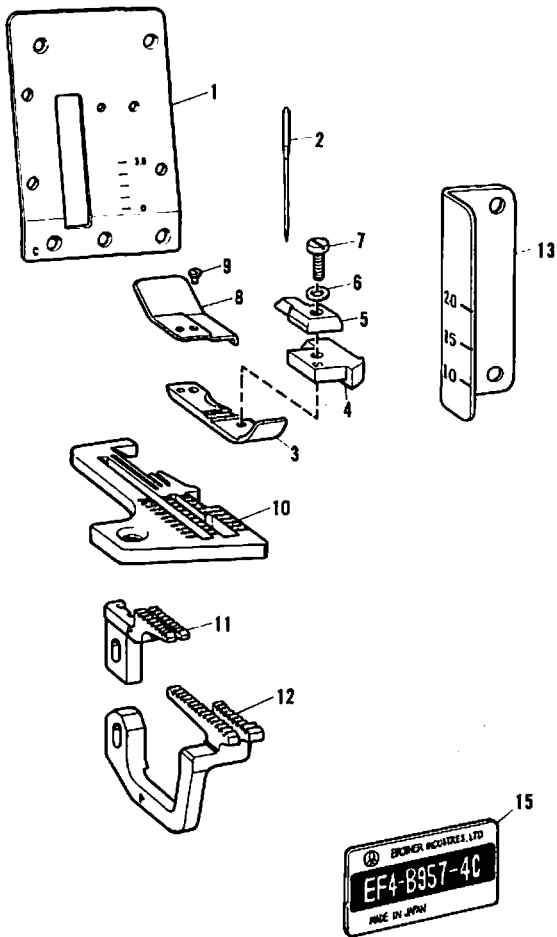
Ref. No.	Name of Parts	Qty	Parts No.	Assembly No.
I-1	Needle DC x 1 #11	2 pcs.	112297-0-11	
I-2	Needle Plate (P)	1 pce.	144021-0-01	
I-3	Model Plate (EF4-B957-2C)	1 *	144007-0-01	

PARTS LIST for EF4-B957-3C

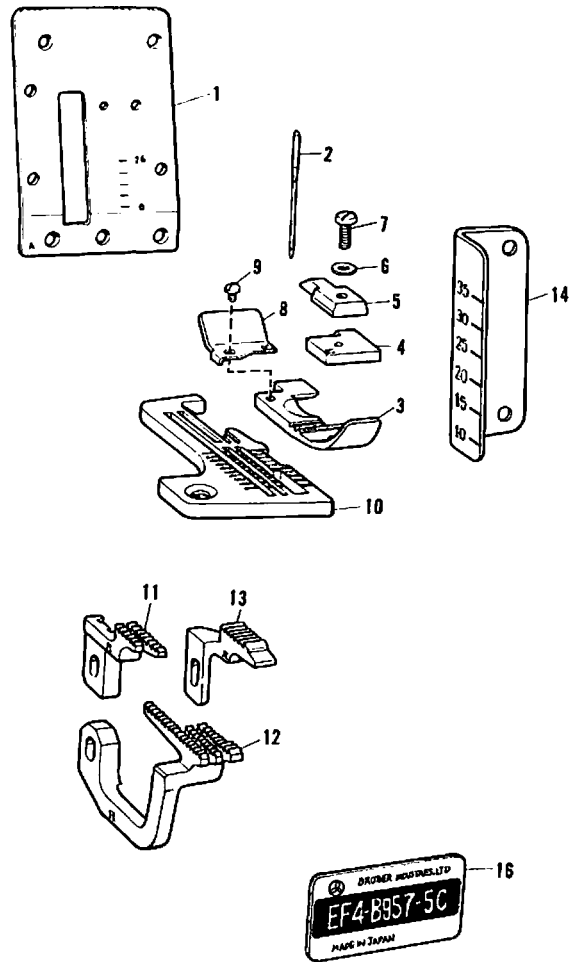
This chart shows the different parts from Model EF4-B957-1C. Other parts are same as EF4-B957-1C.

Ref. No.	Name of Parts	Qty	Parts No.	Assembly No.
J-1	Face Plate (C)	1 pce.	144612-0-01	
J-2	Main Feed Dog (P)	1 *	144062-0-01	
J-3	Differential Feed Dog (P)	1 *	144065-0-01	
J-4	Differential Stitch Control (B)	1 *	144065-0-01	
J-6	Model Plate (EF4-B957-3C)	1 *	144008-0-01	

K



L



PARTS LIST for EF4-B957-4C

PARTS LIST for EF4-B957-5C

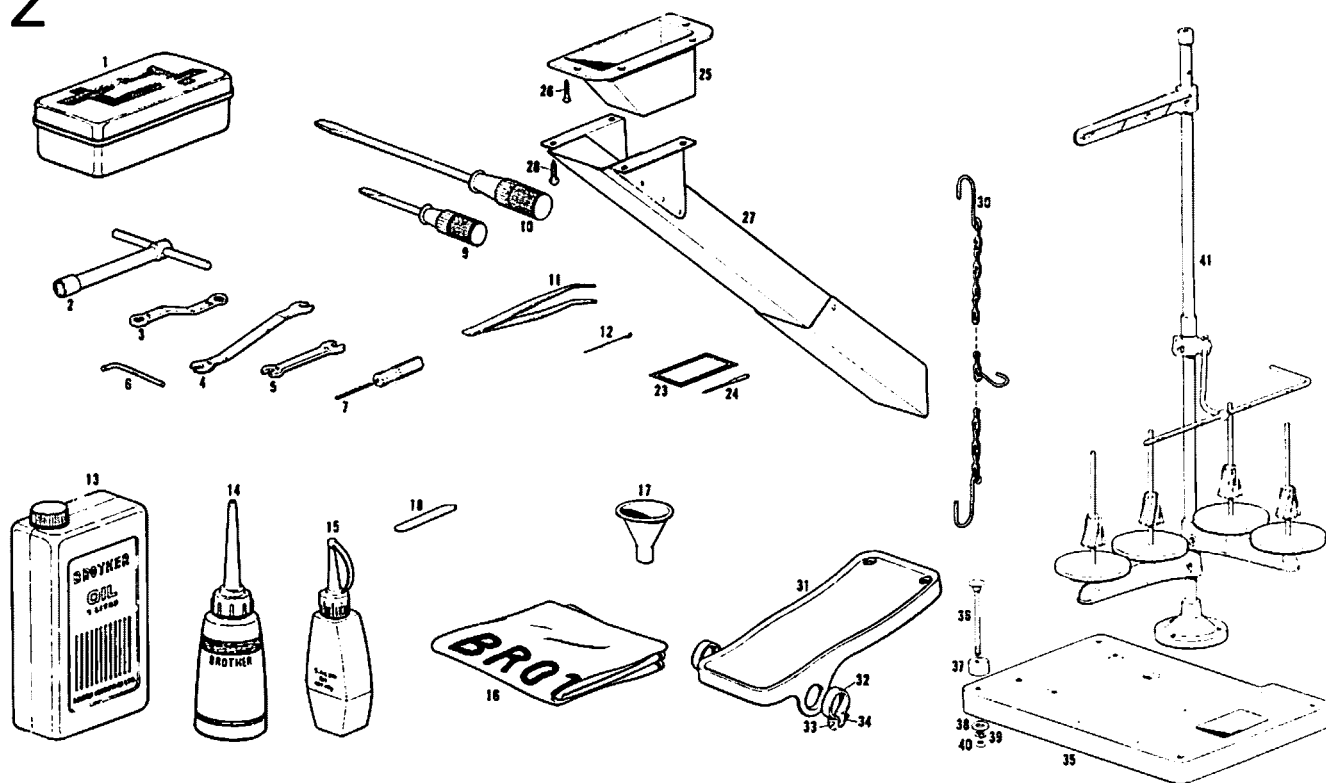
This chart shows the different parts from Model EF4-B957-1C. Other parts are same as EF4-B957-1C.

Ref. No.	Name of Parts	Qty	Parts-No.	Assembly No.
K-1	Face Plate (C)	1 pce.	144612-0-01	
K-2	Needle DC × 1 #11	2 pcs.	112297-0-11	
K-3	Presser Foot (K)	1 pce.	140461-0-01	
K-4	Presser Foot Stitch Tongue (S)	1 *	144102-0-01	
K-5	Presser Plate for K-4	1 *	144091-0-01	
K-6	Washer for K-7	1 *	110807-0-01	144101-0-01
K-7	Set Screw for K-5	1 *	106766-0-03	(KSK)
K-8	Presser Foot Chain Shield (K)	1 *	140463-0-01	
K-9	Set Screw for K-8	1 *	100105-0-02	
K-10	Needle Plate (KE)	1 *	144024-0-01	
K-11	Main Feed Dog (P)	1 *	144062-0-01	
K-12	Differential Feed Dog (P)	1 *	144065-0-01	
K-13	Differential Stitch Control (B)	1 *	144095-0-01	
K-15	Model Plate (EF4-B957-4C)	1 *	144009-0-01	

This chart shows the different parts from Model EF4-B957-1C. Other parts are same as EF4-B957-1C.

Ref. No.	Name of Parts	Qty	Parts-No.	Assembly No.
L-1	Face Plate (A)	1 pce.	143995-0-01	
L-2	Needle DC × 1 #14	2 pcs.	112297-0-14	
L-3	Presser Foot (R)	1 pce.	144098-0-01	
L-4	Presser Foot Stitch Tongue (R)	1 *	144099-0-01	
L-5	Presser Plate for L-4	1 *	144091-0-01	
L-6	Washer for L-7	1 *	110807-0-01	144097-0-01
L-7	Set Screw for L-5	1 *	106766-0-03	(RRR)
L-8	Presser Foot Chain Shield (R)	1 *	144100-0-01	
L-9	Set Screw for L-8	1 *	100105-0-02	
L-10	Needle Plate (R)	1 *	144022-0-01	
L-11	Main Feed Dog (R)	1 *	144063-0-01	
L-12	Differential Feed Dog (R)	1 *	144066-0-01	
L-13	Chain Feed Dog (R)	1 *	144069-0-01	
L-14	Differential Stitch Control (A)	1 *	144094-0-01	
L-16	Model Plate (EF4-B957-5C)	1 *	144010-0-01	

Z



Accessories Part-list for EF4-B957

Ref. No.	Name of Parts	Qty	Parts-No.	Assembly No.	Ref. No.	Name of Parts	Qty	Parts-No.	Assembly No.
●Z-1	Accessory Box	1 pce.	110436-0-01		●Z-23	Needle Bag	1 pce.	108962-0-01	
Z-2	Box Wrench	1	140342-0-01		●Z-24	Needle DC × 1	10 pcs.	112297-	
●Z-3	Spanner 8×9	1	105343-0-01		Z-25	Duster Drop	1 pce.	140738-0-01	
●Z-4	Wrench 8×8	1	143566-0-01		Z-26	Set Screw for Z-25	4 pcs.	101735-0-01	
●Z-5	Wrench 6×7	1	107779-0-01		Z-27	Duster shoot	1 pce.	140792-0-01	
●Z-6	Hexagon Wrench Key 2	1	144125-0-01		Z-28	Set Screw for Z-27	4 pcs.	031451-6-03	
●Z-7	Allen driver Wrench 1.6	1	144124-0-01		Z-30	Chain (B)	1 pce.	106812-0-01	
●Z-9	Screw driver 5.5×75	1	102629-0-04		Z-31	Foot Pedal	1	117437-0-01	
Z-10	Screw driver 5.5×200	1	101572-0-01		Z-32	Foot Pedal Stopper	2 pcs.	116016-0-01	
●Z-11	Tweezer	1	117466-0-00		Z-33	Set Screw	2 *	001401-4-06	
●Z-12	Thread Guide	3 pcs.	142125-0-00		Z-34	Nut	2 *	021400-1-06	
Z-13	Oil	1 pce.	145277-0-01		Z-35	Wooden Plate for Machine head	1 pce.	142334-0-01	
Z-14	Oiler	1	114483-0-01		Z-36	Bolt	4 pcs.	140738-0-01	
Z-15	Needle Cooler Oil	1	142343-0-01		Z-37	Collar	4 *	140739-0-01	
Z-16	Need Cover	1	144225-0-01		Z-38	Washer	4 *	025080-3-36	
Z-17	Funnel	1	140759-0-00		Z-39	Spring Washer	4 *	028080-2-43	
●Z-18	Lower Knife	1	118527-0-01		Z-40	Nut	4 *	021080-1-06	
					Z-41	Cotton Stand (No. 3 T10)	1 pce.	142977-0-01	

Remarks:

※The parts with mark (●) are in accessory box.

※The following parts are enclosed in the accessory for our packing convenience.

Ref. No. A-65, A-66, A-67, A-68, A-71, A-75



118-957
192957-0-15
Printed in Japan

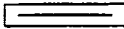
パーツブックご利用に際して

1. この本は、この本の表紙(正誤表の挿入されている場合は正誤表)に記載されているものと同じプレートが取り付けられているミシンのためのものです。
2. 部品コード欄が となっている部品は補給いたしません。ただし、組コードが記載されているものは、組部品として補給いたしますので組コードで、ご注文下さい。
3. この本は1987年11月のデータに基づいて作成されたものです。
4. 部品は予告なしに設計変更される場合があります。

目 次

A. 主体関係(1)	1	S. 糸払い関係	17
A. 主体関係(2)	2	a. 起動装置関係	18
B. クラッチ関係(1)	3	b. ボタンフィーダ関係(1)	19
B. クラッチ関係(2)	4	b. ボタンフィーダ関係(2)	20
C. 上軸・針棒関係	5	b. ボタンフィーダ関係(3)	20
D. 動車・遊車関係	6	b. ボタンフィーダ関係(4)	21
E. パワー押エ関係	6	b. ボタンフィーダ関係(5)	22
F. 送り関係	7	b. ボタンフィーダ関係(6)	23
G. 押エ上げ関係	8	b. ボタンフィーダ関係(7)	24
H. ボタンツマミ作動関係	9	b. ボタンフィーダ関係(8)	25
J. カム伝導関係	10	c. ボタン検知関係	25
K. 下軸関係	11	d. フィーダー関係	26
L. 給油・潤滑関係(1)	12	e. コントローラホース関係	27
L. 給油・潤滑関係(2)	13	f. 電装品関係	28
M. 糸通シ関係	14	Z. 付属品関係1	29
N. 糸巻き関係	15	Z. 付属品関係2	30
P. 糸締メ関係	15	特別注文部品	30
Q. 糸切り関係	16	ゲージパーツリスト	31
R. 糸ユルメ関係	17	索 引	33

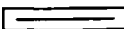
Notes for using this parts book

1. This book is applicable to sewing machines which have the same plate number as shown on the cover of this book (or correction sheet).
2. The symbol  in the "Parts No." column indicates that the parts is not available for supply. If, however, there is a number in the "Assembly No." column, the parts can be ordered as an assembly. Please, therefore, order by using the assembly number.
3. This book was prepared based on information available in November 1987.
4. Parts are subject to changes in design without prior notice.

CONTENTS

A. Machine body (1)	1	S. Tread wiper mechanism	17
A. Machine body (2)	2	a. Starting device mechanism	18
B. Clutch mechanism (1)	3	b. Button feeder mechanism (1)	19
B. Clutch mechanism (2)	4	b. Button feeder mechanism (2)	20
C. Upper shaft and needle bar mechanism	5	b. Button feeder mechanism (3)	20
D. Drive pulley and idler pulley mechanism	6	b. Button feeder mechanism (4)	21
E. Power lift mechanism	6	b. Button feeder mechanism (5)	22
F. Feed mechanism	7	b. Button feeder mechanism (6)	23
G. Work clamp lifter mechanism	8	b. Button feeder mechanism (7)	24
H. Button clamp mechanism	9	b. Button feeder mechanism (8)	25
J. Feed cam mechanism	10	c. Button detector mechanism	25
K. Lower shaft mechanism	11	d. Button sortor mechanism	26
L. Lubrication (1)	12	e. Control box mechanism	27
L. Lubrication (2)	13	f. Power supply equipment mechanism	28
M. Threading mechanism	14	Z. Accessories (1)	29
N. Bobbin winder mechanism	15	Z. Accessories (2)	30
P. Thread nipper mechanism	15	OPTION PARTS	30
Q. Thread trimmer mechanism	16	GAUGE PARTS LIST	31
R. Tension Release mechanism	17	INDEX	33

Anmerkungen zum Gebrauch dieses Stücklistebuches

1. Dieses Buch bezieht sich auf die Nähmaschinen mit derselben Kennungsnummer wie auf diesem Buchumschlag (oder auf dem Korrekturblatt).
2. Dieses Zeichen  in der Spalte "Teilnummer" bedeutet, daß dieser Teil nicht lieferbar ist. Wenn jedoch in der Spalte "Gerätesatznummer" eine Nummer steht, kann dieser Teil als ein Geräteteilsatz bestellt werden. Bestellen Sie daher bitte mit dieser Gerätesatznummer.
3. Dieses Buch basiert auf den Informationen vom November 1987.
4. Modelländerungen sind vorbehalten.

INHALTSVERZEICHNIS

A. Maschinengehäuse (1)	1	S. Fadenwischvorrichtung	17
A. Maschinengehäuse (2)	2	a. Startvorrichtung	18
B. Kupplungsvorrichtung (1)	3	b. Knopfführungsvorrichtung (1)	19
B. Kupplungsvorrichtung (2)	4	b. Knopfführungsvorrichtung (2)	20
C. Obere Welle und Nadelstange	5	b. Knopfführungsvorrichtung (3)	20
D. Antriebsriemenscheibe und Riemenscheibe	6	b. Knopfführungsvorrichtung (4)	21
E. Heberbetätigungsvorrichtung	6	b. Knopfführungsvorrichtung (5)	22
F. Transportvorrichtung	7	b. Knopfführungsvorrichtung (6)	23
G. Stoffhalterhebevorrichtung	8	b. Knopfführungsvorrichtung (7)	24
H. Knopffalteinrichtung	9	b. Knopfführungsvorrichtung (8)	25
J. Vertikale Welle	10	c. Knopfdetektor	25
K. Untere Welle	11	d. Knopfsortierer	26
L. Schmierung (1)	12	e. Schaltkasten	27
L. Schmierung (2)	13	f. Stromversorgung	28
M. Fadenführungsvorrichtung	14	Z. Zubehör (1)	29
N. Spuler	15	Z. Zubehör (2)	30
P. Fadenspannvorrichtung	15	SONDERZUBEHÖR	30
Q. Fadenabschneidevorrichtung	16	LEHRENLISTE	31
R. Spannungsverminderung	17	VERZEICHNIS	33

Notes sur l'utilisation de ce manuel de pièces détachées

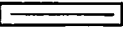
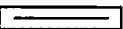
1. Ce manuel est destiné aux machines à coudre ayant le même numéro de plaque montré sur la couverture de ce manuel (ou sur la feuille de corrections).
2. Le symbole  dans la colonne "N° de pièce" signifie que la pièce ne peut être fournie. Si, dans la colonne "N° jeu de pcs", il y a un numéro de nomenclature, la pièce peut être commandée comme faisant partie d'un jeu pièces. Donc, pour toute commande, veuillez spécifier le n° du jeu de pièces.
3. Ce manuel a été fait d'après les renseignements valables au mois de Novembre 1987.
4. Les pièces peuvent être sujettes à des modifications sans préavis.

TABLE DES MATIERES

A. Corps de la machine (1)	1	R. Mécanisme de relâche-tension	17
A. Corps de la machine (2)	2	S. Mécanisme de tire-fil	17
B. Mécanisme de l'embrayage (1)	3	a. Mécanisme de dispositif de démarrage	18
B. Mécanisme de l'embrayage (2)	4	b. Alimentation pour boutons (1)	19
C. Mécanisme de arbre supérieur et barre à aiguille	5	b. Alimentation pour boutons (2)	20
D. Mécanisme de poulie d'entraînement et poulie folle	6	b. Alimentation pour boutons (3)	20
E. Mécanisme de leueur	6	b. Alimentation pour boutons (4)	21
F. Mécanisme de l'entraînement	7	b. Alimentation pour boutons (5)	22
G. Mécanisme de leueur du pinceur	8	b. Alimentation pour boutons (6)	23
H. Mécanisme du pince-boutons	9	b. Alimentation pour boutons (7)	24
J. Mécanisme d'arbre vertical	10	b. Alimentation pour boutons (8)	25
K. Mécanisme de l'arbre inférieur	11	c. Détecteur de bouton	25
L. Lubrification (1)	12	d. Trieur de bouton	26
L. Lubrification (2)	13	e. Mécanisme du boîtier de contrôle	27
M. Mécanisme de l'enfilage	14	f. Mécanisme de léquipement en alimentation électrique	28
N. Mécanisme de bobineur	15	Z. Accessoires (1)	29
P. Mécanisme de pince-fil	15	Z. Accessoires (2)	30
O. Mécanisme de coupe-fil	16	PIEZAS OPCION	30
		LISTE DES PIECES D'ECARTEMENT	31
		INDEX	33

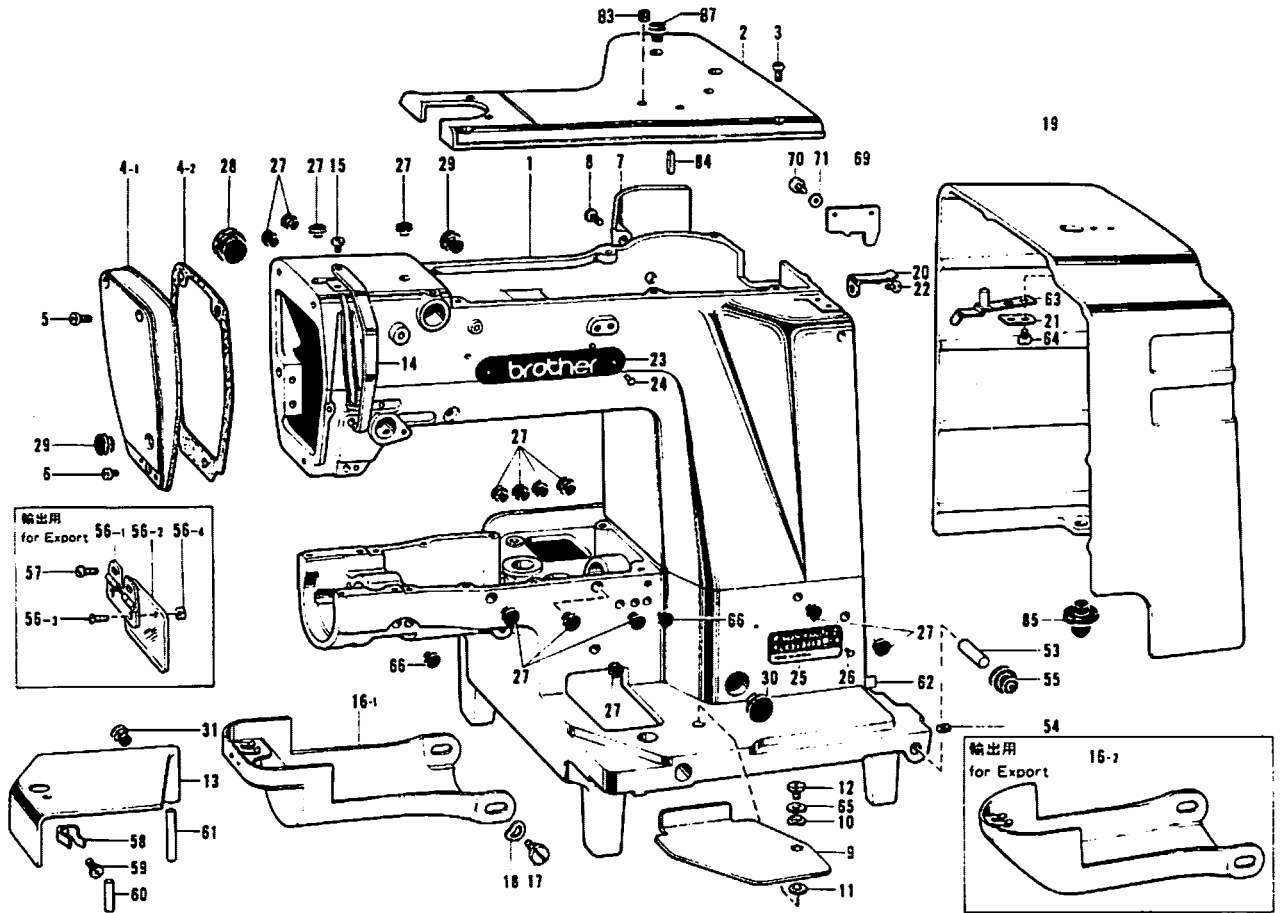
Notas para usar este Libro de Piezas

1. Este libro sirve para todas las máquinas de coser que llevan la misma placa de identificación que la que se puede ver en la tapa de este libro (o en la hoja de erratas).
2. El símbolo , que se encuentra en la columna del "Número de Pieza", quiere decir que no se dispone de dicha pieza sola. Cuando, empero, hay un número en la columna del "Número de Juego", se podrá ordenar la pieza con todo el juego. Por lo tanto, será mejor hacer el pedido recurriendo al número del juego respectivo.
3. Este libro ha sido compilado basándose en los datos de que se disponía en noviembre 1987.
4. Las piezas quedan sujetas a cambios de diseño sin aviso previo.

INDICE

A. Cuerpo de la máquina (1)	1	R. Mecanismo de liberador de tensión	17
A. Cuerpo de la máquina (2)	2	S. Mecanismo de limpiador de hilos	17
B. Mecanismo de embraque (1)	3	a. Mecanismo del dispositivo de arranque	18
B. Mecanismo de embraque (2)	4	b. Botón de alimentación (1)	19
C. Mecanismo de eje superior y barra de aguja	5	b. Botón de alimentación (2)	20
D. Mecanismo de polea impulsora y polea tensora	6	b. Botón de alimentación (3)	20
E. Mecanismo de carrera de potencia	6	b. Botón de alimentación (4)	21
F. Mecanismo de la alimentación	7	b. Botón de alimentación (5)	22
G. Mecanismo de levantador de ménsula de trabajo	8	b. Botón de alimentación (6)	23
H. Mecanismo de la ménsula de resorte	9	b. Botón de alimentación (7)	24
J. Mecanismo de eje vertical	10	b. Botón de alimentación (8)	25
K. Mecanismo de la eje inferior	11	c. Detector de botones	25
L. Lubricación (1)	12	d. Clasificador de botones	26
L. Lubricación (2)	13	e. Mecanismo del caja de controles	27
M. Mecanismo de la enhebrado	14	f. Mecanismo de la equipo de alimentacion de corriente	28
N. Mecanismo del devanador de la canilla	15	Z. Accesorios (1)	29
P. Mecanismo de mordaza para hilos	15	Z. Accesorios (2)	30
Q. Mecanismo de recortadora de orillos	16	PIECES EN OPTION	30
		LISTA DE PIEZAS CALIBRADORAS	31
		INDICE	33

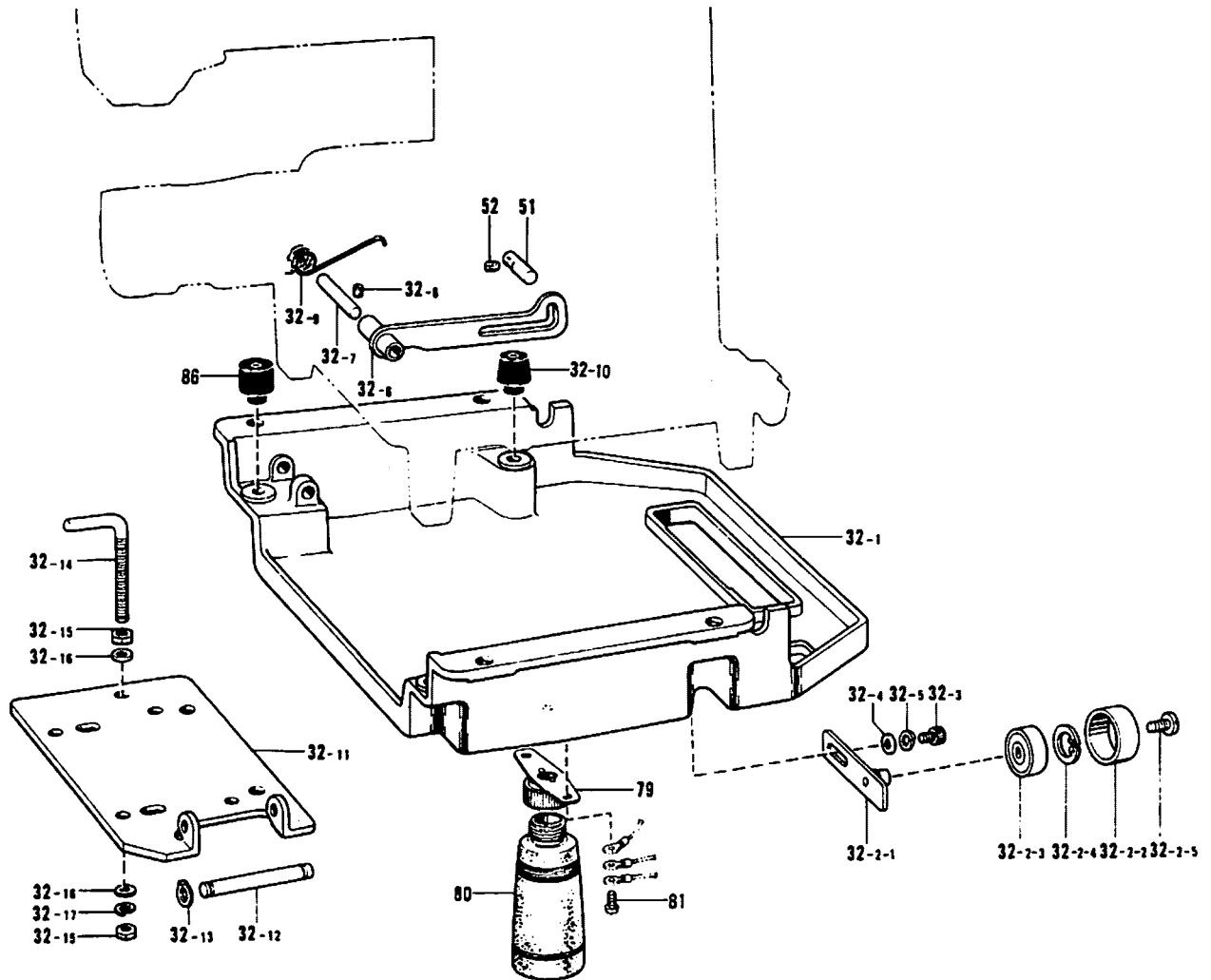
A. 主体関係(1) / Machine body (1) / Maschinengehäuse (1)
 Corps de la machine (1) / Cuerpo de la máquina (1)



部材番号 Ref No	品名 Name of Parts	数量 Qty	部品コード Parts No
1	アームベントクミ	1	
2	ワフタ	1	S07977-001
3	アヘコ595-78×14	6	062761-412
4	フェイスタクミ	1	152831-006
4-1	フェイス	1	152832-106
4-2	フェイスパッキン	1	152833-001
5	アヘコ476×14	2	062711-412
6	アヘコ476-32×7	1	062710-712
7	ソクモンカバー	1	S07978-001
8	アヘコ476-37×14	4	062711-412
9	ヘッドカバー-R	1	152835-006
10	ナミハネ	1	100315-002
11	ヒラサカネショウフ6 35	1	025170-232
12	タンネシ6 35	1	145480-001
13	ヘッドカバー-Lタクミ	1	152836-006
14	スレッドカバー	1	152841-003
15	アヘコ357-40×8	1	062670-812
15-1	オオカマカバータクミC	1	S01888-006
15-2	シャトルレースカバー	1	152842-006
17	タンネシ5 95	2	115493-002
18	ナミハネサカネ	2	109239-002
19	ベルトカバー	1	152846-006
20	ベルトカバー-ハネウケ	1	152989-001
21	ベルトカバー-ハネサカエ	1	152986-001
22	アヘコ437-40×8	1	062680-812
23	フタナーネームイタ	2	
24	トメピン	4	
25	セイシキイタ448	1	
26	トメピン	2	
27	メクラセン	14	117936-001

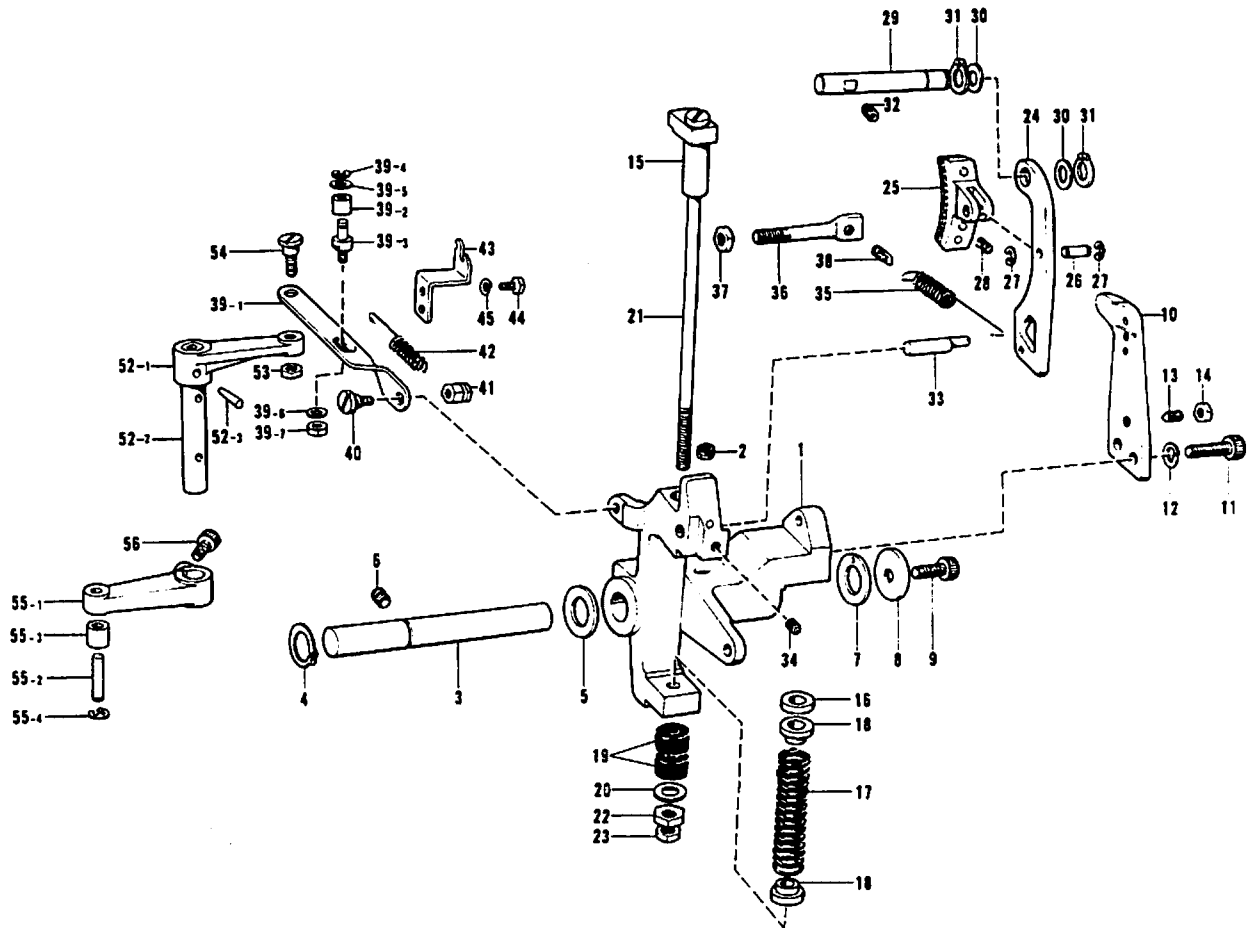
部材番号 Ref No	品名 Name of Parts	数量 Qty	部品コード Parts No
28	オイルフタ	1	140392-001
29	メクラセン	2	117934-001
30	メクラセン	1	108520-001
31	メクラセン	1	104450-101
53	ヘッドピンシク	2	152867-000
54	トメネシ5 95	2	151604-002
55	ヘッドピンシクパッキン	2	152868-000
56	アイガード	1	153100-000
56-1	アイガード	1	153102-001
56-2	アイガード	1	153098-000
56-3	スクリーン 3 5'	2	102538-001
56-4	ナット 3 5'	2	106129-001
57	スクリーン 35 2.5	2	062670-512
58	ヘッドカバー-スタッド	1	114985-001
59	アヘコ437-40×6	1	062680-612
60	グロウブP	1	152838-001
61	ヘッドカバー-シク	1	152839-001
62	シヨウラヘル	1	153056-102
63	ベルトカバー-パネ	1	152848-001
64	アヘコ437-40×8	2	062680-812
65	ヒラサカネショウフ8	1	025080-132
66	メクラセン	2	104450-101
69	ハリカスクリカエキ	1	153846-001
70	アヘコ437-40×6	2	062680-612
71	ヒラサカネショウフ4 37	2	025680-132
83	フェルト	1	154785-000
84	スプリングピンAW5	1	047501-242
85	ヘッドカバー-コムサ	2	152847-000
87	オイルメクラセン	1	111865-001

A. 主体関係(2)/ Machine body (2) / Maschinengehäuse (2)
 Corps de la machine (2) / Cuerpo de la máquina (2)



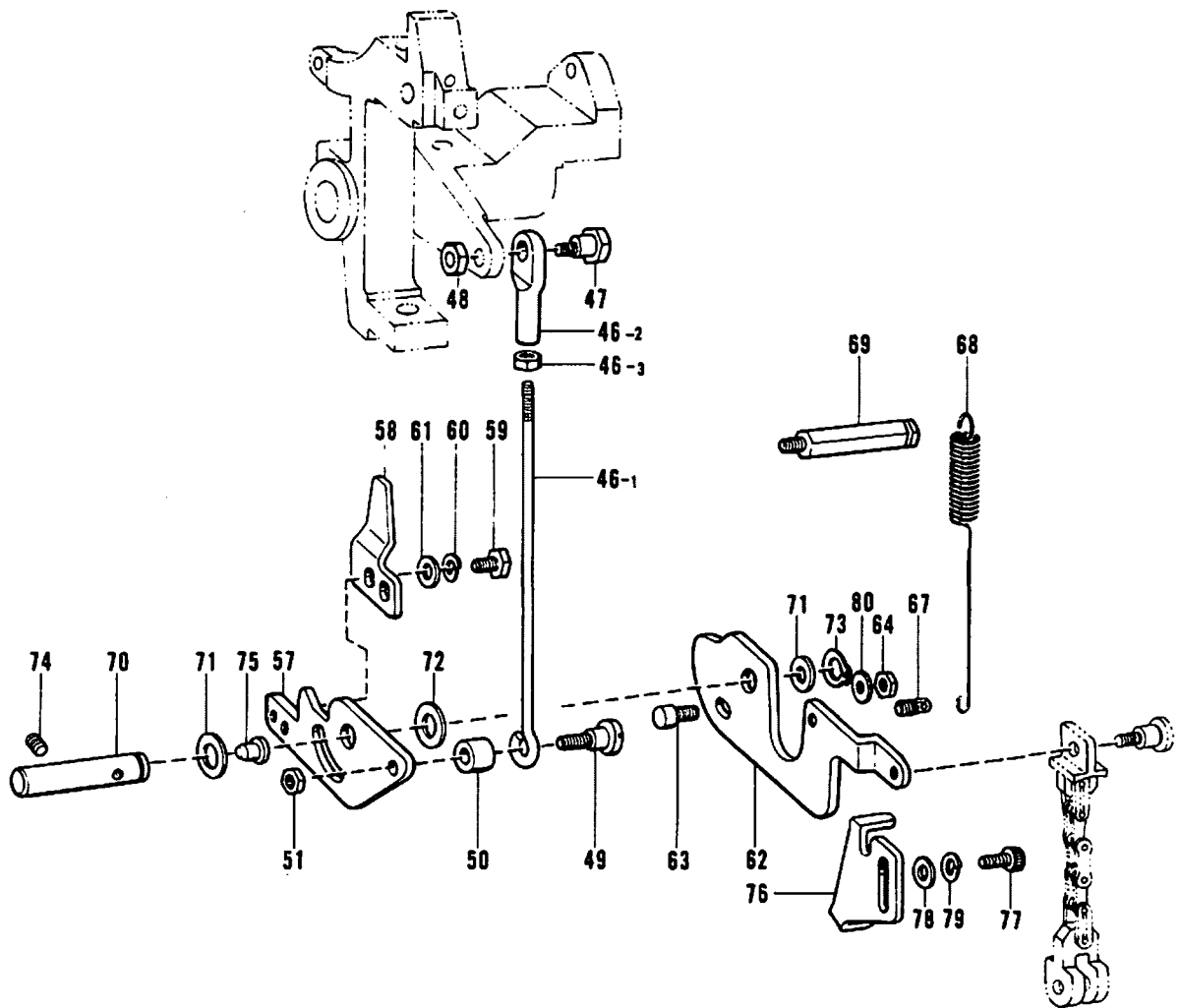
参照番号 Ref No	品名 Name of Parts	個数 Qty	部品コード Parts No	参照番号 Ref No	品名 Name of Parts	個数 Qty	部品コード Parts No
32	オイルパン組	1	S10777-001	37-10	ヘッドクッション	2	152860-001
32-1	オイルパン	1	154738-101	32-11	モータータイ	1	152861-101
32-2	テンションプーリ組	1	152852-101	37-12	モータータイシク	1	152862-001
32-2-1	テンションプーリタイ	1		37-13	トメワシクヨウC10	2	048100-142
32-2-2	テンションプーリ	1		32-14	LカタホルトM10	1	152865-101
32-2-3	タマシクウケ6201VV	1		32-15	ナットJシユ10	2	021100-202
32-2-4	トメワアアヨウC37	1	048320-242	32-16	ヒラサカネシユウ10	2	025100-132
32-2-5	シメネシ6 35	1	141860-001	37-17	ハネサカネ7-10	1	028100-242
32-3	アナボルト8×12	1	018001-222	51	トウフササエピン	1	152866-001
32-4	ヒラサカネチユウ8	1	025080-232	52	トメネシ5 95クボミ	1	013760-612
32-5	ハネサカネ7-8	1	028080-242	79	ハイユキャップササエクミ	1	154465-001
32-6	トウフササエレバー	1	152857-001	80	ポリオイラータイ	1	114486-002
32-7	トウフササエレバーシク	1	152858-001	81	ナベコ476-32×10	2	062711-012
32-8	トメネシ4 16クボミ	1	013719-412	86	ヘッドカンヤ	2	507979-001
32-9	トウフササエレバーバネ	1	152859-001				

B. クラッチ関係(1) / Clutch mechanism (1) / Kupplungsvorrichtung (1)
 Mécanisme de l'embrayage (1) / Mecanismo de embrague (1)



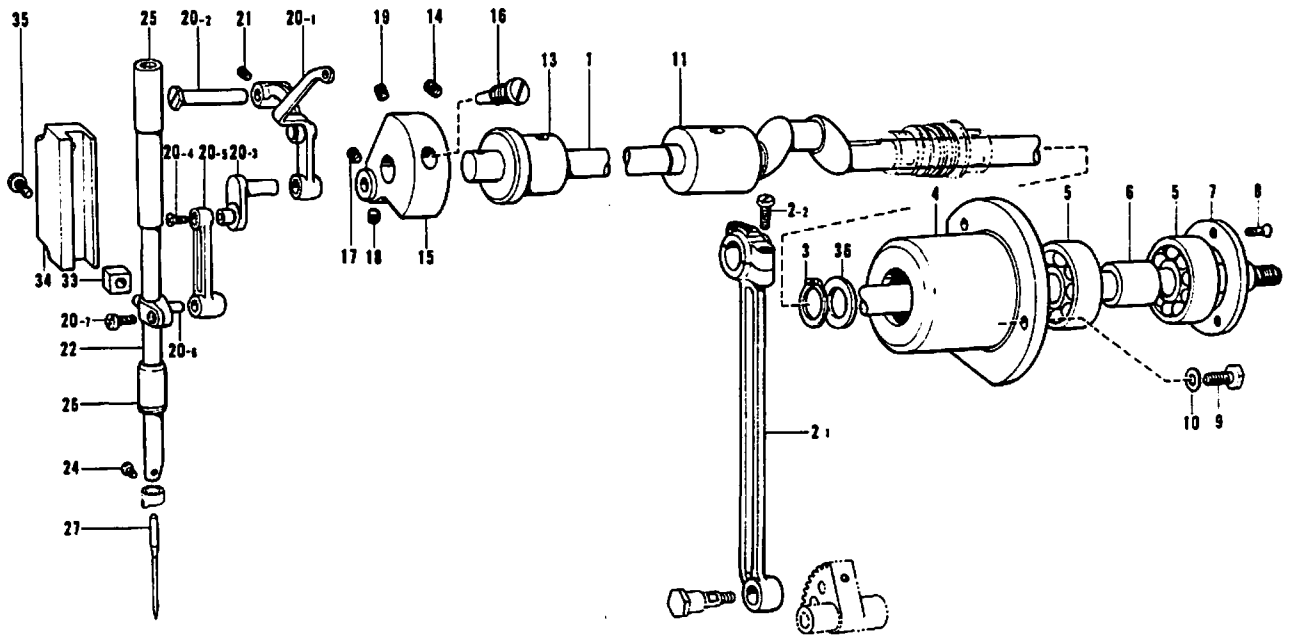
参照番号 Ref No	品名 Name of Parts	数量 Qty	部品コード Parts No	参照番号 Ref No	品名 Name of Parts	数量 Qty	部品コード Parts No
1	クラッチレバー	1	151886-001	33	ブレーキサイドピン	1	151901-001
2	クラッチフェルト	1	151927-001	34	アナトメネジ 95クホミ	1	014760-622
3	クラッチレバーシャフト	1	151887-001	35	ブレーキハネ	1	151902-001
4	トメワC11	1	048180-142	36	ブレーキハネカケネジ	1	151903-001
5	スラストサカナ18	1	152756-001	37	ナット 7 94	1	106147-002
6	アナトメネジ 94クホミ	1	014821-022	38	モノオサエウチハネカケ	1	110251-001
7	スラストサカナ18	1	151929-000	39	クラッチレバーレンカンクミ	1	151904-101
8	スラストサカナ8	1	152728-001	39-1	クラッチレバーレンカン	1	151905-101
9	アナホルト 8x15	1	151163-001	39-2	コロ	1	107744-001
10	ボールオサエイタ	1	151888-101	39-3	レンカンコロシク	1	151906-101
11	アナホルト 8x25	2	018082-522	39-4	トメワE3	1	048030-342
12	ハネサカナ2-8	2	028080-242	39-5	サカナ	1	113431-002
13	トメネジ 6 35	1	115012-002	39-6	ヒラサカナシヨウ 4 37	1	025680-132
14	ナット 6 35	1	150554-002	39-7	ナット 7 シュ 4 37	1	021680-202
15	ストノバタイ	1	151889-001	40	タンネジ 95	1	151907-001
16	ストップゴム	1	151890-000	41	ナット 5 95	1	151908-001
17	クラッチバネ	1	151891-001	42	クラッチレバーバネ	1	155501-001
18	ハネウケ	2	151892-001	43	クラッチレバーハネカケ	1	151910-001
19	カンシヨウゴム	2	115018-001	44	ホルト 4 16x14	2	017711-412
20	ヒラサカナダイ 14	1	025800-332	45	ハネサカナ2-5	2	028050-242
21	ストノバシク	1	151893-001	52	クラッチサードレハークミ	1	151915-001
22	ナット 1 シュ 7 14	1	021800-102	52-1	クラッチサードレハークミ	1	
23	ナット 7 14	1	104689-002	52-2	クラッチサードレハークミ	1	
24	ブレーキレバー	1	151894-101	52-3	テーパピン	1	107030-001
25	ブレーキクミ	1	151895-000	53	ナット 5 95	1	150553-001
26	ブレーキシク	1	151898-001	54	タンネジ 95	1	151907-001
27	トメワE4	2	048040-342	55	クラッチカムレハークミ	1	151939-001
28	ブレーキシユハネ	1	151899-001	55-1	クラッチカムレハークミ	1	
29	ブレーキレハークミ	1	151900-001	55-2	コロシク	1	152913-001
30	スイヘイオクリクランクリンク	2	142628-001	55-3	コロ	1	152914-001
31	トメワシクヨウC11	2	048110-142	55-4	トメワE4	1	048040-342
32	トメネジ 95クホミ	1	013761-410	56	アナホルト 6x20	1	018062-022

B. クラッチ関係(2) / Clutch mechanism (2) / Kupplungsvorrichtung (2)
 Mécanisme de l'embrayage (2) / Mecanismo de embrague (2)



参照番号 Ref No	品名 Name of Parts	数量 Qty	部品コード Parts No	参照番号 Ref No	品名 Name of Parts	数量 Qty	部品コード Parts No
46	チョウセツロッド組	1	152808-101	64	ナット S 95	1	150553-001
46-1	オサエアケチョウセツロッド	1	154332-001	67	スプリングハネ	1	110251-001
46-2	オサエアケチョウセツツギ	1	154333-001	68	サトールハーバネ	1	151923-001
46-3	ナット 6 35	1	150556-001	69	サトールハーバネ	1	151924-001
47	ヘンシタンネジ 6 35	1	151912-001	70	キートレバースhaft	1	151925-001
48	ナット 6 35	1	150556-001	71	スイヘイオクリクランクリンク	2	142628-001
49	タンネジ 6 35	1	151913-001	72	ワカネ	1	110505-001
50	カラー 13	1	151914-001	73	ストップリング C11	1	048110-142
51	ナット 6 35	1	150556-001	74	アタメネジ S 95クホニ	1	014760-622
57	キートレバー	1	151919-101	75	オイルメクラセン	1	111865-001
58	キートレセーフレバー	1	151920-001	76	キートストップ	1	155500-001
59	ボルト 4 76x14	2	017711-412	77	アタボルト 6x16	2	018061-622
60	ハネサカネ 7-5	2	028050-242	78	ヒラサカネ 7-6	2	025060-132
61	ワカネ	2	113431-002	79	ハネサカネ 7-6	2	028060-242
62	スタートレバー	1	155499-001	80	ヒラサカネ 7-6	1	025060-232
63	ストップネジ	1	154155-101				

C. 上軸・針棒関係 / Upper shaft and needle bar mechanism / Obere Welle und Nadelstange
 Mécanisme de arbre supérieur et barre à aiguille / Mecanismo de eje superior y barra de aguja



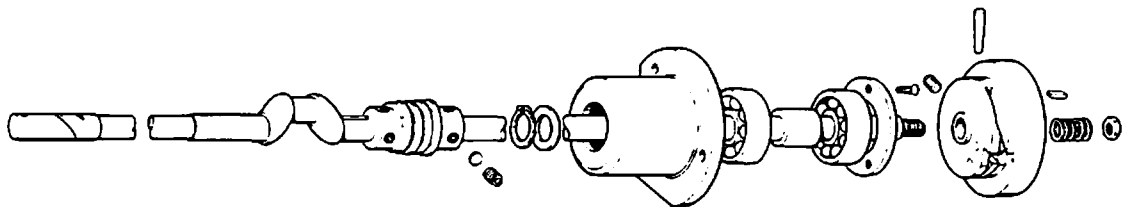
参照番号 Ref No	品名 Name of Parts	数量 Qty	部品コード Parts No	参照番号 Ref No	品名 Name of Parts	数量 Qty	部品コード Parts No
1	ウワジク	1	S09641-001	19	アタメネシ6.35クホミ	1	014770-622
2	クランクロッドミ	1	153040-001	20	ハリボウレンカクミ	1	154561-001
2-1	クランクロッド	1		20-1	テンピンクミ	1	153330-001
2-2	シメネシ4.76	2	144712-002	20-2	テンピンササエジク	1	152236-001
3	トメワジクヨウC15	1	048150-142	20-3	ハリボウクランクB	1	154624-001
4	タマシクウケケース	1	151997-000	20-4	プラスチックネジS7L	1	132051-001
5	ヘアリング6302VV	2	072630-260	20-5	ハリボウレンカク	1	152238-001
6	ヘアリングカンサ	1	151998-000	20-6	ハリボウタキ	1	152239-001
7	タマシクウケフタ	1	151999-001	20-7	ナヘコ437-40x8	1	062680-812
8	サラネシ3.57	1	102843-004	21	トメネシ5.95クホミ	1	013761-412
9	ボルト5.95x14	1	017761-412	22	ハリボウD	1	154701-001
10	ヒラサカネチユ6	1	025060-232	24	アタマツネトメネシ3.57	1	144458-001
11	ウワシクメタルM	1	140726-000	25	ハリボウメタルU	1	152242-001
12	ウワシクメタルF	1	152000-001	26	ハリボウメタルDS	1	154627-001
13	トメネシ5.95クホミ	1	013761-412	27	ミシンハリTQx1 #16	1	115053-016
14	ツライイクランクC	1	S11071-000	33	カクコマ	1	142211-001
15	シメネシ7.14	1	100250-001	34	ハリボウアンナイ	1	152244-000
16	アタメネシ6.35クホミ	1	014770-622	35	ナヘコ635-78x14	2	062781-412
18	トメネシ6.35クホミ	1	123006-001	36	オクリシクストラストリンク	1	116920-001

〈補給用・for Supply〉

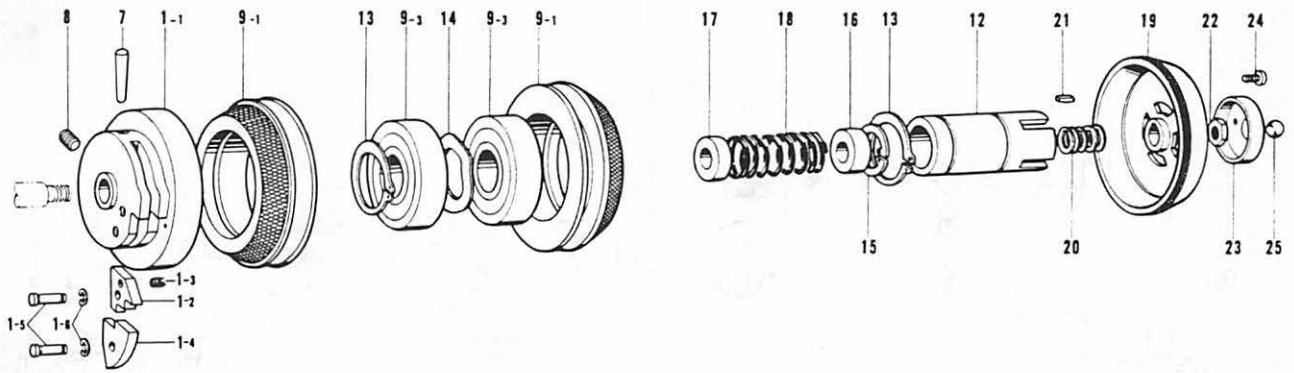
ウラジクミ448

Upper Shaft Assembly 448

S12412-001

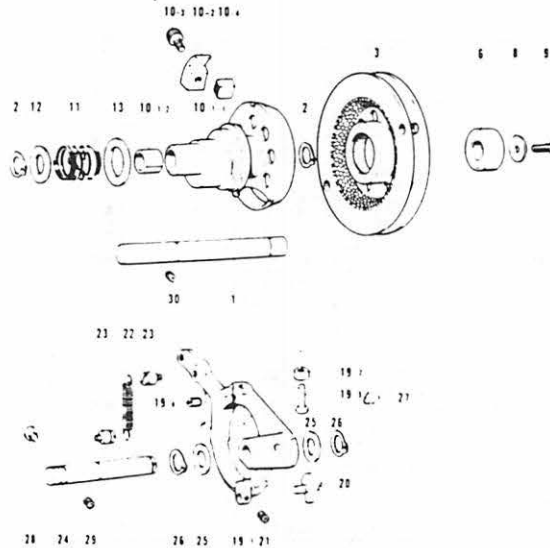


D. 動車・遊車関係 / Drive pulley and idler pulley mechanism / Antriebsriemenscheibe und Riemenscheibe
 Mécanisme de poulie d'entraînement et poulie folle / Mecanismo de polea impulsora y polea tensora



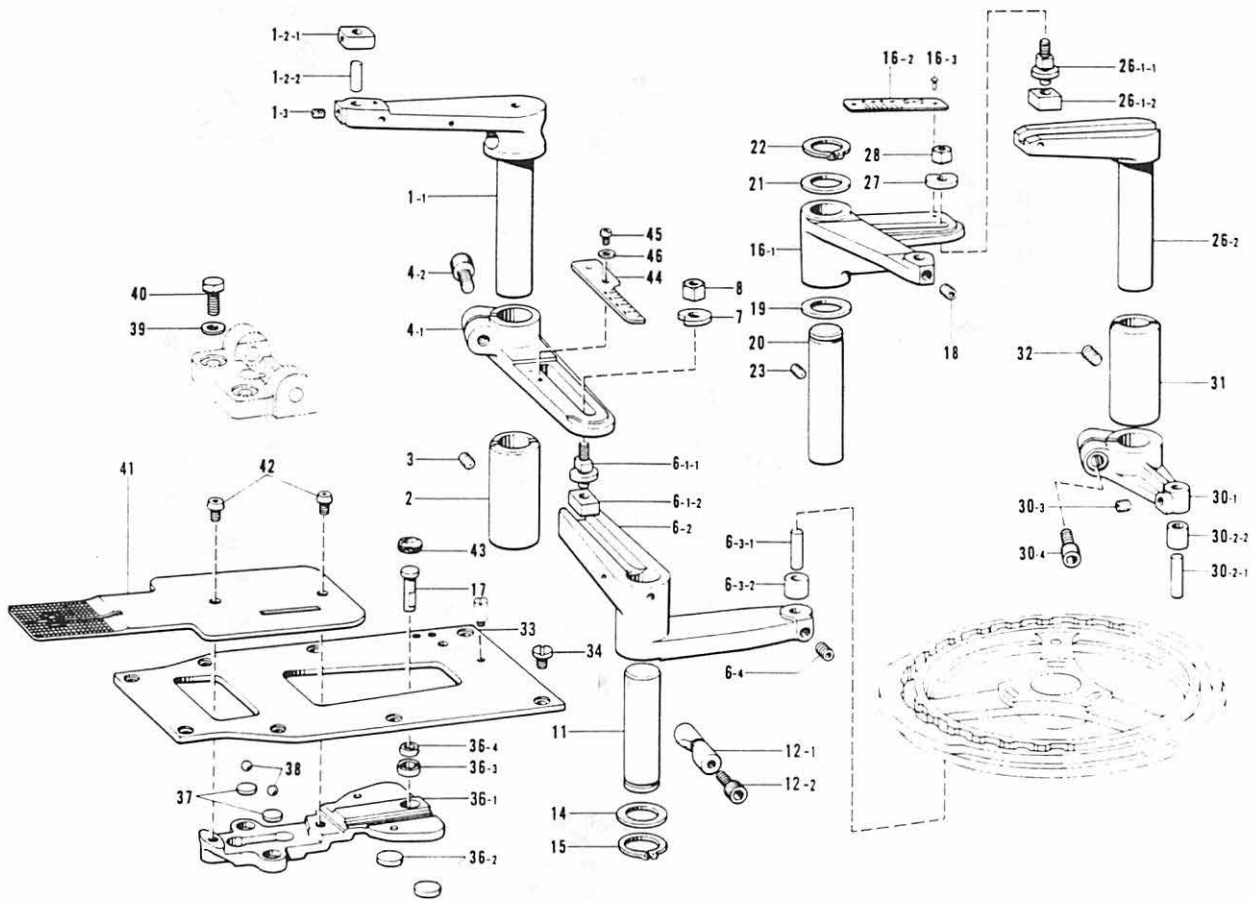
参照番号 Ref.No.	品名 Name of Parts	数量 Qty	部品コード Parts No.	参照番号 Ref.No.	品名 Name of Parts	数量 Qty	部品コード Parts No.
1	ストップカムミ	1	153044-001	13	トメワジクヨウC35	2	048350-142
1-1	ストップカム	1		14	ナミワッシャ	1	152699-001
1-2	セイドウカムヘン	1	152693-001	15	トメワアナヨウC24	1	048240-242
1-3	セイドウカムヘンバネ	1	152694-001	16	スライドブッシュA	1	152700-000
1-4	カンショウカムヘン	1	115003-001	17	スライドブッシュB	1	151946-000
1-5	カムヘンジク	2	153058-001	18	クラッチパンバネ	1	152701-001
1-6	トメワE4	2	048040-342	19	クラッチパン	1	152702-001
7	テーパピンφ×35	1	147111-001	20	スペーサ	5	152703-100
8	アナトメネジφ.35クボミ	1	014770-622	21	ヘイコウキ3×3×13	1	S02878-000
9	プーリングクミ	2	156935-101	22	ナット10ヒダリ	1	152705-001
9-1	プーリングミ	2	152695-201	23	ボールウケ	1	152706-001
9-3	タマジクウケ6007VV	2	072600-760	24	ナベコ318-40×7	4	062660-712
12	スライドメタル	1	152698-001	25	コウキユウ3/8	1	071095-250

E. ハワー押エ関係 / Power lift mechanism / Heberbetätigungsverrichtung
 Mécanisme de leueur / Mecanismo de carrera de potencia



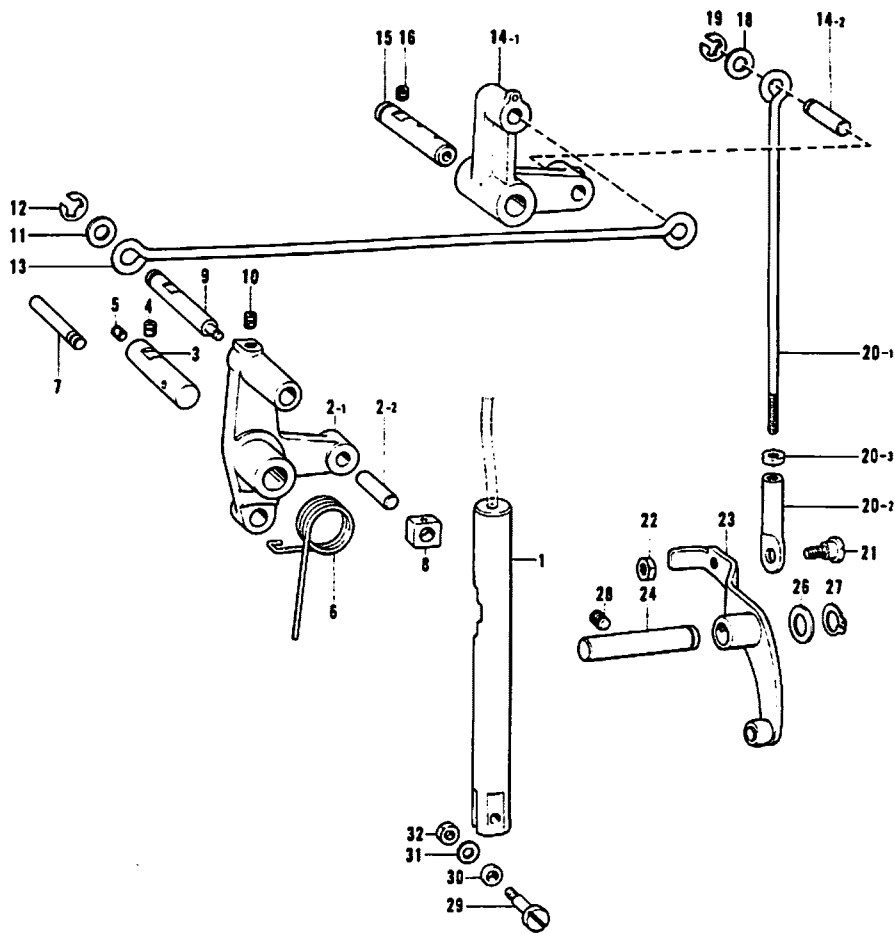
参照番号 Ref.No.	品名 Name of Parts	数量 Qty	部品コード Parts No.	参照番号 Ref.No.	品名 Name of Parts	数量 Qty	部品コード Parts No.
1	Pプーリング	1	151928-001	19	クレーハークミ	1	151944-001
2	トメワジクヨウC17	2	048170-142	19-1	クレーハーク	1	
3	プーリングミ	1	151930-201	19-2	コロ11	2	151947-101
6	タマジクウケ6003VV	1	072600-360	19-3	クレーハークロソク	2	151948-001
8	ジクウケフタ	1	151932-001	19-4	アナトメネジ.95クボミ	2	014760-622
9	サラネジ4.76	1	107231-002	20	オサエアコロソクミ	1	151949-001
10	パワーカムセット	1	155523-001	21	アナトメネジ.95クボミ	1	014760-622
10-1	パワーカムミ	1	151933-001	22	クレーハークヒキバネ	1	151951-001
10-1-1	パワーカム	1		23	シタイトキリレハークハネカケ	2	141472-002
10-1-2	DVブッシュ	2	151935-000	24	クレーハーク	1	151952-001
10-2	パワーカムストップA	1	151940-001	25	スラストサカナ16	2	151953-001
10-3	アナホルトφ×8	1	018060-822	26	トメワジクヨウC16	2	048160-142
10-4	パワーカムストップBクミ	1	151941-101	27	オイルメクラセン	1	111865-001
11	クラッチバネ	1	151936-001	28	アンナイピンネジ	1	151954-001
12	スラストサカナ17	1	151937-001	29	アナトメネジ1.94クボミ	1	014821-022
13	ザカネ	1	151938-001	30	アナトメネジ.95クボミ	1	014760-622

F. 送り関係 / Feed mechanism / Transportvorrichtung
 Mécanisme de l'entraînement / Mecanismo de la alimentación



参照番号 Ref No	品名 Name of Parts	個数 Qty	部品コード Parts No	参照番号 Ref No	品名 Name of Parts	個数 Qty	部品コード Parts No
1-1	ヨコオクリレバー	1	152742-001	21	スラストサカナ18	1	152756-001
1-2	ヨコオクリカクコマ	1	153041-001	22	トメワC18	1	048180-142
1-2-1	ヨコオクリカクコマ	1		23	アタメネシ5.95クボミ	1	014760-622
1-2-2	ヨコオクリカクコマピン	1		26-1	オクリチョウセツシクミ	1	153042-001
1-3	トメネシ4.37	1	151602-002	26-1-1	オクリチョウセツシク	1	
2	オクリメタル	1	152745-001	26-1-2	オクリチョウセツシクコマ	1	
3	アタメネシ5.95クボミ	1	014760-622	26-2	タテオクリチョウセツレバー	1	153823-001
4	ヨコオクリレバー	1	153820-101	27	オクリチョウセツサカナ	1	152749-001
4-1	ヨコオクリレバー	1		28	オクリチョウセツナット	1	152750-001
4-2	アナホルト8×20	1	018082-022	30-1	タテオクリカムレバー	1	153824-001
6-1	オクリチョウセツシクミ	1	153042-001	30-2	オクリカムコロシクミB	1	153988-001
6-1-1	オクリチョウセツシク	1		30-2-1	コロ6.35	1	
6-1-2	オクリチョウセツシクコマ	1		30-2-2	コロ8.12	1	
6-2	ヨコオクリカムレバー	1	152752-001	30-3	アタメネシ5.95クボミ	1	014760-622
6-3	オクリカムコロシクミA	1	153988-001	30-4	アナホルト8×20	1	018082-022
6-3-1	コロ6.35	1		31	オクリメタル	1	152745-001
6-3-2	コロ8.12	1		32	アタメネシ5.95クボミ	1	014760-622
6-4	アタメネシ5.95クボミ	1	014760-622	33	オクリタイアンナイタ	1	S07089-001
7	オクリチョウセツサカナ	1	152749-001	34	シメネシ4.37	8	145318-001
8	オクリチョウセツナット	1	152750-001	36	オクリタイ	1	S07135-001
11	ヨコオクリカムレバー	1	152755-001	36-1	オクリタイ	1	
12	ヒンチスリーブ	1	S09132-001	36-2	オクリタイカンサ	2	152771-000
12-1	ヒンチスリーブ	1		36-3	キユウメンフッシュメタル	1	152773-001
12-2	アナホルト6×30	1	018063-022	36-4	キユウメンフッシュ	1	141331-001
14	スラストサカナ18	1	152756-001	37	カンサ	2	152772-001
15	トメワC18	1	048180-142	38	コクキウ3/16	2	071047-650
16	タテオクリレバー	1	154174-001	39	ヒラサカナショウ6	2	025060-232
16-1	タテオクリレバー	1		40	ホル5.95×12	2	017761-212
16-2	タテオクリメモリイタ	1		41	オクリイタB	1	S07114-001
16-3	トメピン	2	116231-001	42	オクリイタシメネシ	2	153057-002
17	タテオクリシク	1	152759-001	43	オサエウチフェルト	1	153035-000
18	アタメネシ5.95クボミ	1	014760-622	44	ヨコオクリメモリイタ	1	153826-001
19	スラストサカナ18	1	152756-001	45	ハイネシ318-40×5	1	060660-512
20	タテオクリレバー	1	152760-001	46	ヒラサカナショウ3	1	025030-132

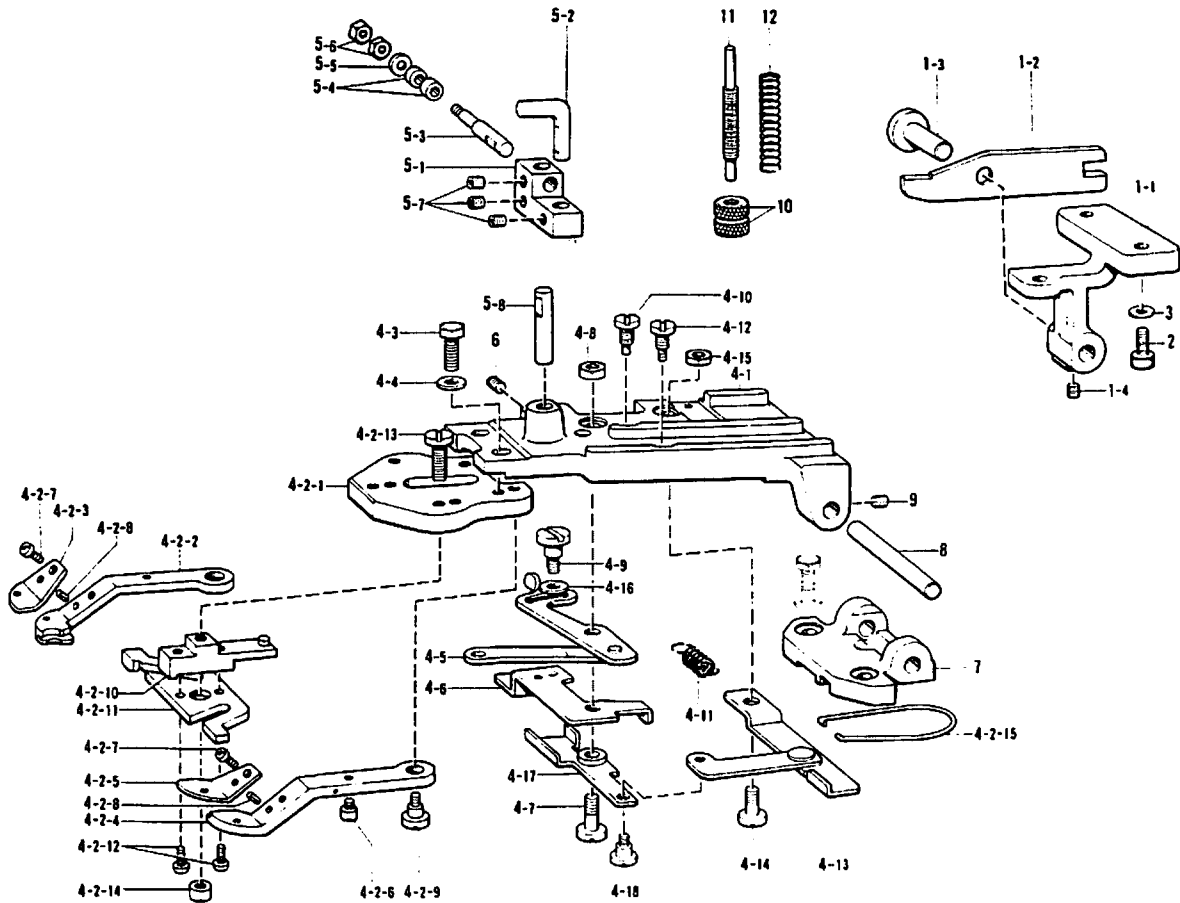
G. 押エ上げ関係 / Work clamp lifter mechanism / Stoffhalterhebevorrichtung
 Mécanisme de levreur du pinceur / Mecanismo de levantador de ménsula de trabajo



参照番号 Ref No	品名 Name of Parts	数量 Qty	部品コード Parts No
1	オサエアゲロッド Work Clamp Lifter Rod	1	153831-001
2-1	オサエアゲレバー Work Clamp Lifter Lever	1	152798-001
2-2	ヨコオクリカクコマピン Tack Length Side Block Pin	1	152744-001
3	オサエアゲレバースhaft Work Clamp Lifter Lever Shaft	1	152799-001
4	アナトメネジφ.95クボミ Screw φ.95x6	1	014760-622
5	トメネジφ.95クボミ Screw φ.95	1	013760-612
6	オサエアゲバネ Spring	1	152800-201
7	パネカケピン Pin	1	152801-001
8	ハリボウアンナイカクコマ Needle Bar Guide Side Block	1	102630-001
9	オサエアゲロッドシクA Work Clamp Lifter Rod Shaft A	1	152802-001
10	アナトメネジφ.95クボミ Screw φ.95x6	1	014760-622
11	ワシナ Washer	1	107153-002
12	トメワE6 Stop Ring E6	1	048060-342
13	オサエアゲロッドA Work Clamp Lifter Rod A	1	152803-001
14-1	オサエアゲレバースhaft Connecting Lever Shaft (A)	1	152805-101
14-2	オサエアゲロッドシクB Connecting Lever Shaft (B)	2	152806-001
15	レンゲツレバースhaft Lifting Lever Shaft	1	158686-001
16	アナトメネジφ.95クボミ Screw φ.95x6	1	014760-622

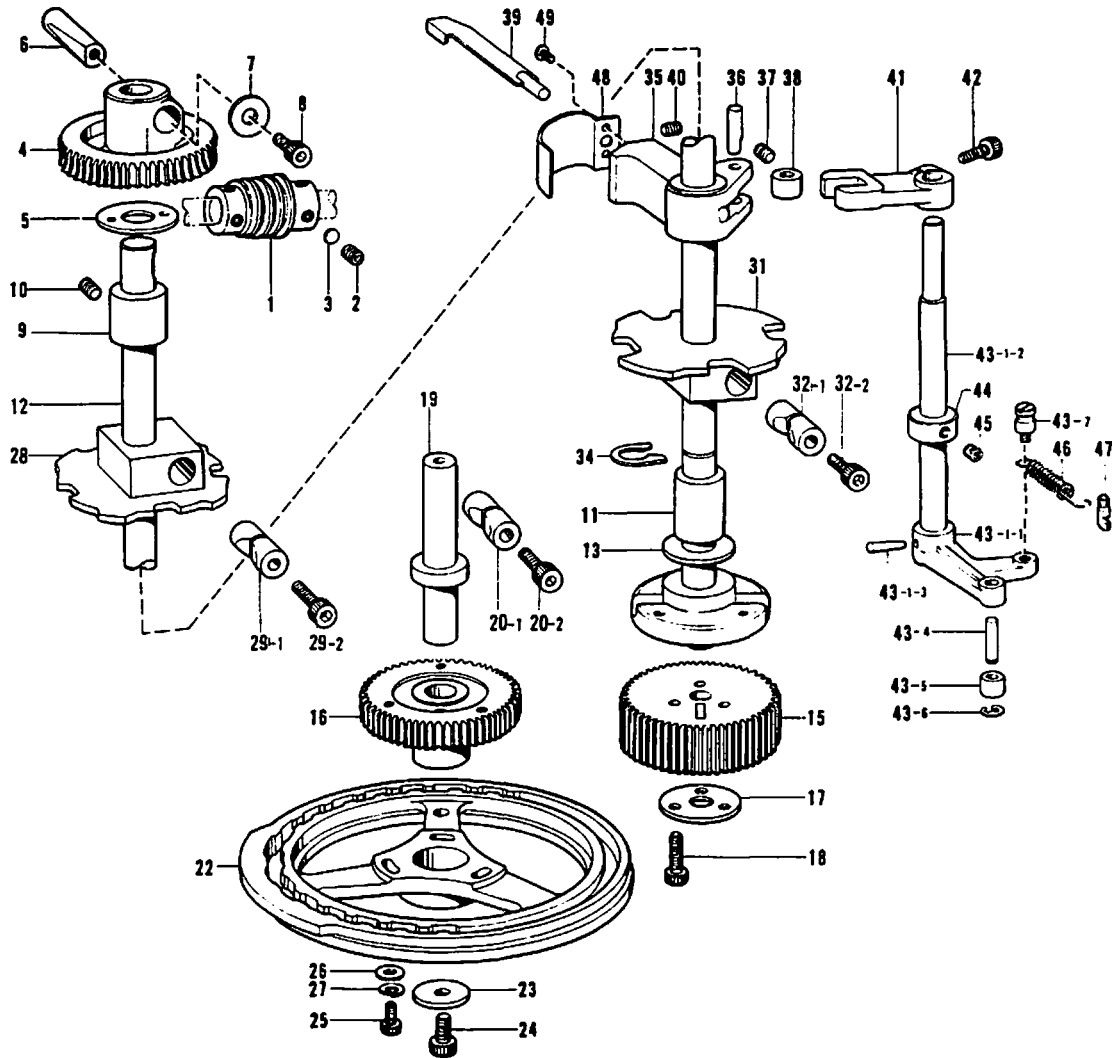
参照番号 Ref No	品名 Name of Parts	数量 Qty	部品コード Parts No
18	ワシナ Washer	2	107153-002
19	トメワE6 Stop Ring E6	2	048060-342
20	チヨウセツロノトクミ Connecting Rod Assembly	1	152808-101
20-1	オサエアゲチヨウセツロノト Connecting Rod	1	154332-001
20-2	オサエアゲチヨウセツツキテ Connecting Joint	1	154333-001
20-3	ナットφ.35 Nut φ.35	1	150556-001
21	ダンネシφ.35 Stud Screw φ.35	1	141583-001
22	ナットφ.35 Nut φ.35	1	150556-001
23	サツワレバークミ Connecting Lever Assembly	1	152811-001
24	サツワレバースhaft Driving Shaft	1	158687-001
25	スイヘイオクリランクリンク Horizontal Feed Clamp Ring	1	142628-001
27	トメワシクヨウC11 Stop Ring C11	1	048110-142
28	アナトメネジφ.95クボミ Screw φ.95x6	1	014760-622
29	コロシク Rover Stud	1	153828-001
30	コロ Rover	1	107744-001
31	ワシナφ.75 Washer φ.75	1	153484-001
32	ナットφ.37 Nut φ.37	2	105234-003

H. ボタンツマミ作動関係 / Button clamp mechanism / Knopfhaltevorrichtung
 Mécanisme du pince-boutons / Mecanismo de la ménsula de resorte



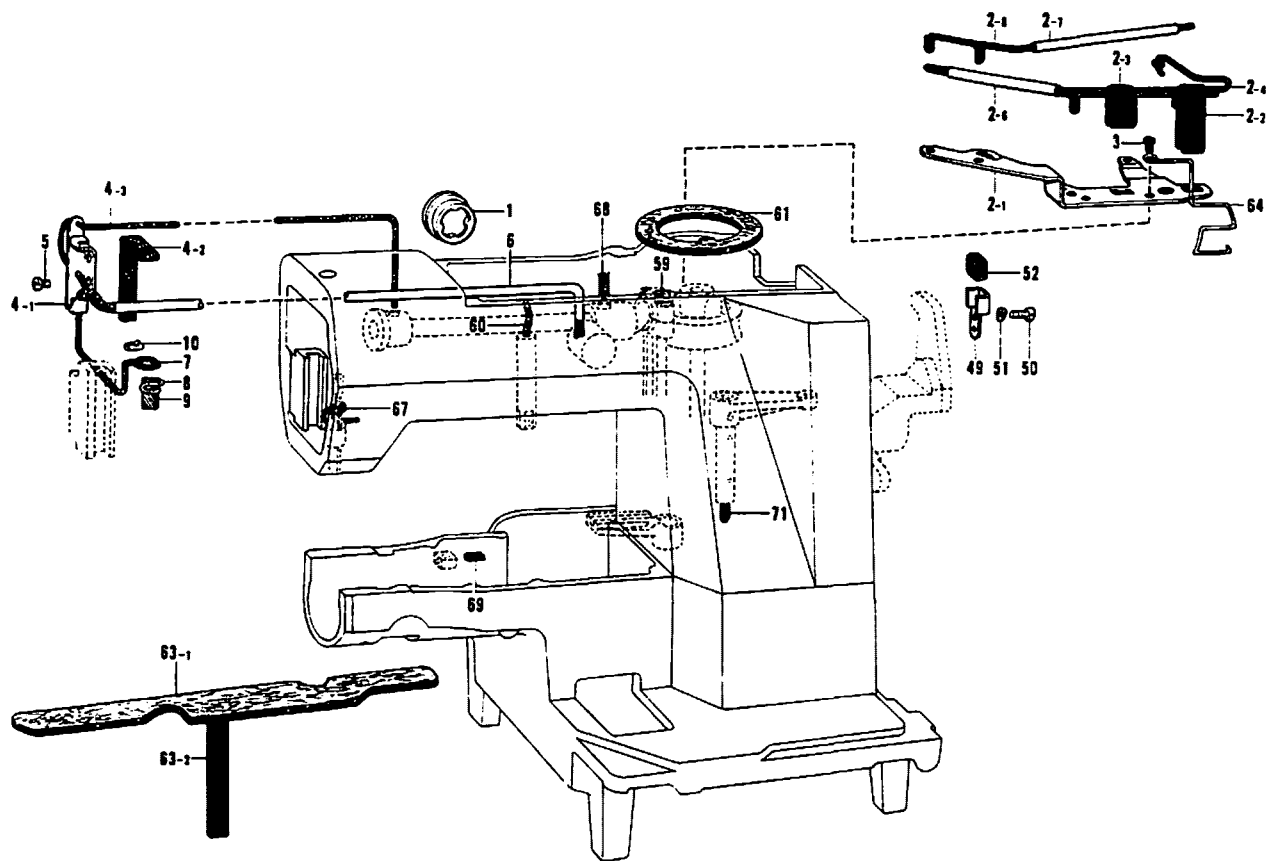
参照番号 Ref No	品名 Name of Parts	個数 Qty	部品コード Parts No	参照番号 Ref No	品名 Name of Parts	個数 Qty	部品コード Parts No
1-1	レバーホルダー	1	153835-006	4-7	シメネジ M3	1	S06994-001
1-2	ボタンツマミアクレバー	1	153836-101	4-8	ナット M3	1	150556-001
1-3	ボタンツマミレバーシム	1	153838-001	4-9	タンネジ M3	1	115166-001
1-4	アタメネジ M3x0.5	1	014760-622	4-10	ストリッパネジ	1	S03606-001
2	ボルト M6x20	2	018062-022	4-11	ボタンヒラキネジ	1	S03607-001
3	ヒラサカネジ M6	2	025060-232	4-12	バネカケ	1	S03608-001
4	ボタンツマミホルダー	1	S07080-001	4-13	ヒラキレバー	1	S07098-001
4-1	ボタンツマミホルダー	1	S07081-001	4-14	シメネジ M3	1	S07117-001
4-2	ボタンツマミクミ 448	1	S10779-001	4-15	ナット M3	1	150556-001
4-2-1	ボタンツマミタイ	1	S03464-101	4-16	ヒラサカネジ M3x17	1	025680-232
4-2-2	ボタンツマミ	1	S05679-101	4-17	ボタンヒラキネジ	1	S06992-001
4-2-3	ボタンツマミイタハネ	1	S05680-101	4-18	タンネジ M3	1	149127-001
4-2-4	ボタンツマミR	1	S05678-101	5	オサエアクホルダー	1	S07107-001
4-2-5	ボタンツマミRイタハネ	1	S05681-101	5-1	オサエアクホルダー	1	S06995-001
4-2-6	ボタンツマミアンタイピン	2	115156-001	5-2	オサエアクホルダー	1	S06998-001
4-2-7	ナット M3x1.40x5	2	062680-512	5-3	ボタンホルダー	1	S06996-001
4-2-8	スプリングピン AW2.5	2	047250-642	5-4	コロ	2	107744-001
4-2-9	タンネジ M3	2	115158-001	5-5	ワッシャー M3	1	153464-001
4-2-10	ボタンツマミクミ M B	1	S05687-001	5-6	ナット M3	2	105234-003
4-2-11	ボタンツマミイタカム	1	S05905-001	5-7	アタメネジ M3x0.5	1	014760-622
4-2-12	ナット M3x1.40x8	2	062680-812	5-8	ホルダーササエ	1	S06997-001
4-2-13	シメネジ M3	1	S03468-001	6	アタメネジ M3x0.5	1	014760-622
4-2-14	ナット M3	1	S03557-001	7	ボタンツマミホルダーササエ	1	S07084-001
4-2-15	ボタンツマミモトイタハネ	1	S03610-001	8	ボタンツマミホルダー	1	153827-001
4-3	ボルト M3x14	2	017711-412	9	アタメネジ M3x0.5	2	014680-622
4-4	ワッシャー	2	146354-001	10	オサエハネネジ	2	146994-001
4-5	サイズ調整プレート	1	S03600-001	11	オサエハネネジ	1	115148-101
4-6	ボタンヒラキササエ	1	S07079-001	12	ボタンツマミオサエ	1	115147-001

J. カム伝導関係 / Feed cam mechanism / Vertikale Welle
 Mécanisme d'arbre vertical / Mecanismo de eje vertical



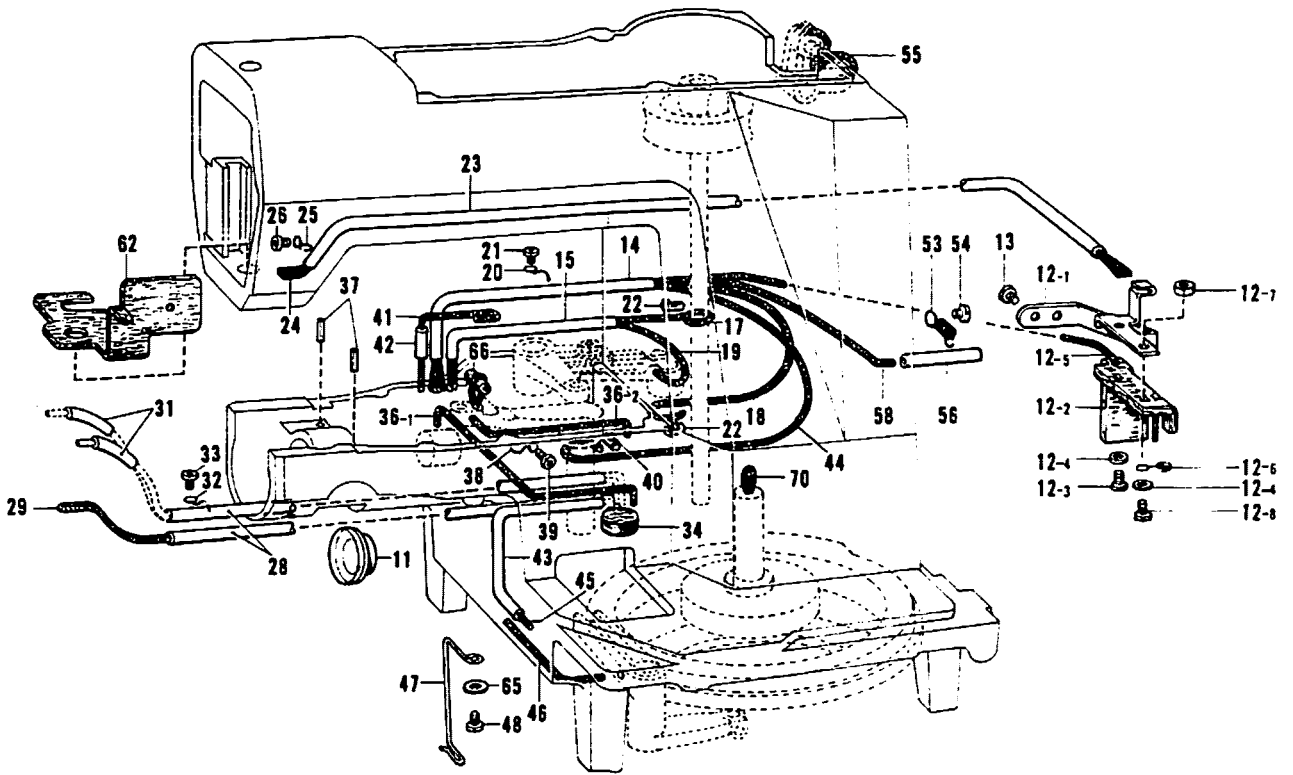
参照番号 Ref No	品名 Name of Parts	数量 Q'ty	部品コード Parts No	参照番号 Ref No	品名 Name of Parts	数量 Q'ty	部品コード Parts No
1	ウォーム36	1	153841-001	29-2	アナホルト6×30	1	018063-022
2	アタメネジ5 95	6	152718-001	31	イトネリカムSP	1	S07814-001
3	トメサカネ	1	147151-000	32	ピンチスリーブ	1	S09132-001
4	ウォームホイール36	1	153840-000	32-1	ピンチスリーブ	1	
5	スラストサカネ	1	152713-001	32-2	アナホルト6×30	1	018063-022
6	スリーブ	1	152709-000	34	イトネリカムトメリング	1	152723-001
7	サカネ	1	152710-001	35	セイキョタイ	1	52731-001
8	アナホルト6×20	1	018062-022	36	セイキョタイコロシク	1	152732-001
9	タチシクメタルU	1	159977-000	37	トメネジ4 76ホミ	1	013710-712
10	アタメネジ5 95ホミ	1	014760-622	38	コロ	1	152914-001
11	タチシクメタルL	1	159978-001	39	ハリカネリカエレハ	1	153845-001
12	タチシクソク	1	159979-001	40	トメネジ4 76ホミ	1	013710-712
13	スラストサカネ40	1	159984-001	41	セイキョエレハ	1	152734-001
15	チェンジギヤ28W	1	152719-000	42	アナホルト6×16	1	018061-622
16	チェンジギヤ28C	1	152720-000	43	セイキョカムレハーク	1	152735-101
17	チェンジギヤサカネ	1	153104-001	43-1	セイキョカムレハーク	1	153332-001
18	アナホルト6×22	3	018062-222	43-1-1	セイキョカムレハ	1	
19	カムシク	1	152724-001	43-1-2	セイキョレハーク	1	
20	ピンチスリーブ	1	S09132-001	43-1-3	テーパピン3×20	1	046307-020
20-1	ピンチスリーブ	1		43-4	コロシク	1	152739-001
20-2	アナホルト6×30	1	018063-022	43-5	コロ	1	153195-001
22	オクリカム438-1A	1	156101-001	43-6	トメWE4	1	048040-342
23	スラストサカネ8	1	152728-001	43-7	ハネサカネ	1	155337-001
24	アナホルト6×15	1	151163-001	44	セットカラー	1	110027-001
25	アナホルト6×20	3	018062-022	45	アタメネジ5 95ホミ	2	014760-622
26	サカネ	3	109893-002	46	セイキョハネ	1	155336-001
27	ハネサカネ7-6	3	028060-242	47	ハネサカネ	1	141334-001
28	クラッチカム36	1	153842-001	48	セイキョタイカハ	1	153141-001
29	ピンチスリーブ	1	S09132-001	49	アヘコ157-40×4	2	062670-412
29-1	ピンチスリーブ	1					

L. 給油・潤滑関係(1)/Lubrication (1)/Schmierung (1)
 Lubrification (1)/Lubricación (1)



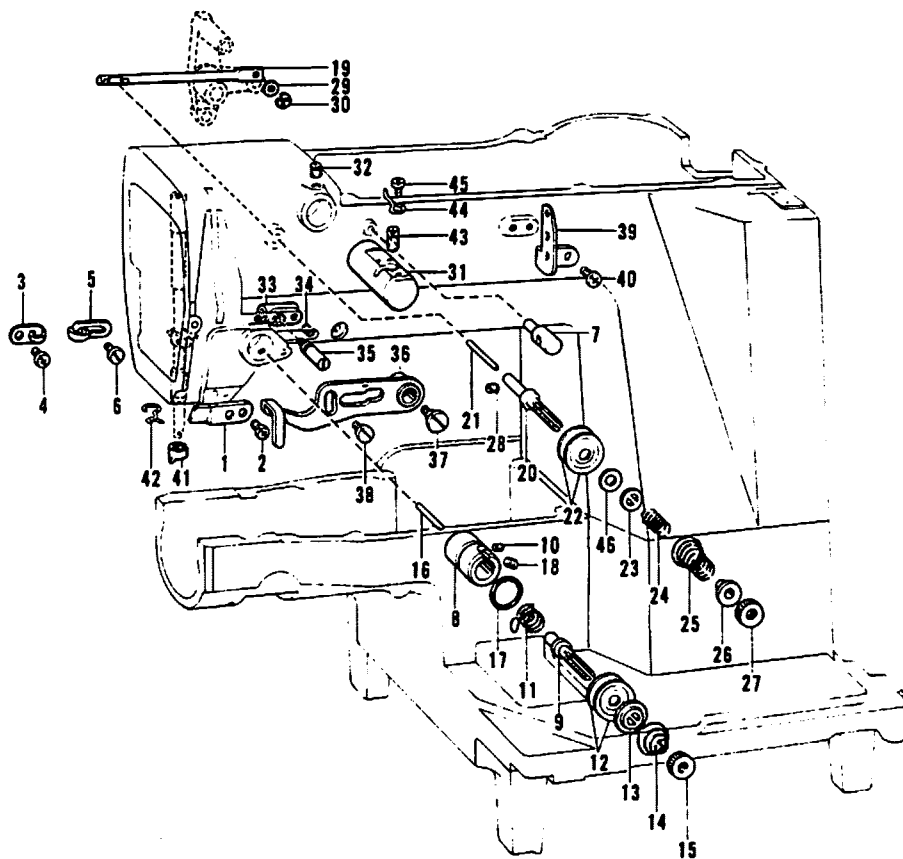
参照番号 Ref No	品名 Name of Parts	個数 Q'ty	部品コード Parts No	参照番号 Ref No	品名 Name of Parts	個数 Q'ty	部品コード Parts No
1	オイルポット窓	1	152948-001	8	ハリボウメタルヒモササエ	1	152962-001
2	ワウジクキュウユササエ	1	152949-001	9	ヒラクミヒモ (40mm)	1	152960-001
2-1	ワウジクキュウユササエ	1	152950-001	10	クミヒモササエ	1	104567-001
2-2	ワームキュウユフェルト	1	152951-001	49	ボールキュウユヒモササエ	1	152976-001
2-3	ロッドキュウユフェルト	1	152952-001	50	ナヘコ357-40×5	2	062670-512
2-4	クミヒモ6×6 (660mm)	1	153918-001	51	ハネサガネ2-4	2	028040-242
2-6	ビニルチューブ	1	140423-000	52	ヒラクミヒモ (50mm)	1	152977-001
2-7	ハイユパイプ	1	147745-000	59	フェルト	1	107149-001
2-8	クミヒモ6×6 (370mm)	1	153919-001	60	クミヒモ4×4 (100mm)	1	152968-001
3	ナヘコ437-40×10	2	062681-012	61	ボールキュウユフェルト	1	153529-001
4	テンヒンキュウユササエ	1	152958-001	63-1	ヘントルフエルト	1	153531-001
4-1	テンヒンキュウユササエ	1	152959-001	63-2	ヒラクミヒモ (150mm)	1	153562-001
4-2	ヒラクミヒモ (210mm)	1	152955-001	64	ワームキュウユフェルトササエ	1	153528-001
4-3	クミヒモ4×4 (500mm)	1	152956-001	67	クミヒモ4×4 (170mm)	1	152973-001
5	ナヘコ437-40×6	1	062680-612	68	クミヒモ4×4 (30mm)	1	153925-001
6	ハイユパイプ	1	144694-001	69	タコヒモ (10mm)	1	153926-001
7	クミヒモ4×4 (500mm)	1	152956-001	71	クミヒモ6×6 (150mm)	1	152980-001

L. 給油・潤滑関係(2)/Lubrication (2)/Schmierung (2)
 Lubrification (2) / Lubricación (2)



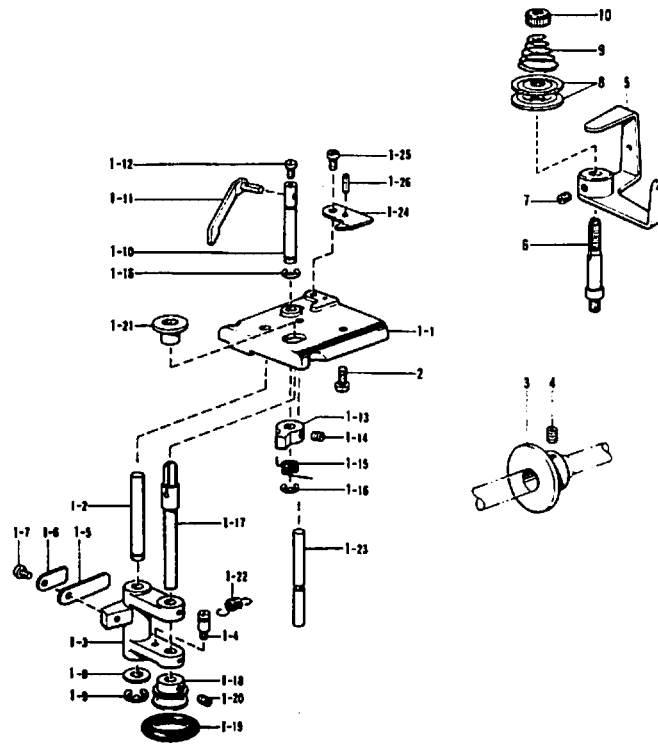
参照番号 Ref No	品名 Name of Parts	個数 Qty	部品コード Parts No	参照番号 Ref No	品名 Name of Parts	個数 Qty	部品コード Parts No
11	オイルゴトマツ	1	152948-001	37	コードササエカネ	1	152969-001
12	シタシクキョウユササエクミ	1	152961-001	38	ナヘコ357-40×5	1	062670-512
12-1	シタシクキョウユササエ	1	152966-001	39	フェルト	1	113006-001
12-2	シタシクキョウユササエ	1	152967-001	36-1	クミヒモ4×4 (170mm)	1	152973-001
12-3	ナヘコ357-40×8	2	062670-812	36-2	クミヒモ4×4 (150mm)	1	153921-001
12-4	ヒラサカネタイ15	3	025350-332	37	スプリングピンAW2.5	2	047251-640
12-5	クミヒモ4×4	1	152963-001	38	コードササエカネ	1	117150-001
12-6	ヒニルチューブササエC	1	141692-001	39	ナヘコ357-40×5	1	062670-512
12-7	ナト2シユ3.57	1	021670-202	40	クミヒモササエ	1	104567-001
12-8	ナヘコ357-40×14	1	062671-412	41	クミヒモ4×4 (350mm)	1	152974-001
13	ナヘコ357-40×6	2	062670-612	42	ヒニルチューブ	1	112669-001
14	ヒニルチューブ	1	148921-000	43	ハイユパイプL	1	147745-000
15	ハイユパイプL	1	147745-000	44	クミヒモ4×4 (340mm)	1	153927-001
17	クミヒモ6×6 (310mm)	1	152964-001	45	クミヒモ6×6 (360mm)	1	152953-001
18	クミヒモ4×4 (400mm)	1	152965-001	46	クミヒモ4×4 (170mm)	1	152985-001
19	クミヒモ6×6 (310mm)	1	152964-001	47	キョウユヒモササエ	1	153763-001
20	コードササエカネ	1	152969-001	48	ナヘコ357-40×5	1	062670-512
21	ナヘコ357-40×5	1	062670-512	53	チューブオサエ	1	152978-001
22	クミヒモササエ	2	104567-001	54	ナヘコ437-40×8	1	062680-812
23	ヒニルチューブ	1	146375-000	55	クミヒモ6×6	1	153927-001
24	ヒラクミヒモ (760mm)	1	152992-001	56	ヒニルチューブ	1	112669-001
25	コードササエカネ	1	117150-001	58	クミヒモ4×4 (500mm)	1	153922-001
26	ナヘコ357-40×5	1	062670-512	67	ワイアケフェルト	1	153530-001
28	ヒニルチューブ	2	140423-000	65	ワカサ	1	105248-003
29	クミヒモ4×4	1	152971-001	66	フェルト	1	153974-001
31	ヒニルチューブ	2	112669-001	70	クミヒモ6×6 (150mm)	1	152980-001

M. 糸通シ関係 / Threading mechanism / Fadenführungsrichtung
 Mécanisme de l'enfilage / Mecanismo de la enhebrado



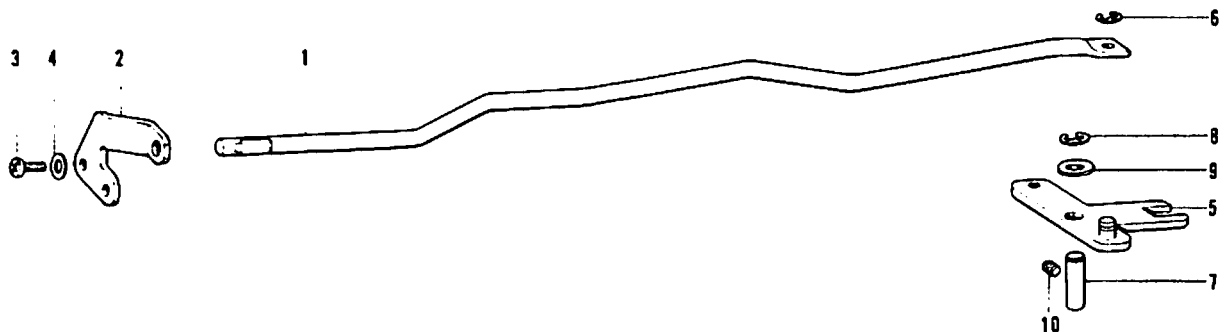
参照番号 Ref No	品名 Name of Parts	数量 Qty	部品コード Parts No	参照番号 Ref No	品名 Name of Parts	数量 Qty	部品コード Parts No
1	アームイミチ	1	152859-001	24	ウワイトオサエハネ	1	152878-001
2	ナベコ416-32×7	1	062710-712	25	フクチョウシハネ	1	152879-101
3	アームイタケ	1	152870-001	26	ハネウケ	1	152880-001
4	ナベコ357-40×6	1	062670-612	27	イトチョウシナット	1	100136-001
5	アームイアンタイ	1	113316-001	28	アタメネジ4 37クホミ	1	014680-422
6	シメネジ3 57	1	112751-003	29	サカネ	1	140208-001
7	ウワイトアンタイボウ	1	153049-001	30	トメワE4	1	048040-342
8	イトチョウシダイ	1	152872-001	31	エキレイタイクミ	1	152881-001
9	イトチョウシボウ	1	100398-001	32	トメネジ5 95クホミ	1	013760-612
10	シメネジ3 57	1	100407-004	33	イトリアンタイシクワケ	1	152886-001
11	イトトリバネ	1	145519-001	34	アタメネジ4 37クホミ	1	014680-422
12	イトチョウシサラ	2	145446-001	35	イトリアンタイシク	1	152887-001
13	イトチョウシサラオサエ	1	159805-001	36	イトトリレバー	1	152888-101
14	イトチョウシバネ	1	107606-001	37	タンネジ6 35	1	141578-001
15	イトチョウシナット	1	100136-001	38	タンネジ4 76	1	115077-003
16	イトユルメピン	1	152873-001	39	ミツメイトカク	1	152889-001
17	Oリング	1	114294-001	40	ナベコ357-40×6	2	062670-612
18	トメネジ5 95	1	103950-003	41	ハリボウワイトアンタイA	1	152890-001
19	フクイトユルメボウ	1	152874-001	42	ハリボウメタルDイトアンタイ	1	154626-001
20	フクイトチョウシボウ	1	152875-001	43	フェルト8×15 5	1	152883-000
21	フクイトユルメピン	1	152876-001	44	エキレイイトカケ	1	152884-001
22	イトチョウシサラ	2	145446-001	45	ナベコ357-40×4	1	062670-412
23	イトチョウシサラオサエ	1	152877-001	46	サカネ	1	153138-001

N. 糸巻キ関係 / Bobbin winder mechanism / Spuler
 Mécanisme de bobineur / Mecanismo del devanador de la canilla



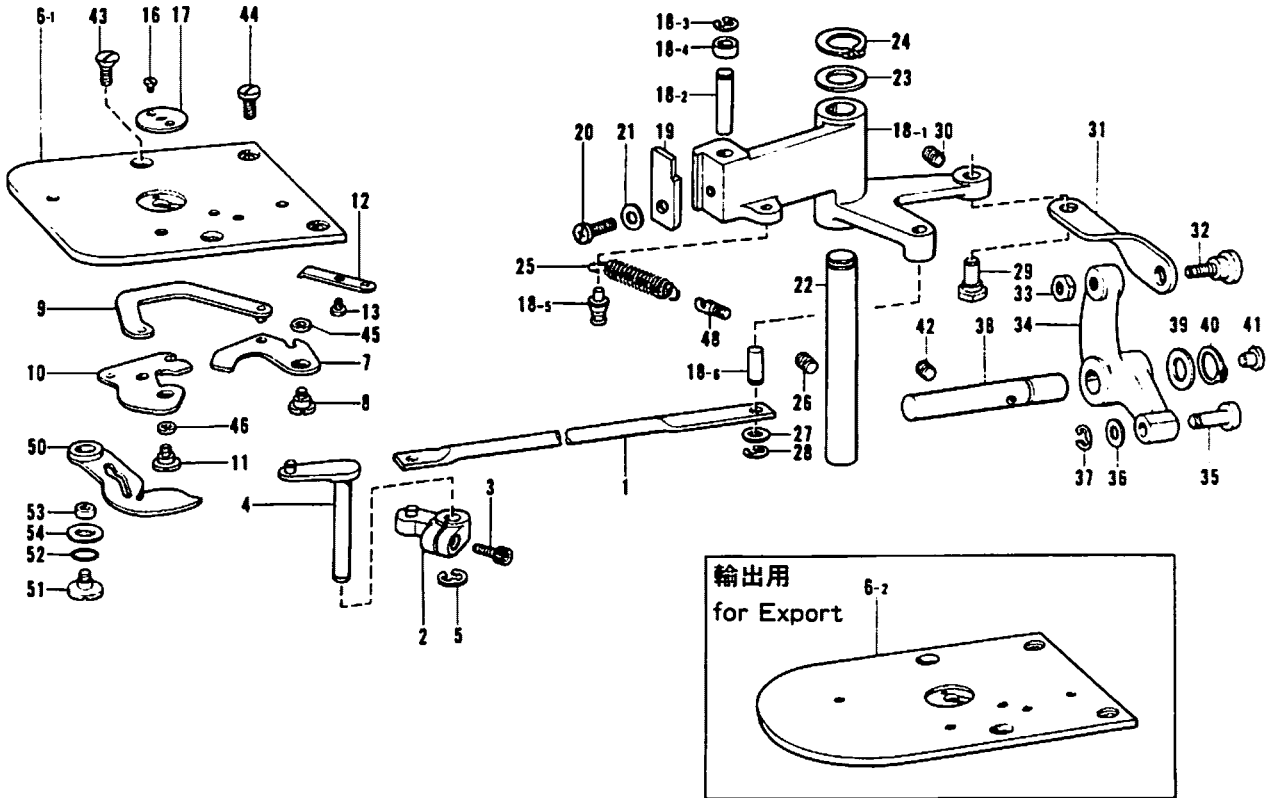
参照番号 Ref No	品名 Name of Parts	数量 Q'ty	部品コード Parts No	参照番号 Ref.No	品名 Name of Parts	数量 Q'ty	部品コード Parts No
1	イトマキ	1	S10700-001	1-18	イトマキクルマ	1	154528-001
1-1	イトマキダイ	1	S11070-001	1-19	ゴムワ	1	120448-001
1-2	イトマキレバシク	1	S10172-001	1-20	アナトメネジ4.37クボミ	2	014680-422
1-3	イトマキレバー	1	152984-001	1-21	ホコリヨケイタ	1	S10174-000
1-4	テイシレバーハネカケ	1	141550-001	1-22	イトマキウデハネ	1	S10268-001
1-5	イタハネ	1	152936-001	1-23	ストップバシク	1	S10175-001
1-6	ワカネ	1	152937-001	1-24	メス	1	152938-001
1-7	ナベコ357-40×6	1	062670-612	1-25	ナベコ437-40×7	1	062680-712
1-8	ワカネ	1	159486-001	1-26	スプリングピンAW7	1	S10268-001
1-9	トメワE5	1	048050-342	2	ナベコ476-32×12	2	062711-212
1-10	イトマキツメシク	1	152940-001	3	イトマキプーリ	1	S11077-001
1-11	ボヒンササエ	1	S10173-001	4	アナトメネジ3.95	2	152718-001
1-12	アタマツキトメネジ37	1	S01998-001	5	イトマキイトアンナイ	1	159257-001
1-13	イトマキツメ	1	142566-001	6	イトマキウシボウ	1	159256-001
1-14	アタメネジ4.37クボミ	2	014680-422	7	アナトメネジ4.37クボミ	2	014680-622
1-15	イトマキツメネシリハネ	1	152941-001	8	イトチウシカラ	2	145446-001
1-16	トメワE5	2	048050-342	9	イトチウシハネ	1	117215-001
1-17	イトマキシク	1	152933-001	10	イトチウシナット	1	100136-001

P. 糸縮メ関係 / Thread nipper mechanism / Fadenspannvorrichtung
 Mécanisme de pince-fil / Mecanismo de mordaza para hilos



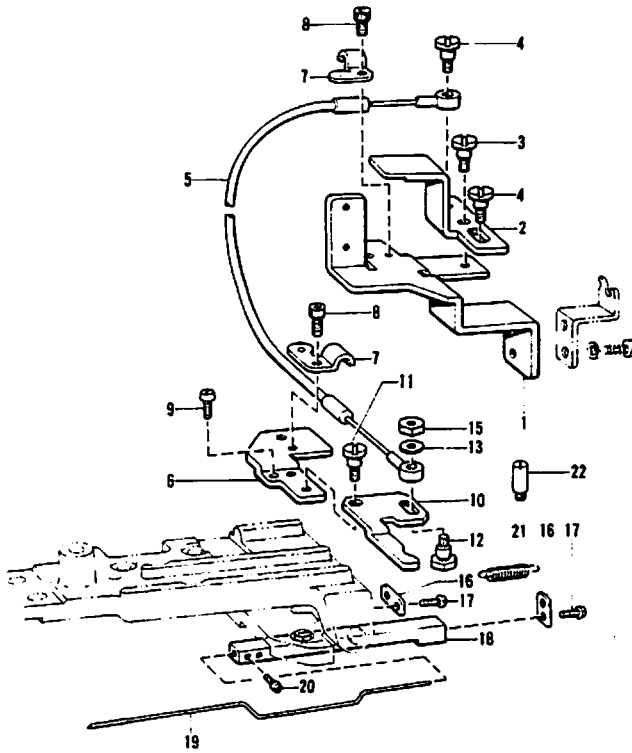
参照番号 Ref No	品名 Name of Parts	数量 Q'ty	部品コード Parts No	参照番号 Ref.No	品名 Name of Parts	数量 Q'ty	部品コード Parts No
1	ウワイトユルメボウ	1	152925-101	6	トメワE4	1	048040-342
2	ユルメボウササエイタ	1	152926-001	7	ウワイトユルメレバシク	1	152929-001
3	ナベコ357-40×10	2	062671-012	8	トメワE5	1	048050-342
4	ヒラサカネダイ3.5	2	025350-332	9	ヒラサカネチュウ6.35	1	025770-232
5	ウワイトユルメレバシク	1	155571-001	10	アナトメネジ3.95クボミ	1	014760-622

Q. 糸切り関係 / Thread trimmer mechanism / Fadenabschneidevorrichtung
 Mécanisme de coupe-fil / Mecanismo de recortadora de orillos



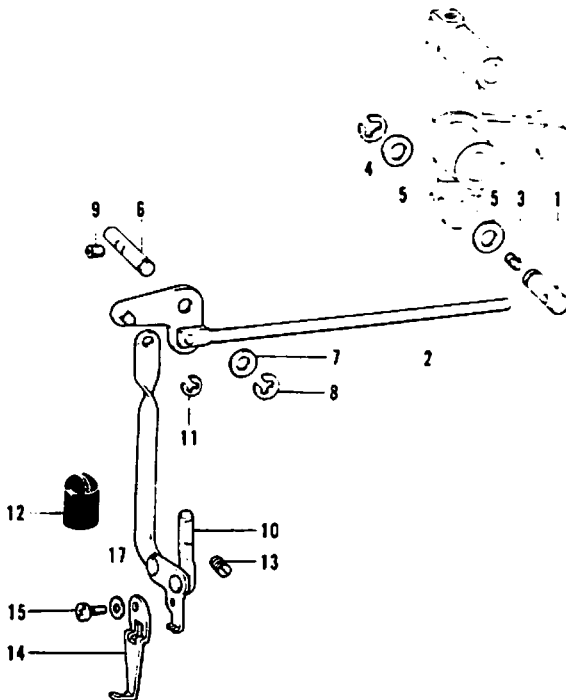
参照番号 Ref.No.	品名 Name of Parts	個数 Q'ty	部品コード Parts No.	参照番号 Ref.No.	品名 Name of Parts	個数 Q'ty	部品コード Parts No.
1	イトキリレンケツロッド	1	152892-001	25	イトキリカムレバーバネ	1	154788-001
2	イトキリウチアタキ	1	152896-001	26	アタメネジ 5.95クボミ	1	014760-622
3	アナボルト 4.37X10	1	018581-022	27	ワザガネ	1	140208-001
4	イトキリウチB	1	152893-101	28	トメワE4	1	048040-342
5	トメワE5	1	048050-342	29	イトキリリンクチヨウセツジク	1	152920-001
6-1	ハリイタC	1	S01887-001	30	アタメネジ 5.95クボミ	1	014760-622
6-2	ニードルプレート(S)	1	152895-001	31	イトキリリンク	1	152921-001
7	イトキリウチC	1	152981-001	32	ダンネジ 5.95	1	151907-001
8	シメネジ 4.37	1	153222-001	33	ナット 5.95	1	150553-001
9	イトキリレンカクミ	1	152897-201	34	イトキリサドルレバー	1	152922-001
10	イドウハクミ	1	152901-001	35	イトキリサドルレバーコロ	1	152923-001
11	シメネジ 4.37	1	152904-001	36	ワザガネ	1	112468-001
12	コチイハ	1	152905-001	37	トメワE5	1	048050-342
13	シメネジ 2.38	2	111140-002	38	イトキリサドルレバーシク	1	153482-001
16	サラネジ 2.38	2	100360-003	39	スイヘイオクタクランクリンク	1	142628-001
17	ハリアナイタB	1	156150-001	40	トメワシクヨウC11	1	048110-142
18-1	イトキリカムレバー	1	152912-001	41	オイルメクラセン	1	111865-001
18-2	コロシク	1	152913-001	42	アタメネジ 5.95クボミ	1	014760-622
18-3	トメワE4	1	048040-342	43	サラネジ 4.37	2	100032-004
18-4	コロ	1	152914-001	44	シメネジ 4.37	2	153208-002
18-5	バネカケ	1	154789-001	45	イトキリウチCカラー	1	153220-001
18-6	イトキリロッドピン	1	152919-001	46	イドウハカラー	1	153219-001
19	イトキリカムレバーツメ	1	152915-001	48	バネカケ	1	141334-001
20	ナベコ 5.95-28X14	1	062761-412	50	シタイトサハキA	1	152906-101
21	ヒラザガネシヨウ6	1	025060-132	51	シメネジ 4.37	1	153598-001
22	イトキリカムレバーク	1	152916-001	52	オリシクPB	1	081008-070
23	ワザガネ	1	152917-001	53	シタイトサハキカラー	1	153597-001
24	トメワシクヨウC12	1	048120-142	54	ワザガネ	1	153596-001

R. 糸ユルメ関係 / Tension Release mechanism / Spannungsverminderung
 Mécánisme de relâche-tension / Mecanismo de liberador de tensión



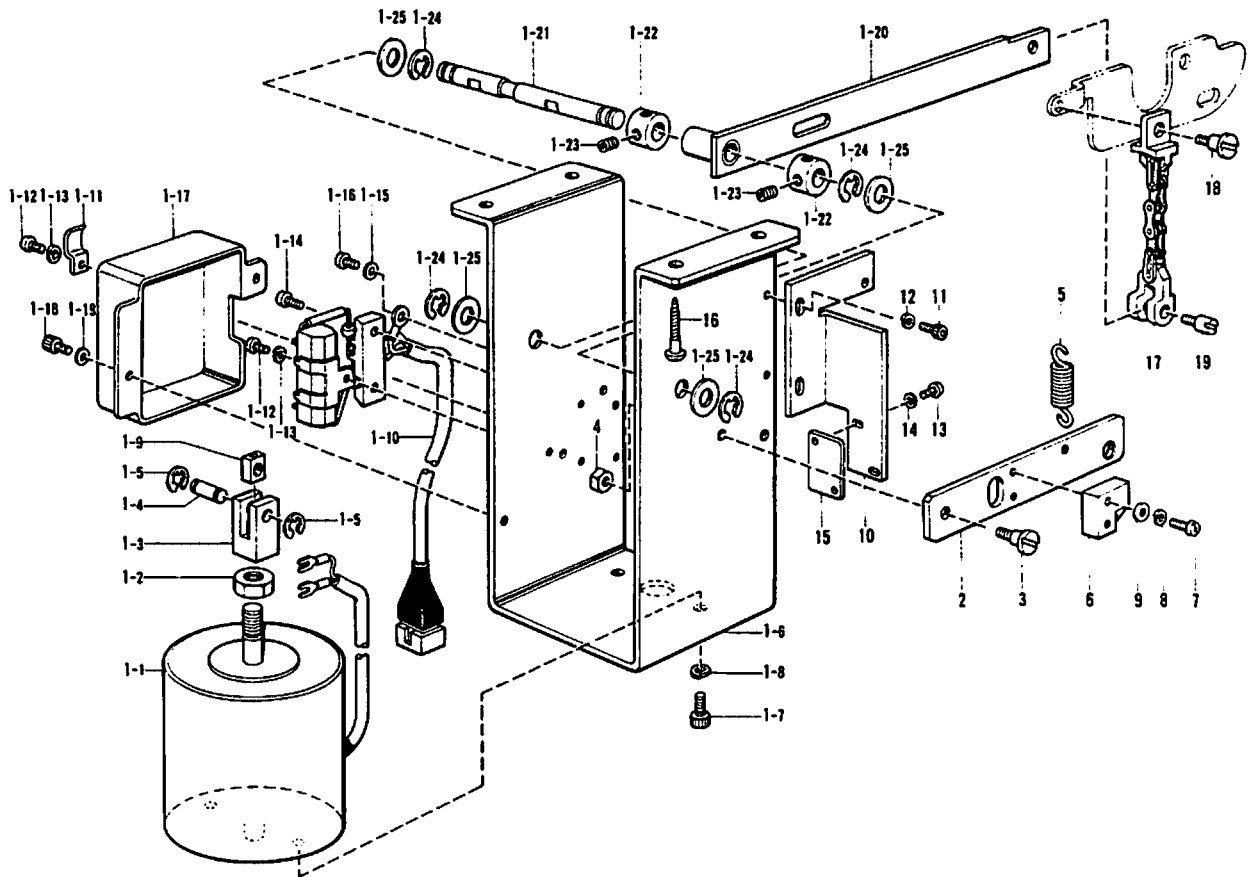
参照番号 Ref.No	品名 Name of Parts	数量 Qty	部品コード Parts No
1	レバーブラケット Lever Bracket	1	S07093-001
2	イトオサエクドワレバー Thread Presser Crank Lever	1	S07092-001
3	ダンネジ4.37 Stud Screw 4.37	1	144526-001
4	ダンネジ4.37 Stud Screw 4.37	2	148417-001
5	イトユルメワイヤクミ Tension Release Wire Assembly	1	S07081-001
6	ワイヤササエダイ Wire Supporting Bracket	1	S07086-001
7	ワイヤオサエ Wire Presser	2	153941-001
8	アナボルト4.37×5 Bolt 4.37×5	2	018680-522
9	ナベコ437-40×6 Screw 437×6	2	062680-512
10	ヒキコミレバー Pull Lever	1	S07082-001
11	ダンネジ4.37 Stud Screw 4.37	1	144526-001
12	ダンネジ4.37 Stud Screw 4.37	1	S07083-001
13	ヒラザガネチュウ4.37 Washer 4.37	1	025680-232
15	ナット2シュ4.37 Nut 4.37	1	021680-202
16	バネカケ Spring Hook	2	S07097-001
17	ナベコ437-40×6 Screw 437×6	2	062680-512
18	スライダA Slider (A)	1	S07087-001
19	ボタンウカシボウ0.8 Button Float Bar 0.8	1	S07111-001
20	ナベコ238-56×6 Screw 238×6	2	062630-512
21	スライダバネ Spring	1	S07091-001
22	スタッド Stud	1	150721-001

S. 糸払い関係 / Tread wiper mechanism / Fadenwischvorrichtung
 Mécánisme de tire-fil / Mecanismo de limpiador de hilos



参照番号 Ref.No	品名 Name of Parts	数量 Qty	部品コード Parts No
1	ワイパーロッド Thread Wiper Rod Snare	1	152815-001
2	ワイパーロッドクミ Thread Wiper Rod Assembly	1	152816-001
3	アタメネシ4.37クボミ Screw 4.37×6	1	014680-522
4	トメワE6 Stop Ring E6	1	048060-342
5	ワカネ Washer	2	116629-001
6	ワイパーシク Thread Wiper Snare	1	152822-001
7	ヒラザガネチュウ6.35 Washer 6.35	1	025770-232
8	トメワE4 Stop Ring E4	1	048040-342
9	アタメネシ4.37クボミ Screw 4.37×6	1	014680-522
10	ワイパーウテクミ Thread Wiper Line Assembly	1	152823-001
11	トメワE3 Stop Ring E3	1	048030-342
12	オイルリゼン O-Ring	1	152827-001
13	トメネシ4.76クボミ Screw 4.76	1	013710-712
14	ワイパーA ---	1	156206-001
15	ナベコ357-40×5 Screw 357×5	1	062670-512
17	ヒラザガネチュウ Washer	1	025350-132

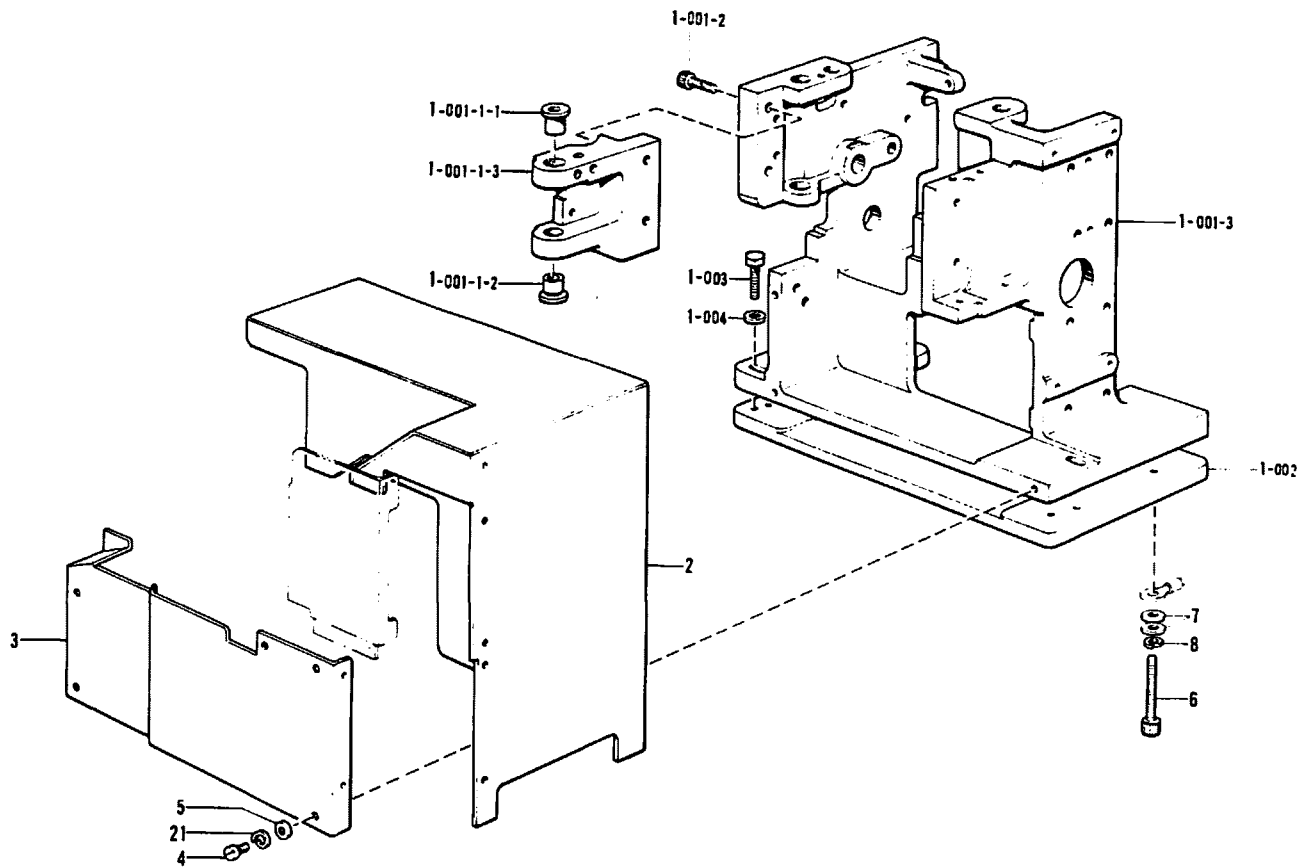
a. 起動装置関係 / Starting device mechanism / Startvorrichtung
 Mécanisme de dispositif de démarrage / Mecanismo del dispositivo de arranque



参照番号 Ref No	品名 Name of Parts	数量 Qty	部品コード Parts No	参照番号 Ref No	品名 Name of Parts	数量 Qty	部品コード Parts No
1	キトウソウタキミ	1	S07108-001	1-22	セットカラー	7	S05392-001
1-1	キトウソウソレノイト	1	S10549-000	1-23	アタクボミ6×6	4	014060-632
1-2	ナット3シュ8	1	021080-302	1-24	トメワE8	4	048080-342
1-3	プランシヤツキテ	1	S09636-001	1-25	ヒラザカネショウ10	4	025100-132
1-4	ピン	1	S09637-001	2	フミコミレハー	1	S05881-001
1-5	トメワE4	2	048040-342	3	タンネシ6 35	2	158998-001
1-6	ソレノイトタイ	2	S07055-001	4	ナット6 35	2	150554-002
1-7	アチホルト6×12	2	018061-222	5	フミコミレハーバネ	1	S05882-001
1-8	ハネサカネ2-6	2	028060-243	6	スイッチドック	1	S05884-000
1-9	ハリボウアンナイカクコマ	1	102630-001	7	プラスチック4×14	2	002401-402
1-10	タンシタイクミ	1	S11073-000	8	ハネサカネ2-4	2	028040-242
1-11	コードオサエL	1	142268-001	9	ヒラザカネショウ4	2	025040-232
1-12	プラスチック3×6	2	002300-603	10	スイッチトリツケイタ	1	S07138-001
1-13	ハネサカネ2-3	2	028030-242	11	アチホルト4×8	2	018400-832
1-14	プラスチック1×10	2	002301-003	12	ハネサカネ2-4	2	028040-242
1-15	ワカネ	1	S02745-001	13	プラスチック3×16	2	002301-603
1-16	プラスチック4×6	1	002400-663	14	ハネサカネ2-3	2	028030-243
1-17	タンシタイカバー	1	S02592-001	15	トリツケウライタ	1	S05973-001
1-18	アチホルト4×8	2	018400-832	16	ワルモクネシ6 2×32	4	101125-000
1-19	ヒラザカネショウ4	2	025040-232	17	SPチェーンクミ	1	S07172-001
1-20	キトウレバー	1	S07099-001	18	タンネシ6 35	1	159394-001
1-21	キトウレバースナ	1	S07122-001	19	クランシストノバサウエシク	1	115544-001

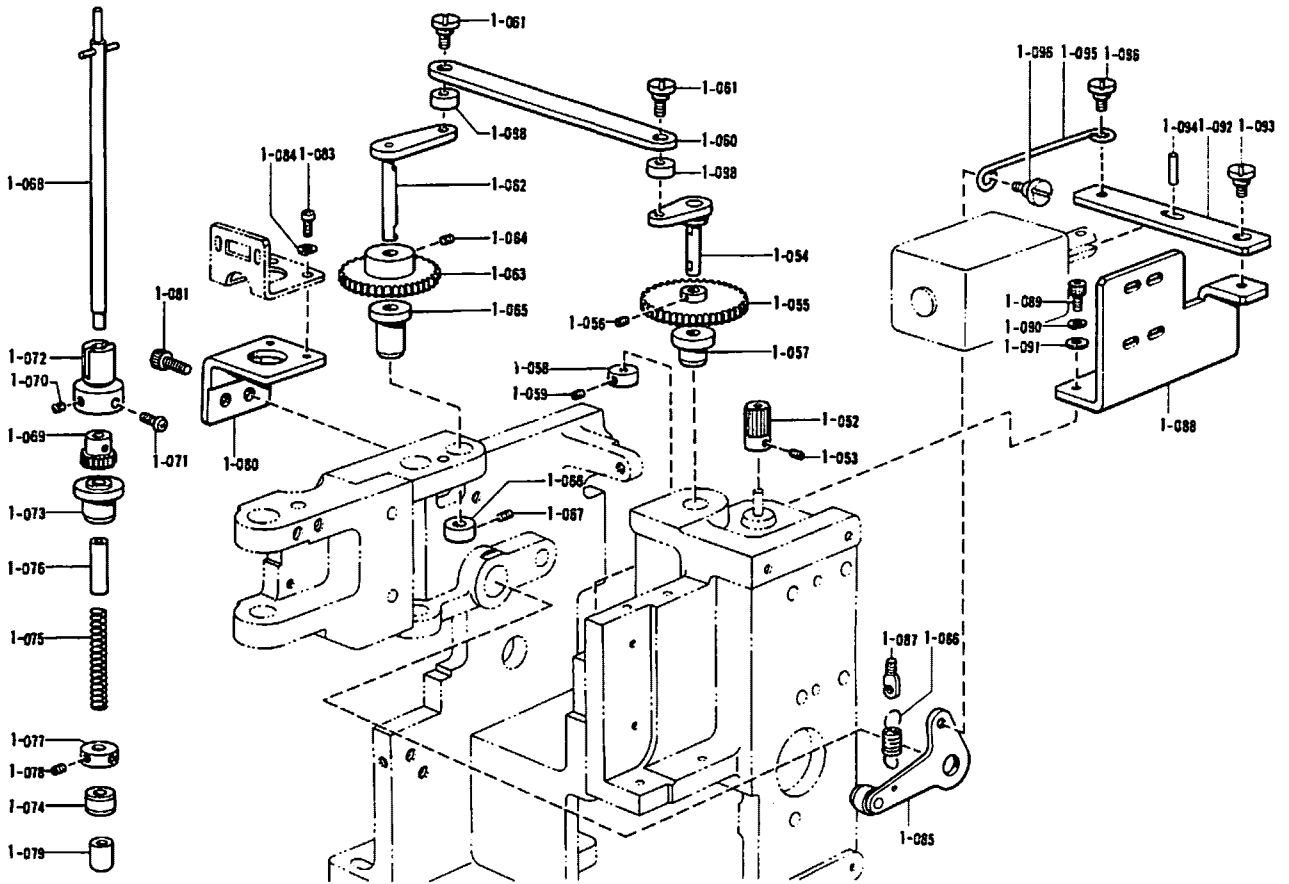
b. ボタンフィーダ関係(1) / Button feeder mechanism (1) / Knopfführungvorrichtung (1)

Alimentation pour boutons (1) / Botón de alimentación (1)



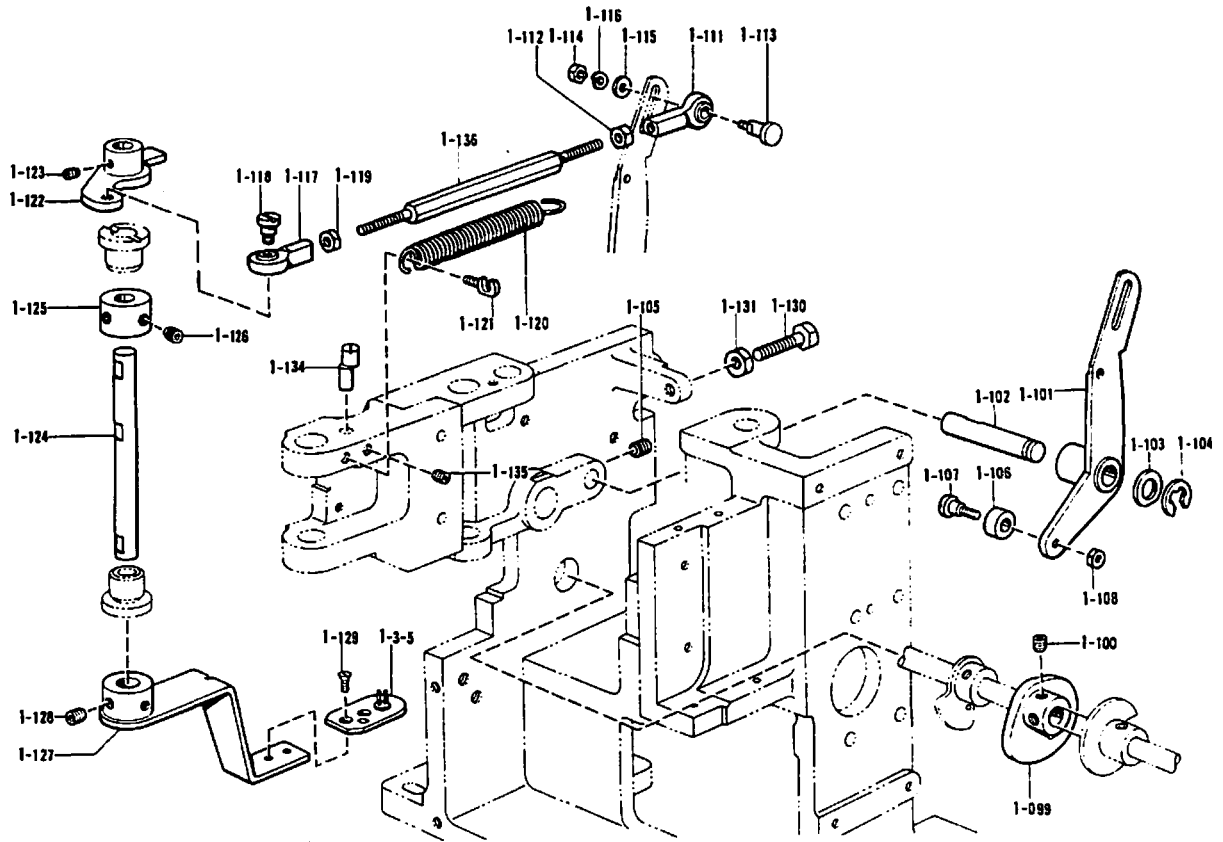
参照番号 Ref No	品名 Name of Parts	数量 Qty	部品コード Parts No	参照番号 Ref No	品名 Name of Parts	数量 Qty	部品コード Parts No
1	ボタンフィーダー本体アSEMBリー	1	S07102-001	1-004	ヒラサカネチュウ 6	3	025060-232
1-001	フィーダー本体アSEMBリー	1	S07067-001	2	本体カバーアSEMBリー	1	S07060-001
1-001-1	ボタンキャリアササエタイLアSEMBリー	1	S07065-001	3	マエカハ	1	S10504-001
1-001-1-1	BワシニングメタルU	1	S05378-000	4	ヒラネシ 4x8	12	007400-813
1-001-1-2	BワシニングメタルD	1	S05379-000	5	ヒラサカネチュウ 4	11	025040-232
1-001-1-3	BキャリアササエタイL	1	S07062-001	6	アナホルト 6x50	3	018065-022
1-001-2	アナホルト 6x70	2	018062-022	7	ワカネ	4	115947-001
1-001-3	ボタンフィーダー本体	1	S07064-001	8	ハネサカネ 2-6	3	028060-242
1-002	ボタンフィーダーベース	1	S07061-001	21	ハネサカネ 2-4	12	028040-243
1-003	ホルト 6x70	3	017062-003				

b. ボタンフィーダ関係(4) / Button feeder mechanism (4) / Knopfzuführungvorrichtung (4)
 Alimentation pour boutons (4) / Botón de alimentación (4)



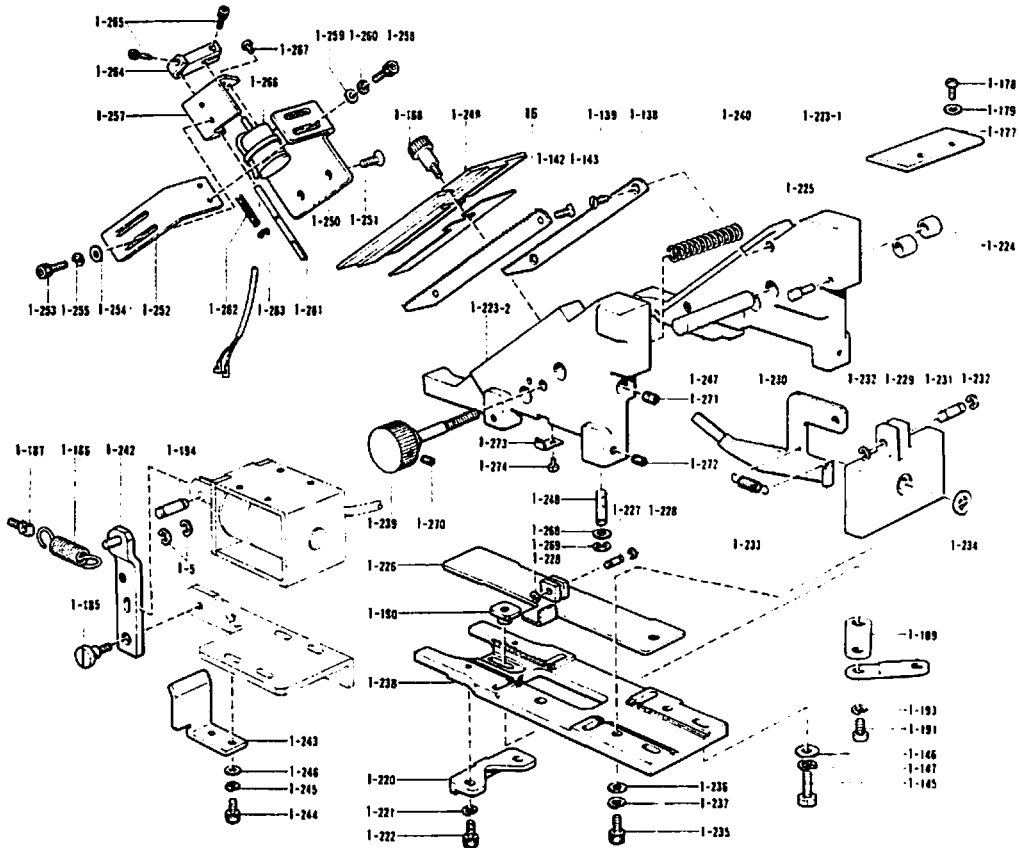
参照番号 Ref.No	品名 Name of Parts	個数 Q ty.	部品コード Parts No	参照番号 Ref.No	品名 Name of Parts	個数 Q ty.	部品コード Parts No
1-052	スリモミーターギヤ	1	S05334-000	1-075	スリモミオシツクバネ	1	S10704-001
1-053	アタクボミ3x4	2	014300-432	1-076	バネアライナー	1	S10708-001
1-054	ギヤシクA	1	S05335-001	1-077	スリモミシクツク	1	S10707-001
1-055	スリモミヨウギヤ	1	S05337-000	1-078	アタクボミ4x5	2	014400-522
1-056	アタクボミ3x4	2	014300-432	1-079	ボタンオサエC	1	S06570-000
1-057	ギヤシクAヨウメタル	1	S05338-000	1-080	カイト	1	S07074-001
1-058	セットカラーA	1	S05339-001	1-081	アナホルト4x10	2	018401-022
1-059	アタクボミ3x4	2	014300-432	1-083	プラスナベシク3x8	2	002300-803
1-060	スリモミレンケツレバー	1	S05340-001	1-084	バネサカネ2-3	2	028030-242
1-061	ダンネシM4	2	S05341-001	1-085	オンアケクランクミ	1	S05359-001
1-062	ギヤシクB	1	S05342-001	1-086	スリモミシクヒバリバネ	1	S05363-001
1-063	シャフトギヤA	1	S05343-000	1-087	バネカク	1	141334-001
1-064	アタメネシクボミ	2	014500-522	1-088	ソレノイトリツケイタ	1	S05364-001
1-065	ギヤシクBヨウメタル	1	S05344-000	1-089	アナホルト8x10	3	018401-022
1-066	セットカラーB	1	S05345-001	1-090	バネサカネ2-4	3	028040-242
1-067	アタメネシクボミ	2	014500-522	1-091	ヒラサカネチユウ4	3	025040-232
1-068	シャフトクミ	1	S10701-001	1-092	ソレノイトレンケツアーム	1	S05365-001
1-069	シャフトギヤB	1	S10703-000	1-093	ダンネシM4	1	S05341-001
1-070	アタクボミ3x4	1	014300-432	1-094	ブラシシヤビン	1	148546-001
1-071	プラスナベ3x5クロ	1	002300-502	1-095	ワイヤ	1	S05367-001
1-072	スリモミシクアライナー	1	S10709-001	1-096	ダンネシM4	2	S05341-001
1-073	スリモミシクメタルA	1	S10705-000	1-098	コロ	2	S05972-000
1-074	スリモミシクメタルB	1	S10706-000				

b. ボタンフィーダ関係(5) / Button feeder mechanism (5) / Knopfzuführungvorrichtung (5)
 Alimentation pour boutons (5) / Botón de alimentación (5)



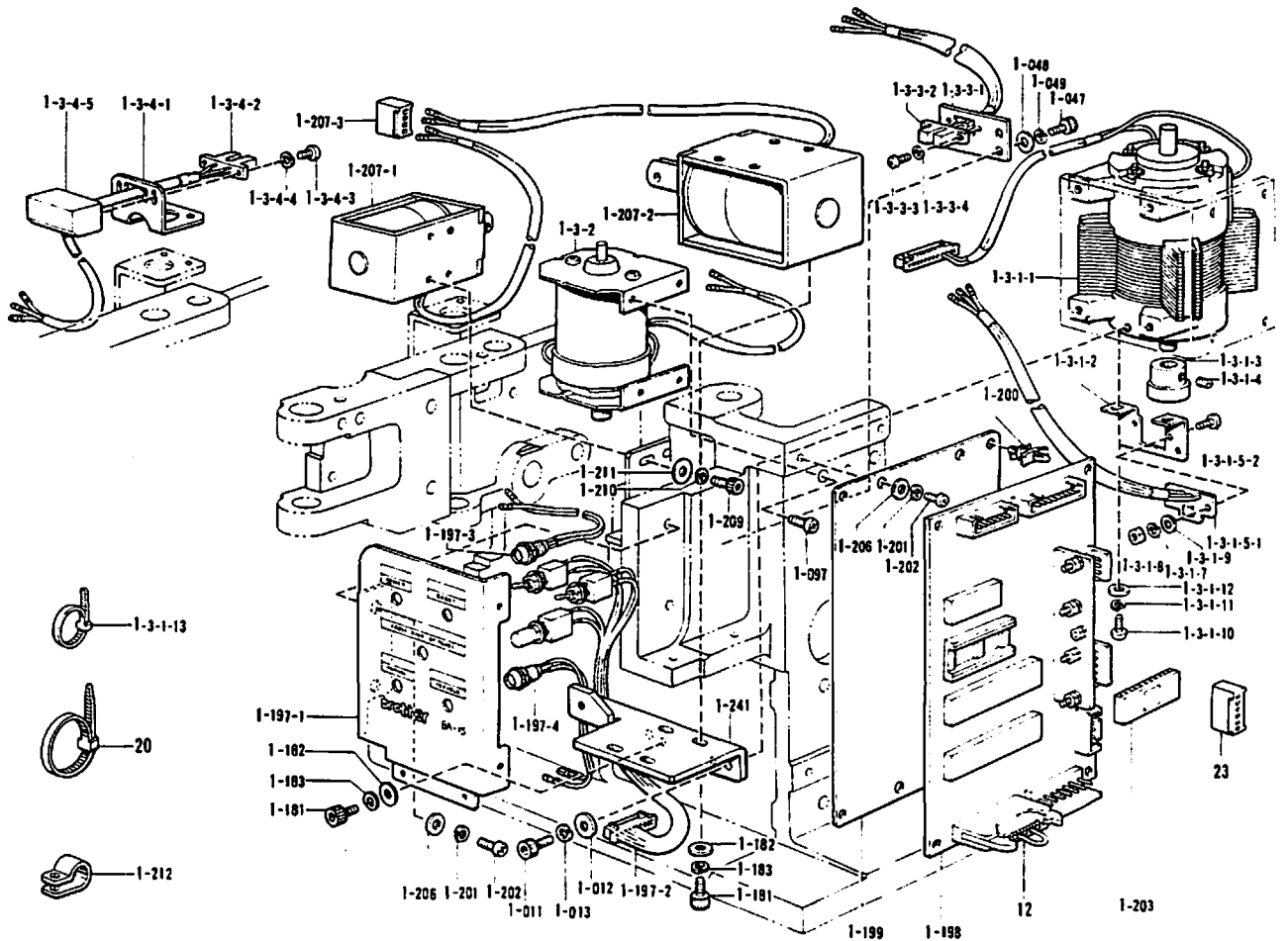
参照番号 Ref No	品名 Name of Parts	数量 Qty	部品コード Parts No	参照番号 Ref No	品名 Name of Parts	数量 Qty	部品コード Parts No
1-099	ボタンキャリカム	1	S05368-101	1-119	ナット5.95	1	148592-001
1-100	アナクボミ6×6	2	014060-632	1-120	カムフォローアBヨウハネA	1	S05375-001
1-101	カムフォローアBヨウアーム	1	S05369-001	1-121	バネカケ	1	141334-001
1-102	アームBヨウシテンピン	1	S05370-001	1-122	ボタンイドワイヨウアームB	1	S05376-001
1-103	ワカネ	1	110367-001	1-123	アナクボミ6×6	2	014060-632
1-104	トメワE6	1	048060-342	1-124	ボタンウンパンシク	1	S07128-001
1-105	アナクボミ6×6	1	014060-632	1-125	セットカラー	1	S07129-001
1-106	カムフォローア	1	S05371-001	1-126	アナトメネジ6×6クボミ	2	014050-622
1-107	タンネシM4	1	S05341-001	1-127	ボタンイドワイヨウアームA	1	S07075-001
1-108	2シュナット4	1	021400-202	1-128	アナクボミ6×6	2	014050-632
1-111	タマツネタクミR	1	148587-001	1-129	サラネジ3.57×4	2	S06044-001
1-112	ナット5.95	1	100022-005	1-130	ボルト6×25	1	017062-503
1-113	タンネシ	1	S05373-001	1-131	ナット1シュ6	1	021060-106
1-114	2シュナット4	1	021400-202	1-134	ヘンシンピン	1	S06119-001
1-115	ヒラザカネチュウ4	1	025040-232	1-135	アナトメネジ3.95クボミ	1	014760-622
1-116	ハネサカネ7-4	1	028040-242	1-136	レンケツツク	1	S07076-001
1-117	タマツネタクミL	1	148589-001	1-3-5	ボタンウケタイクミ(3.2mm)	1	S06686-004
1-118	タマツネタンネシ	1	S05336-001				

b. ボタンフィーダ関係(6) / Button feeder mechanism (6) / Knopfzuführungvorrichtung (6)
 Alimentation pour boutons (6) / Botón de alimentación (6)



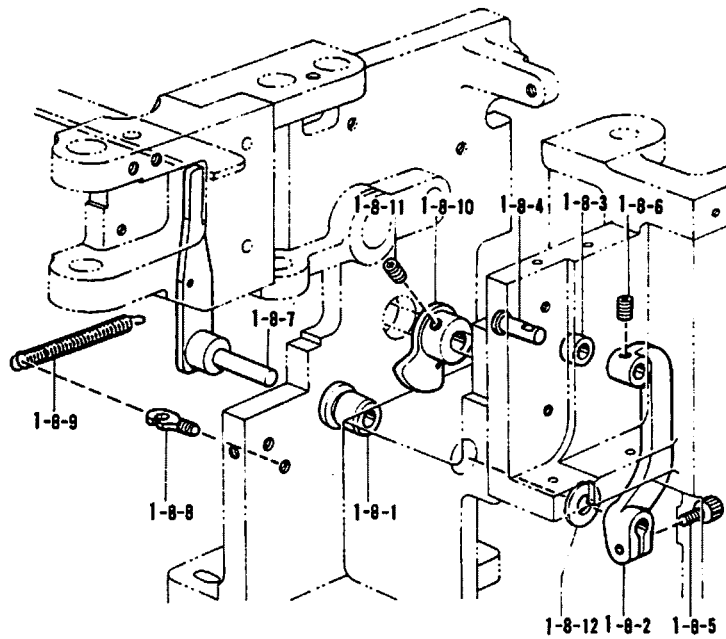
参照番号 Ref.No.	品名 Name of Parts	数量 Q'ty	部品コード Parts No	参照番号 Ref.No.	品名 Name of Parts	数量 Q'ty	部品コード Parts No
1-130	ボタンスベリイタ A	1	S05394-001	1-238	スベリダイシタダイ	1	S09594-001
1-139	サラネジ 57×6	2	S01696-001	1-239	スベリダイネジクミ	1	S09590-001
1-142	ボタンスベリイタ B	1	S05397-001	1-240	スベリダイバネ	1	S09574-001
1-143	サラネジ 57×6	2	S01696-001	1-242	ウケイタドウレバー	1	S09581-001
1-145	ボルト 5×16	2	017501-602	1-243	イドウレバーアテイタ	1	S09579-001
1-146	ヒラザガネチュウ 5	2	025050-232	1-244	アナホルト 4×8	2	018400-822
1-147	バネザガネ M5	1	028050-242	1-245	バネザガネ 2-4	2	028040-242
1-188	ツミネジ 57	1	S10512-001	1-246	ヒラザガネチュウ 4	2	025040-232
1-177	スベリダイウエイタ	1	S05421-001	1-247	スベリダイアンナインク	2	S09571-001
1-178	プラスチックネジ 3×8	2	002300-803	1-248	スベリダイアンナインク	4	S09576-001
1-179	ヒラザガネチュウ 3	2	025030-233	1-249	ボタンウエカカバー A	1	S09501-100
1-185	ダンネジ M4	1	S05424-001	1-250	ソレノイドベース	1	S09584-001
1-186	シャッターバネ	1	S09609-001	1-251	サラコシ 3×8	2	061500-804
1-187	バネカケ	1	141334-001	1-252	ソレノイドリソクイタ	1	S09585-001
1-189	スベリダイリンク	2	S05888-001	1-253	アナホルト 4×8	2	018400-822
1-190	リンクシヤン	1	S05889-001	1-254	ヒラザガネチュウ 4	2	025040-232
1-191	ナベコ M6×6	1	062400-616	1-255	バネザガネ 2-4	2	028040-242
1-193	バネザガネ 2-4	1	028040-242	1-257	ストッパバネ	1	S09586-001
1-194	プランジャーピン	1	S06671-001	1-258	アナホルト 4×8	2	018400-822
1-220	ボタンウエカベース	1	S09600-001	1-259	ヒラザガネチュウ 4	2	025040-232
1-221	バネザガネ 2-4	1	028040-242	1-260	バネザガネ 2-4	2	028040-242
1-222	アナホルト 4×12	1	018401-222	1-261	ストッパバネ	1	S09575-001
1-223	スベリダイクミ	1	S09596-001	1-262	ストッパバネ	1	S09573-001
1-223-1	ボタンスベリイタ A	1	S09597-001	1-263	トメワ E2 5	1	048025-342
1-223-2	ボタンスベリイタ B	1	S09598-001	1-264	ストッパバネ	1	S09572-001
1-224	スライドフシ	4	S09599-000	1-265	アナホルト 3×8	2	018300-822
1-225	スベリダイストッパ	2	S09591-000	1-266	ストッパソレノイド	1	S09611-000
1-226	ボタンウエイタクミ	1	S09582-001	1-267	アナホルト 2×4	2	062260-406
1-227	ストッパバネ	1	S09570-001	1-268	ヒラザガネチュウ 5	4	025050-232
1-228	トメワ E2	2	048020-342	1-269	トメワ E3	4	048030-342
1-229	ストッパバネ	1	S09592-001	1-270	アタメネジ 3×6	1	014500-522
1-230	ストッパ A	1	S09593-001	1-271	アタメネジ 6×6	2	014060-622
1-231	ストッパ A サポートシャフト	1	S09587-001	1-272	アタメネジ 4×5	4	014400-522
1-232	トメワ E3	2	048030-342	1-273	ツミイタバネ	1	S09613-001
1-233	スライドバネ	1	S07091-001	1-274	ナベコ 357-40×5	1	062870-512
1-234	イトチヨウシヤラオサエ	1	152877-001	1-5	トメワ E1	2	048020-342
1-235	アナホルト 5×16	2	018051-622	16	スペーサ (0.4mm) (備給用)	1	S09604-000
1-236	ヒラザガネチュウ 5	2	025050-232		スペーサ (0.6mm) (備給用)	1	S09605-000
1-237	バネザガネ 2-5	2	028050-242				

b. ボタンフィーダ関係(7) / Button feeder mechanism (7) / Knopfzuführungvorrichtung (7)
 Alimentation pour boutons (7) / Botón de alimentación (7)



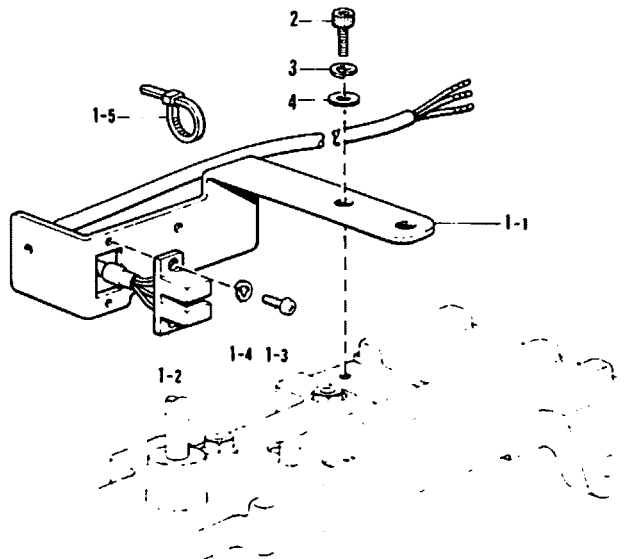
参照番号 Ref No	品名 Name of Parts	数量 Q'ty	部品コード Parts No	参照番号 Ref No	品名 Name of Parts	数量 Q'ty	部品コード Parts No
1-011	アナボルト5×12	2	018501-222	1-1	Bモータ組	1	S07137-001
1-012	ヒラザガネチュウ3	2	025050-232	1-1-1	キャリモータ組	1	S07136-001
1-013	バネザガネ2-3	2	028050-242	1-1-1-1	キャリモータ	1	
1-047	アナボルト4×10	2	018401-022	1-1-1-2	キバンサセ	1	
1-048	ヒラザガネチュウ4	2	025040-232	1-1-1-3	シヤックE/B	1	
1-049	バネザガネ2-4	2	028040-242	1-1-1-4	トメネジ3×3クボ	2	014300-522
1-097	プラスタヘネジ3×8	4	002350-806	1-1-1-5	カイトセンサ組	1	S05729-001
1-181	アナボルト4×10	6	018401-022	1-1-1-5-1	カイトセンサ組#2	1	
1-182	ヒラザガネチュウ4	6	025040-232	1-1-1-5-2	プラスタヘネジ3×6	2	002300-603
1-183	バネザガネ2-4	6	028040-242	1-1-1-6	バネザガネ2-3	2	028030-243
1-181	Bパネル組	1	S07056-001	1-1-1-8	ナット1シュ	2	021300-103
1-197-1	Bパネル	1		1-1-1-9	ヒラザガネチュウ3	2	025030-233
1-197-2	Bパネルスイ	1		1-1-1-10	プラスタヘネジ3×8	2	002300-803
1-197-3	ダンケ	1		1-1-1-11	バネザガネ2-3	2	028030-243
1-197-4	トラブルPL	1		1-1-1-12	ヒラザガネチュウ3	2	025030-233
1-198	キバンB438013組	1	S05323-100	1-1-1-13	バンドPLTIM	1	S04557-000
1-199	キバントリツケイタ	1	S05324-001	1-1-2	キリモミモータ組	1	S05730-001
1-200	サボートBNS	4	S00554-000	1-1-3	ゼロポジ	1	S05731-001
1-201	バネザガネ2-4	6	028040-243	1-1-3-1	センサトリツケイタ	1	
1-202	ナベコ4×8	6	062400-806	1-1-3-2	ホトセンサA	1	
1-203	PROM818A組	1	S10505-000	1-1-3-3	プラスタヘネジ3×8	2	002300-803
1-206	ヒラザガネチュウ4	6	025040-233	1-1-3-4	バネザガネ2-3	2	028030-243
1-207	Bソレノイド組	1	S05738-001	1-1-3-4	キリモミSW組	1	S05734-001
1-207-1	キリモミソレノイド組	1		1-1-3-4-1	センサトリツケイタ	1	
1-207-2	シャッターソレノイド組	1		1-1-3-4-2	ホトセンサB	1	
1-207-3	コネクタVHR-4N	1		1-1-3-4-3	プラスタヘネジ3×10	2	002301-003
1-209	アナボルト4×8	4	018400-832	1-1-3-4-4	バネザガネ2-3	2	028030-243
1-210	バネザガネ2-4	4	028040-242	1-1-3-4-5	センサカバー	1	
1-211	ヒラザガネチュウ4	4	025040-232	12	コネクタ811組	1	S05326-000
1-212	コードホルダ	2	149073-001	20	バンドPLTIM	2	S04557-000
1-241	ソレノイドダイ	1	S07089-001	23	コネクタVHR-6N	1	S12413-001

b. ボタンフィーダ関係(8) / Button feeder mechanism (8) / Knopfzuführungvorrichtung (8)
Alimentation pour boutons (8) / Botón de alimentación (8)



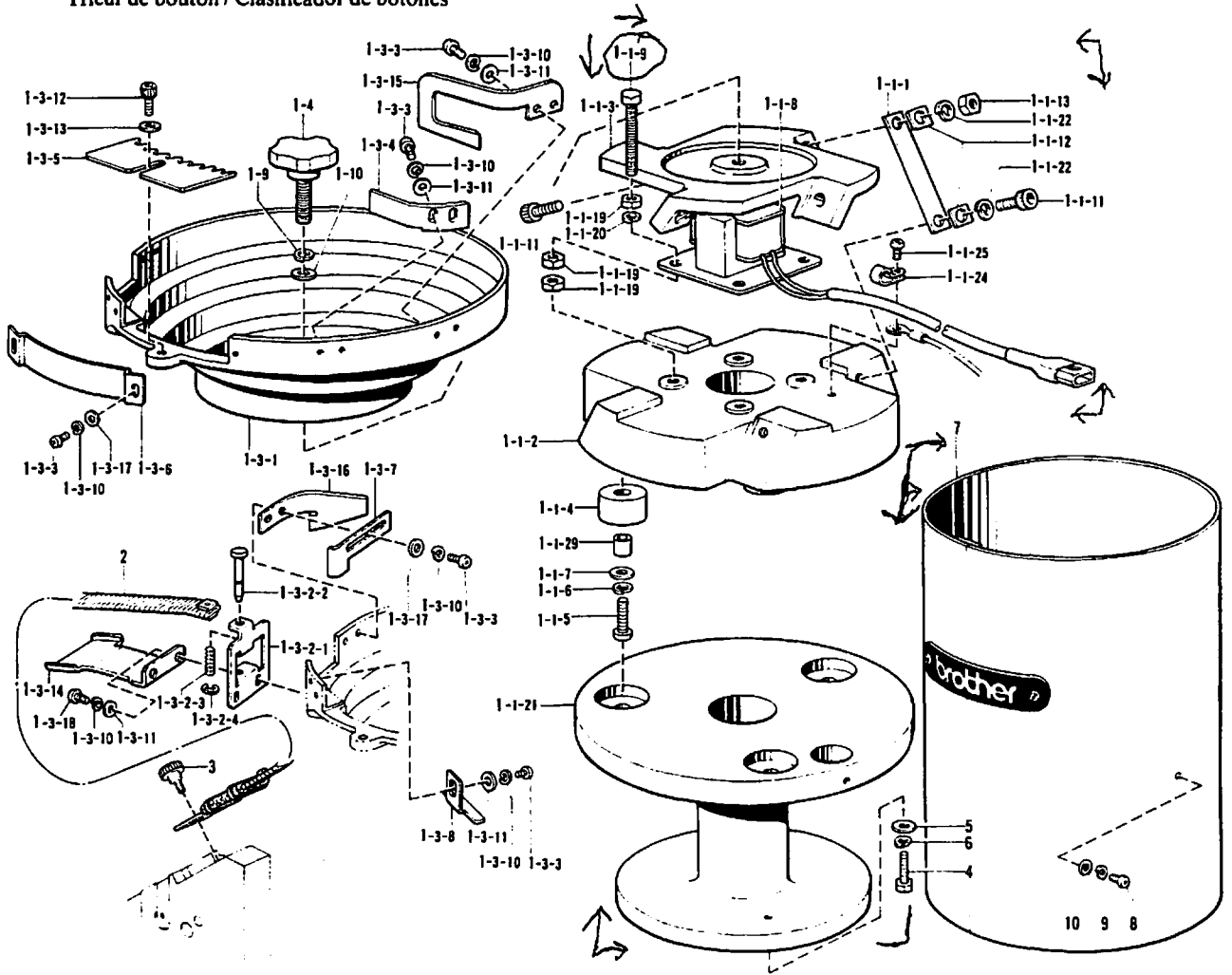
参照番号 Ref.No	品名 Name of Parts	数量 Q'ty	部品コード Parts No.	参照番号 Ref.No	品名 Name of Parts	数量 Q'ty	部品コード Parts No.
1-8-1	ボタンヒラキカムシクメタル	1	S07051-000	1-8-7	ボタンヒラキレバー	1	S07053-001
1-8-2	ボタンヒラキカムレバー	1	S07052-001	1-8-8	バネカケ	1	141334-001
1-8-3	カムフォロア	1	S05371-001	1-8-9	オサエアゲクランクバネ	1	S05391-001
1-8-4	カムフォロアシク	1	S05388-001	1-8-10	ボタンヒラキカム	1	S07054-001
1-8-5	アナホルト5X12	1	018501-222	1-8-11	アナトメネジ6X6クボミ	2	014060-622
1-8-6	アナトメネジ5クボミ	1	014500-522	1-8-12	ザガネ	1	S07127-001

c. ボタン検知関係 / Button detector mechanism / Knopfdetektor
Détecteur de bouton / Detector de botones



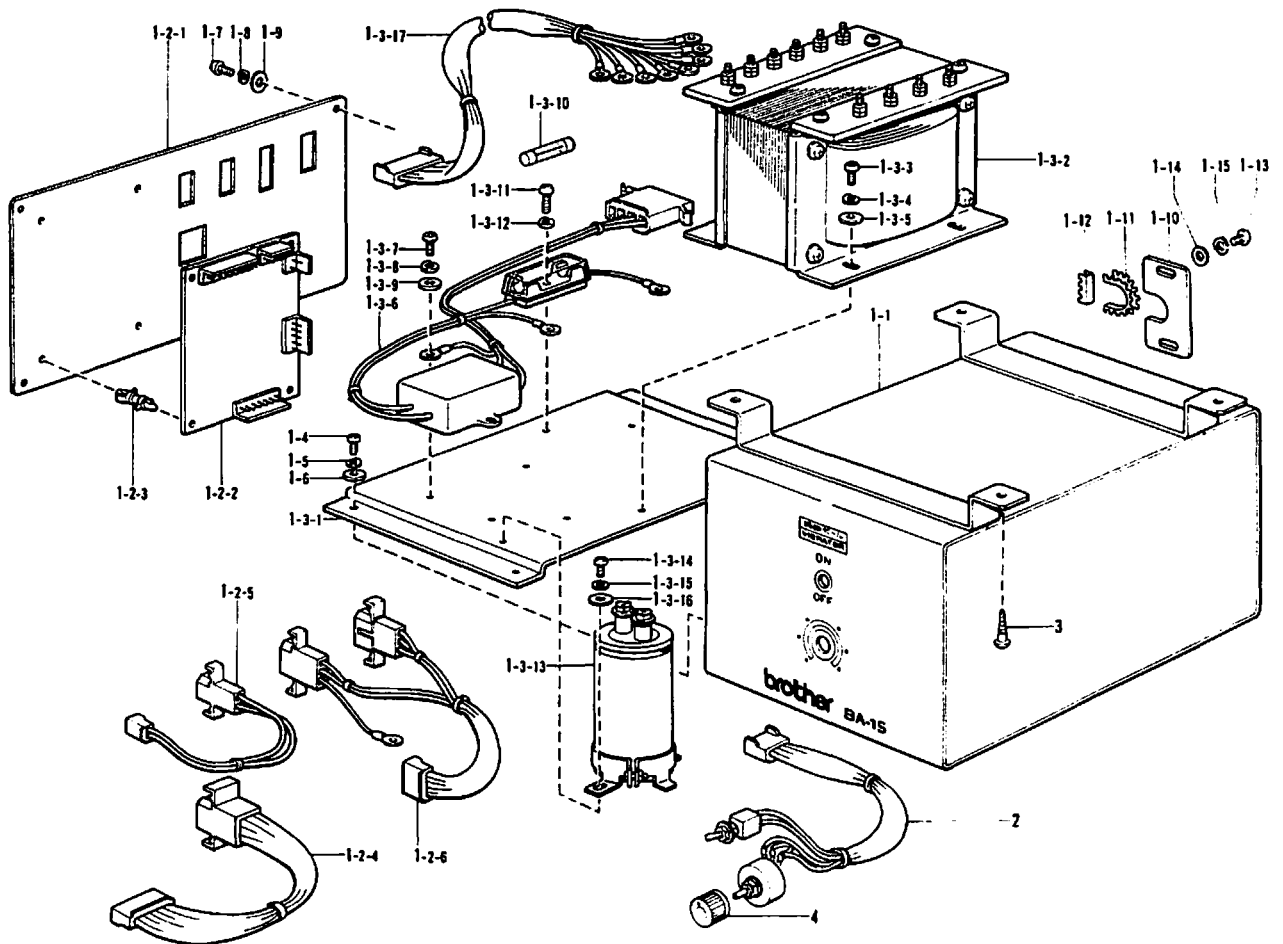
参照番号 Ref.No	品名 Name of Parts	数量 Q'ty	部品コード Parts No.	参照番号 Ref.No	品名 Name of Parts	数量 Q'ty	部品コード Parts No.
1	ボタン検知センサ組	1	S07105-001	1-5	バンタイPLTIM	1	
1-1	センサトリツケイタ	1		2	アナホルト4X8	2	018400-832
1-2	ボトセンサG	1		3	バネザカネ2-4	2	028040-242
1-3	プラスナベネジ3X8	2	002300-803	4	ヒラザカネチユウ4	2	025040-232
1-4	バネザカネ2-3	2	028030-243				

d. フィーダー関係 / Button sorter mechanism / Knopfsortierer
 Tricur de bouton / Clasificador de botones



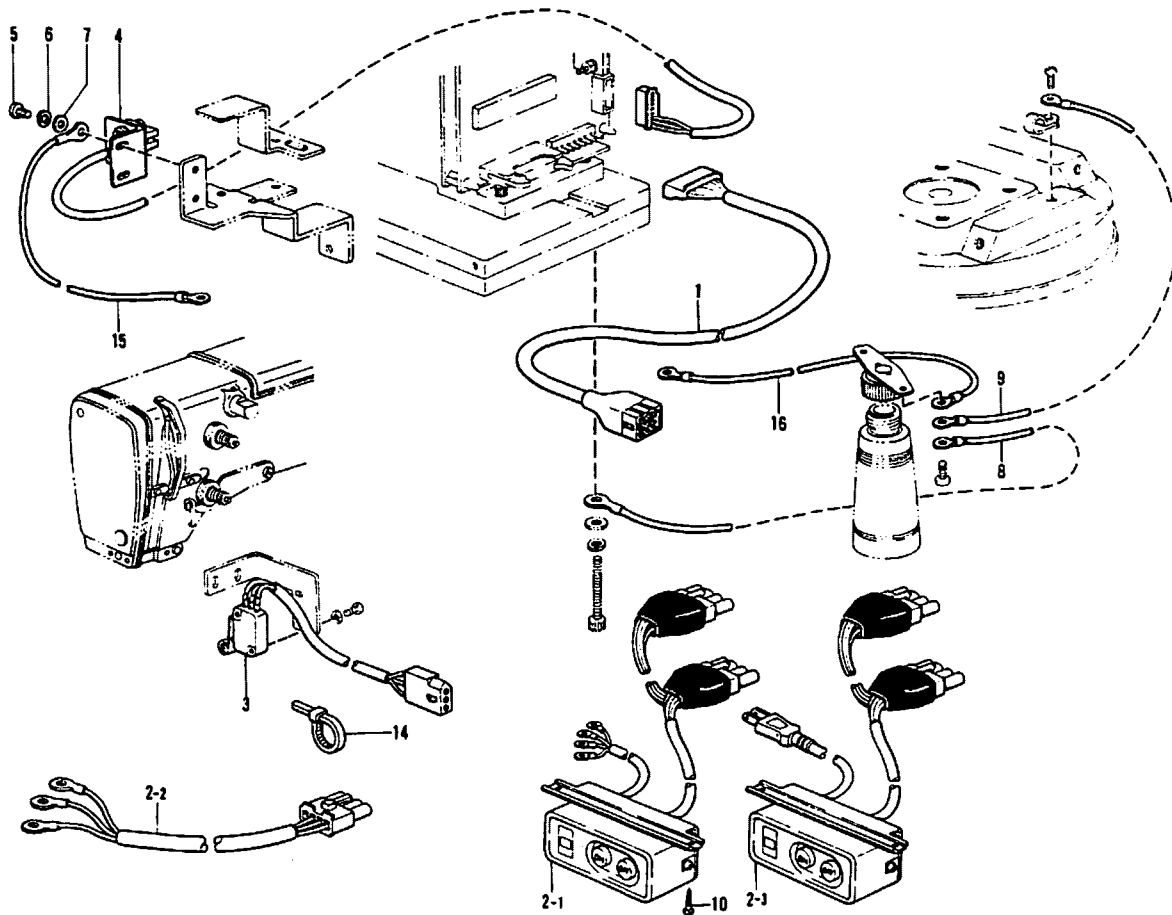
参照番号 Ref No	品名 Name of Parts	個数 Qty	部品コード Parts No	参照番号 Ref No	品名 Name of Parts	個数 Qty	部品コード Parts No
1	シントワボウルソクミ (58HZ)	1	S05426-101	1-3-2-3	トメピンシハネ	1	S05431-001
	シントワボウルソクミ (60HZ)	1	S05426-102	1-3-2-4	トメワ E7.5	1	048025-342
1-1	シントワネクミ (58HZ)	1	S05427-101	1-3-3	アヘコ4x8	9	062400-806
	シントワネクミ (60HZ)	1	S05427-102	1-3-4	セイレンイタA	1	S07163-001
1-1-1	イタハネ0 (58HZ)	4	S06033-001	1-3-5	ヒヨウリセンソウイタ	1	S05433-000
	イタハネ1 (60HZ)	4	S06034-001	1-3-6	センソウハンクテフタ	1	S05435-001
1-1-2	シントワネベースシタ	1	S08480-001	1-3-7	ボタンハッチウソウイタ	1	S07166-001
1-1-3	シントワネベースウエ	1	S05912-101	1-3-8	アライメントプレート	1	S07165-001
1-1-4	クッションゴム	3	S05910-000	1-3-10	ハネサカネ2.4	11	028040-243
1-1-5	プラスチック5x25	3	007502-505	1-3-11	ヒラサカネ2.4	7	025040-233
1-1-6	ハネサカネ2.5	3	028050-242	1-3-12	アナホルト5x10	1	018501-422
1-1-7	ヒラサカネ2.5	3	025050-232	1-3-13	ヒラサカネ2.5	1	025050-232
1-1-8	シントワソレノイト	1	S05914-101	1-3-14	シュータコイルササエ	1	S06072-001
1-1-9	ソレノイトササエホルト	4	S08479-001	1-3-15	セイレンイタB	1	S07164-001
1-1-11	アナホルト8x25	8	018082-522	1-3-16	セイレンイタC	1	S07167-001
1-1-12	ワッシャー	8	S05917-001	1-3-17	ヒラサカネ2.4	4	025040-332
1-1-13	ナット11x10	1	021080-102	1-3-18	アヘコ4x10	2	062401-006
1-1-19	2.2シュアノット6	12	021060-202	1-4	ボウルソクミ	1	S05438-100
1-1-20	ハネサカネ2.6	8	028060-242	1-9	ハネサカネ2.6	1	028080-242
1-1-21	ダイヤ	1	S05901-101	1-10	ヒラサカネ2.4	1	025080-336
1-1-22	ハネサカネ2.8	8	028080-242	2	シュータコイル2.12 (1x15)	1	S07042-001
1-1-24	コートオサエ	1	149547-000	3	ツマミネジ3.5	1	S06441-001
1-1-25	アヘコ4x8	1	062400-806	4	ホルト6x6	2	144543-001
1-1-29	クッションカラー	3	S06613-001	5	ワッシャー	7	115947-001
1-3	シントワボウルソクミ	1	S06072-101	6	ハネサカネ2.6	2	028060-242
1-3-1	シントワボウル	1		7	ボタンソーターカバーアッセンブリ	1	
1-3-2	クチカネクミ	1	S05428-001	8	アナホルト5x10	3	018501-022
1-3-2-1	クチカネ	1	S05429-001	9	ハネサカネ2.5	3	028050-242
1-3-2-2	シュータートメピン	1	S05430-001	10	ヒラサカネ2.5	1	025050-232

e. コントロールボックス関係 / Control box mechanism / Schaltkasten
 Mécanisme du boîtier de contrôle / Mecanismo del caja de controles



参照番号 Ref No	品名 Name of Parts	個数 Qty	部品コード Parts No	参照番号 Ref No	品名 Name of Parts	個数 Qty	部品コード Parts No
1	ボックス組	1	S07058-001	1-3-12	ハネサカナネ2-4	1	028040-243
1-1	コントロールボックス	1		1-3-13	チンC50B103	1	
1-2	ボックスフタ組	1		1-3-14	プラスナヘネシ3×8	2	002300-803
1-2-1	コントロールボックスフタ	1		1-3-15	ハネサカナネ2-3	2	028030-243
1-2-2	ネハンB436921クミ	1	S05475-000	1-3-16	ヒラサカナネチュウ3	2	025030-233
1-2-3	サポートBNS	4		1-3-17	トランスケーブル組	1	
1-2-4	ケーブルA組	1		1-4	ナヘコ4×8	4	062400-806
1-2-5	ケーブルB組	1		1-5	ハネサカナネ2-4	4	028040-243
1-2-6	ケーブルE組	1		1-6	ヒラサカナネチュウ4	4	025040-233
1-3	マウントイタ組	1		1-7	ナヘコ4×8	4	062400-806
1-3-1	マウントイタ	1		1-8	ハネサカナネ2-4	4	028040-243
1-3-2	トランスB	1		1-9	ヒラサカナネチュウ4	4	025040-233
1-3-3	ナヘコ4×8	4	062400-806	1-10	ボックスフタB	1	
1-3-4	ハネサカナネ2-4	4	028040-243	1-11	アイロンシヤイフノコ	1	
1-3-5	ヒラサカナネチュウ4	4	025040-233	1-12	アイロンシヤイフノコ	1	
1-3-6	ノイズフィルタ組	1		1-13	ナヘコ4×8	2	062400-806
1-3-7	プラスナヘネシ3×8	2	002300-803	1-14	ヒラサカナネチュウ4	2	025040-233
1-3-8	ハネサカナネ2-3	2	028030-243	1-15	ハネサカナネ2-4	2	028040-243
1-3-9	ヒラサカナネチュウ3	2	025030-233	2	ケーブルD組	1	S05484-000
1-3-10	カンヒューズ3A	1	215769-001	3	プラスマルモネシ4.5×25	4	032452-502
1-3-11	プラスナヘネシ4×14	1	002401-403	4	ツマミ	1	S07907-000

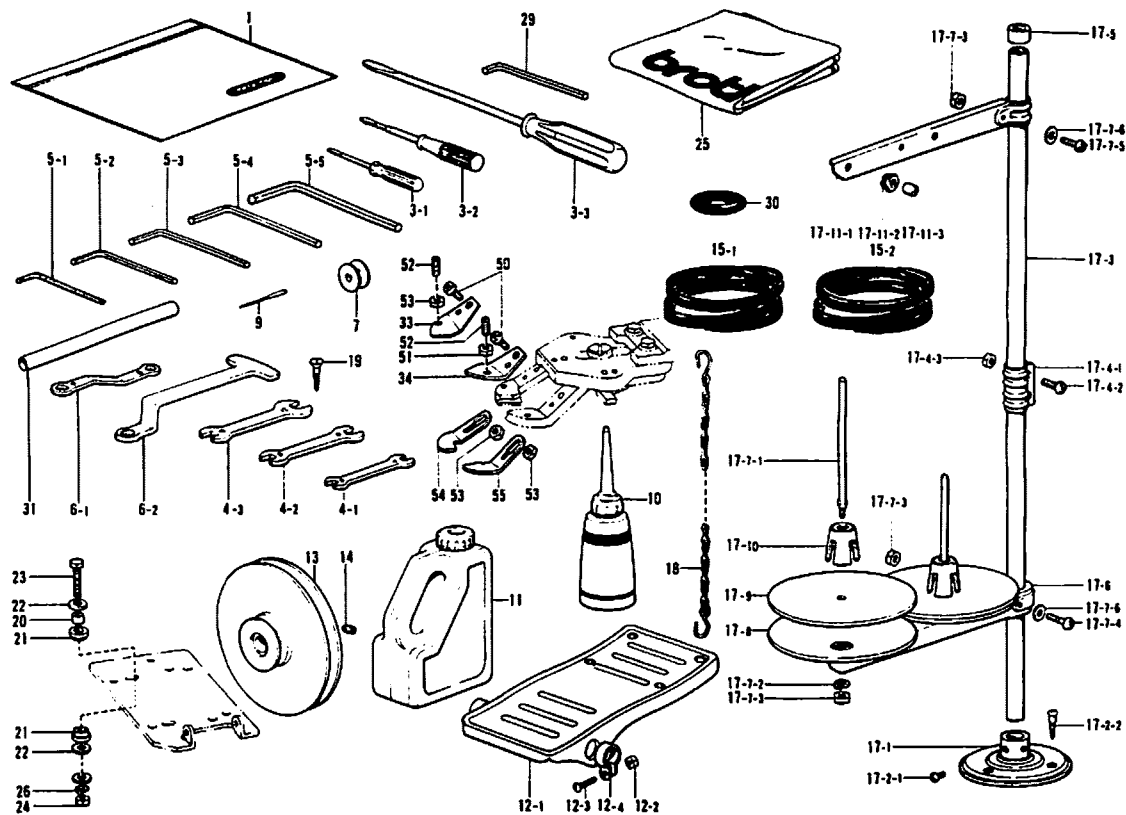
f. 電装品関係 / Power supply equipment mechanism / Stromversorgung
 Mécanisme de l'équipement en alimentation électrique / Mecanismo de la equipo de alimentación de corriente



参照番号 Ref.No	品名 Name of Parts	個数 Qty.	部品コード Parts No	参照番号 Ref.No	品名 Name of Parts	個数 Qty.	部品コード Parts No
1	Bレンケツケーブル組ミ B Connection Cable Assembly	1	S05485-000	7	ヒラザガネチュウジ Washer J	2	025030-233
2-1	デンゲンコードクミA Power Supply Cord Assembly (A)	1	S07126-001	8	アースコードE Cord (E)	1	S07984-000
2-2	デンゲンコードクミB Power Supply Cord Assembly (B)	1	S06252-000	9	アースコードF Cord (F)	1	S07985-000
2-3	デンゲンコードクミB Power Supply Cord Assembly (B)	1	S10776-001	10	プラスマルモクネジ4.5x25 Screw 4.5x25	2	032452-502
3	スタートSWクミ Start Switch Assembly	1	S05488-000	14	バンタイPLTIM Band PLTIM	6	S04557-000
4	ミシンテイシSWクミ Sewing Machine Switch Assembly	1	S07104-001	15	アースコードG Cord (G)	1	S07986-000
5	プラスナベネジ3x8 Screw 3x8	2	002300-803	16	アースコードH Cord (H)	1	S10699-000
6	バネザカネ2-3 Spring Washer 2-3	2	028030-243				

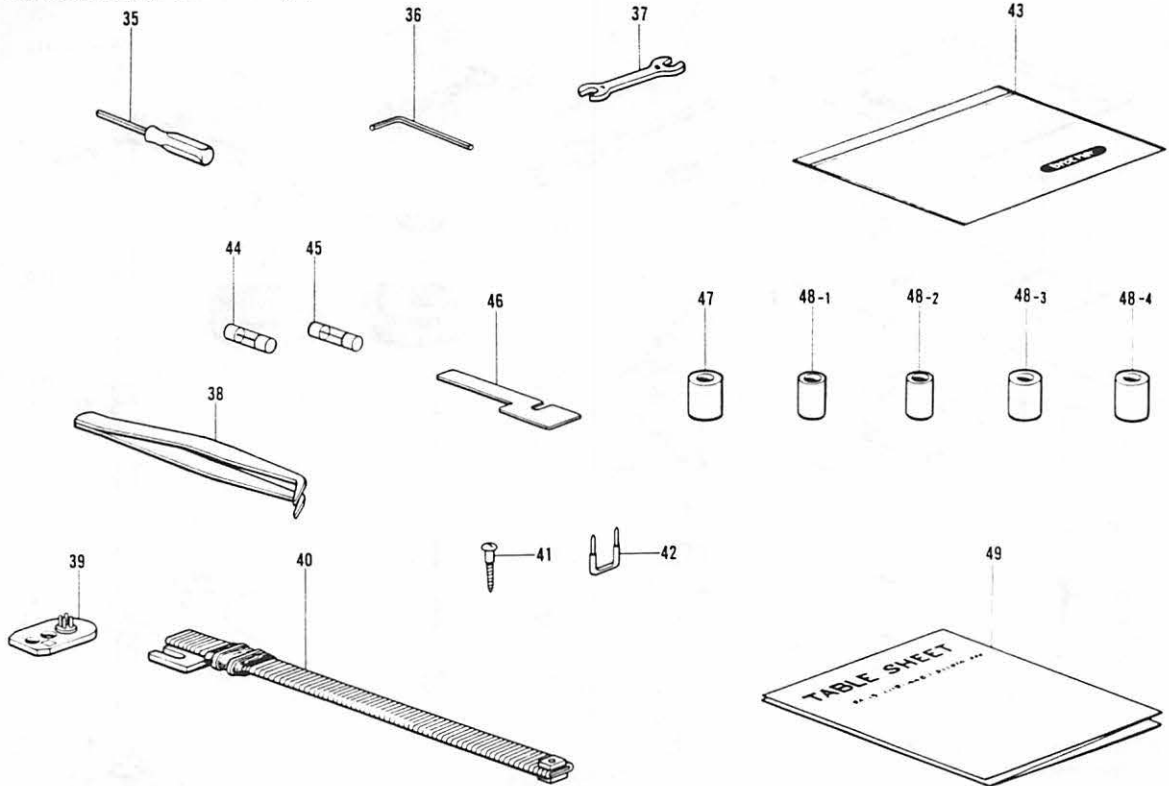
用途 Application	単相 Single-phase		三相 Three-phase		単相 Single-phase		三相 Three-phase	
	100V 50HZ	110V 60HZ	200V 50HZ 60HZ		220V 50HZ 60HZ		380V 50HZ	415V
品名 Name of Parts	国内用 for Domestic		国内用 for Domestic		輸出用 for Export			
デンゲン コードクミ Power Supply Assembly	S10776-001	S06252-000	S07126-001		S06252-000			

Z. 付属品関係(1) / Accessories (1) / Zubehör (1)
Accessoires (1) / Accesorios (1)



参照番号 Ref.No.	品名 Name of Parts	数量 Q'ty	部品コード Parts No.	参照番号 Ref.No.	品名 Name of Parts	数量 Q'ty	部品コード Parts No.
1	フックヒンボリフクロ	1	122991-001	17-4-3	1シュナット5	2	021500-106
3-1	ネジマワシ 8×32	1	142443-001	17-5	コラムキャップ	1	150174-000
3-2	ネジマワシ 4×70	1	118837-001	17-6	スプールホルダー2	1	S02778-001
3-3	ネジマワシ 5×190	1	101572-101	17-7	スプールネジセット2	1	S02780-001
4-1	スパナ8×7	1	107779-001	17-7-1	スプールジクB	2	150179-002
4-2	スパナ8×8	1	100887-001	17-7-2	バネワッシャー2-5	2	028050-246
4-3	スパナ10×12	1	107780-001	17-7-3	1シュナット5	4	021500-106
5-1	6カクボウスパナ2	1	142002-001	17-7-4	ナベコ5×30	1	062503-006
5-2	6カクボウスパナ3	1	142721-001	17-7-5	ナベコ5×14	1	062501-406
5-3	6カクボウスパナ4	1	118064-001	17-7-6	ヒラザガネコガタ3	2	028050-136
5-4	6カクボウスパナ5	1	150335-001	17-8	ウケザラ	2	150180-000
5-5	6カクボウスパナ6	1	115157-001	17-9	スプールマット	2	150182-000
6-1	メカネレンチ8×9	1	105343-001	17-10	スプールクッション	2	126863-000
6-2	メカネレンチ10	1	152765-001	17-11	スレッドハンガー&ミ2	1	S02786-001
7	ボビン	4	159613-001	17-11-1	スレッドハンガー2	1	_____
9	ミシンハリTQ×1 #16	4	115053-016	17-11-2	イトカケハンガーダイ	2	_____
10	ポリオイラークミ	1	114483-002	17-11-3	スレッドブッシュ	2	_____
11	オイルタンク	1	154702-001	18	クラクミ	1	149247-001
12	ペダル&ミ	1	116185-202	19	ヤラモクネジ& 2×32	4	108030-001
12-1	オサエアゲミイタ	1	117437-102	20	クッションカラー	4	152863-001
12-2	1シュナット4	2	021400-106	21	クッション	8	152864-000
12-3	ナベコ&×14	2	062401-416	22	ヒラザガネダイ1 14	12	025800-332
12-4	ペタルジョ	2	116016-001	23	6カクホルト6×25	4	017062-503
13	モータプーリ2000/50	1	153107-001	24	ナット1シュ6	4	021060-102
13	モータプーリ2000/80	1	153106-001	25	_____	1	144226-001
14	アナトメネジ5 85クボミ	2	014760-622	26	バネワッシャー2-6	4	028060-242
15-1	Vベルト&E	1	082104-890	28	6カクボウスパナ4	1	154179-001
15-2	VベルトM51	1	082105-190	30	ゴムワ	1	120448-001
15-2	VベルトM52	1	082105-290	31	ボウズバナパイプ	1	154760-001
17	イトタテダイ&ミ2	1	S02761-001	33	ボタンツカミ&Rイタバネ	1	S05681-101
17-1	ブラケット	1	150189-002	34	ボタンツカミ&Lイタバネ	1	S05680-101
17-2	ブラケットネジセット	1	S02773-001	50	ナベコ437-40×5	2	062580-512
17-2-1	ナベコ&×8	2	062060-806	51	ナット2シュ4 37	2	021680-202
17-2-2	マルモク45×22	3	031452-206	52	トメネジ3 18	2	103976-002
17-3	コラムパイプ	2	150172-002	53	ナット1シュ3 16	2	021660-102
17-4	コラムジョイント&ミ	1	150106-002	54	ボタンツカミ&LイタバネD	1	S08619-001
17-4-1	コラムジョイント	1	_____	55	ボタンツカミ&RイタバネD	1	S08619-001
17-4-2	ナベコ5×14	2	062501-406				

Z. 付属品関係(2) / Accessories (2) / Zubehör (2)
Accessoires (2) / Accesorios (2)



参照番号 Ref No	品名 Name of Parts	個数 Q.ty	部品コード Parts No.
35	6カクボウネジマワシ1.6	1	S01943-001
36	6カクボウスパナ2.5	1	154125-001
37	スパナ1×8	1	142205-001
38	ピンセット	1	117466-000
39	ボタンウケダイクミWS	1	S06687-003
40	シュートコイルクミ	1	S07042-002
41	—	2	032452-502
42	ステップル	6	200190-001
43	フックヒンボリフクロ	1	122991-001
44	カンヒューズ3A	2	215769-001

参照番号 Ref.No.	品名 Name of Parts	個数 Q.ty	部品コード Parts No.
45	Gヒューズ4A	1	S06120-000
46	スペーサ(0.4mm)	2	S09604-000
46	スペーサ(0.8mm)	1	S09605-000
47	ゲージ	1	S06620-001
48-1	ボタンオサエA	1	S05356-000
48-2	ボタンオサエB	1	S06569-000
48-3	ボタンオサエD	1	S09351-000
48-4	ボタンオサエE	1	S09352-000
49	—	1	S11074-000

※ 付属品の明細は変更することがあります。

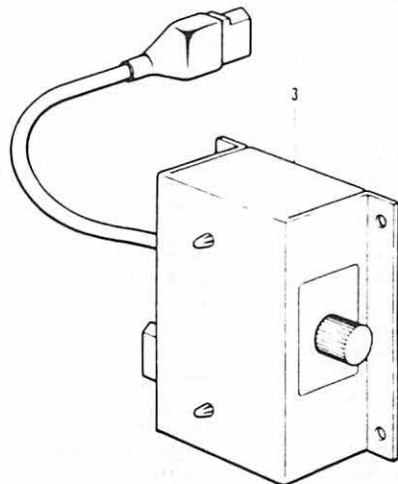
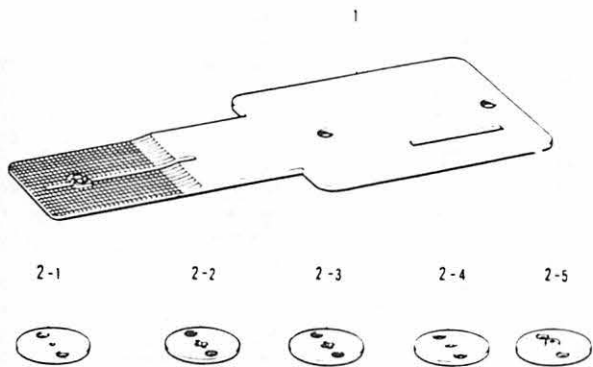
※ The details of included accessories are subject to change

※ Les détails des accessoires inclus sont sujets à des changements

※ Änderungen in der Aufstellung der mitgelieferten Zubehöre sind vorbehalten

※ Los detalles de los accesorios incluidos pueden variar

特別注文部品 OPTION PARTS SONDERZUBEHÖR
REZAS OPCION PIECES EN OPTION



参照番号 Ref No	品名 Name of Parts	個数 Q.ty	部品コード Parts No.
1	オクリイタB	1	S07114-001
2-1	ハリアナイタA	1	156149-001
2-2	ハリアナイタC	1	156151-001
2-3	ハリアナイタD	1	156152-001

参照番号 Ref No	品名 Name of Parts	個数 Q.ty	部品コード Parts No.
2-4	ハリアナイタF	1	156154-001
2-5	ハリアナイタH	1	159940-001
3	レンソクキトクミ	1	S06282-001

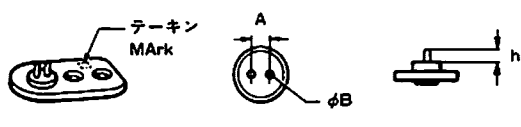
ゲージパーツリスト

GAUGE PARTS LIST/LEHRENLISTE

LISTE DES PIECES D'ECARTEMENT/LISTA DE PIEZAC CALIBRADORAS

ボタンウケダイクミ

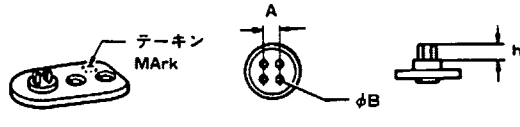
Button Catch Plate Assembly



テーキン Mark	A(mm)	φB(mm)	h(mm)	部品コード Parts. No.
C	2.6	1.0	4	S06686-001
D	2.8	1.2	4	S06686-002
E	3.0	1.2	4	S06686-003
F	3.2	1.2	4	S06686-004
G	3.4	1.2	4	S06686-005
H	3.6	1.2	4	S06686-006
J	3.8	1.2	4	S06686-007
K	3.2	1.5	4	S06686-008
L	3.4	1.5	4	S06686-009
M	3.6	1.5	4	S06686-010
N	3.8	1.5	4	S06686-011

ボタンウケダイクミW

Button Catch Plate Assembly W



テーキン Mark	A(mm)	φB(mm)	h(mm)	部品コード Parts. No.
D	2.2	1.0	4	S06687-001
E	2.4	1.0	4	S06687-002
F	2.6	1.2	4	S06687-003
G	2.8	1.2	4	S06687-004
H	3.0	1.2	4	S06687-005
J	3.2	1.2	4	S06708-001
K	3.4	1.5	4	S06708-002
L	3.6	1.5	4	S06708-003
M	3.2	1.5	4	S06708-004

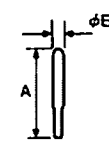
ボタンオサエ

Button Presser

S05356-000	S06569-000	S06570-000	S09351-000	
付属品(A) Accessory (A)	標準(B) Standard (B)	標準(C) Standard (C)	付属品(D) Accessory (D)	
φ8	φ8	φ8	φ10	
S09352-000	S09353-000	S09354-000	S09355-000	S09356-000
付属品(E) Accessory (E)	オプション(F) Option (F)	オプション(G) Option (G)	オプション(H) Option (H)	オプション(J) Option (J)
φ10	φ12	φ12	φ16	φ16

ボタンウケピン

Pin



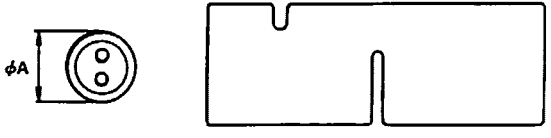
A(mm)	φB(mm)	部品コード Parts. No.
9	1.0	S06688-001
9	1.2	S06689-001
9	1.5	S06690-001

ゲージ

Gaugi

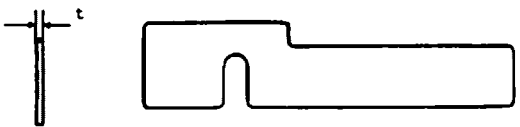
S06620-001

ボタンウエカバー
Button Upper Cover



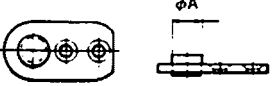
テーキン Mark	φA(mm)	部品コード Parts. No.
A	9 ~ 12	S09601-100
B	12 ~ 16	S09602-100
C	16 ~ 22	S09603-100

スペーサ
Spacer



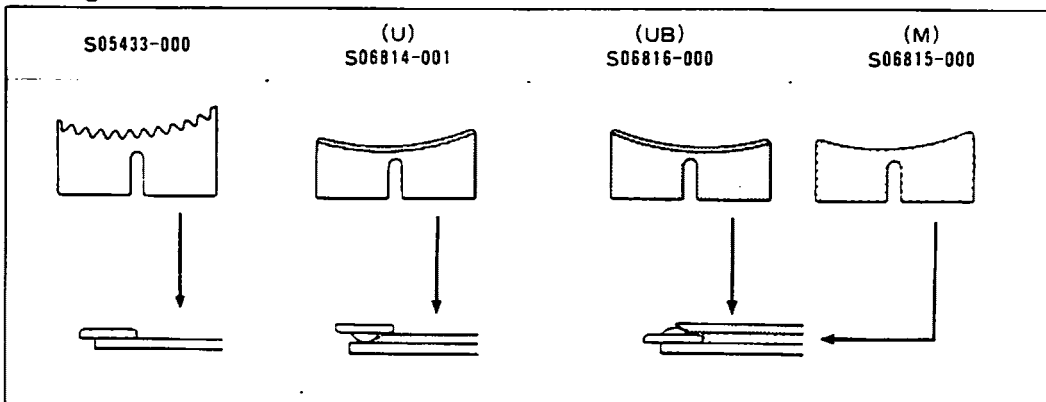
テーキン Mark	t (mm)	部品コード Parts. No.
A	0.4	S09604-000
B	0.8	S09605-000

ボタンウケダイブランク
Button Catch Plate Blank

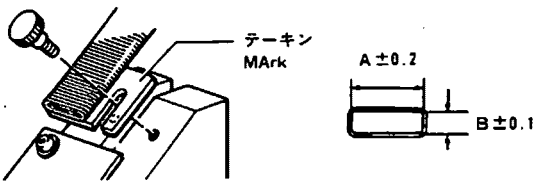


A (mm)	部品コード Parts. No.
6	S06133-001
8.5	S06710-001

ヒョウリセンベツイタ
Sorting Plate



シュートコイルクミ
Shoot Coil Assembly



テーキン Mark	A(mm) × B(mm)	部品コード Parts. No.
A	15 × 2.7	S07042-001
B	17 × 3.5	S07042-002
C	25 × 4.0	S07042-003
D	13 × 2.5	S07042-004
E	13 × 3.0	S07042-005
F	15 × 3.2	S07042-006
G	15 × 3.8	S07042-007
H	17 × 4.0	S07042-008
J	18 × 4.5	S07042-009
K	20 × 3.5	S07042-010
L	20 × 4.0	S07042-011
M	21 × 4.5	S07042-012
N	22 × 5.7	S07042-013
P	25 × 4.7	S07042-014
Q	13 × 2.0	S07042-015
R	22 × 2.0	S07042-016
S	17 × 2.7	S07042-017
T	17 × 2.2	S07042-018

索引
INDEX/VERZEICHNIS
INDEX/INDICE

部品コード Parts No.	参照番号 Ref. No.	部品コード Parts No.	参照番号 Ref. No.	部品コード Parts No.	参照番号 Ref. No.	部品コード Parts No.	参照番号 Ref. No.
S00327-001	K- 16	S05375-001	b- 1-120	S06252-000	f- 2-2	S07127-001	b- 1-8-12
S00400-000	K- 16-11	S05376-001	b- 1-122	S06441-001	d- 3	S07128-001	b- 1-124
S00554-000	b- 1-200	S05378-000	b- 1-001-1-1	S06569-000	Z- 48-2	S07129-001	b- 1-125
S01696-001	b- 1-139	S05379-000	b- 1-001-1-2	S06570-000	b- 1-079	S07135-001	F- 36
	b- 1-143	S05384-001	b- 1-017	S06613-001	d- 1-1-29	S07136-001	b- 1-3-1
S01887-001	Q- 6-1	S05385-000	b- 1-019	S06620-001	Z- 47	S07137-001	b- 1-3
S01888-006	A- 16-1	S05387-001	b- 1-021	S06671-001	b- 1-194	S07138-001	a- 10
S01943-001	Z- 35	S05388-001	b- 1-023	S06686-004	b- 1-3-5	S07163-001	d- 1-3-4
S01998-001	N- 1-12		b- 1-8-4	S06687-003	Z- 39	S07164-001	d- 1-3-15
S02592-001	a- 1-17	S05391-001	b- 1-031	S06992-001	H- 4-17	S07165-001	d- 1-3-8
S02745-001	a- 1-15		b- 1-8-9	S06994-001	H- 4-7	S07166-001	d- 1-3-7
S02761-001	Z- 17	S05392-001	a- 1-22	S06995-001	H- 5-1	S07167-001	d- 1-3-16
S02773-001	Z- 17-2	S05394-001	b- 1-138	S06996-001	H- 5-3	S07172-001	a- 17
S02778-001	Z- 17-6	S05397-001	b- 1-142	S06997-001	H- 5-8	S07814-001	J- 31
S02780-001	Z- 17-7	S05421-001	b- 1-177	S06998-001	H- 5-2	S07977-001	A- 2
S02786-001	Z- 17-11	S05424-001	b- 1-185	S07042-001	d- 2	S07978-001	A- 7
S02878-000	D- 21	S05426-101	d- 1	S07042-002	Z- 40	S07979-001	A- 86
S02907-000	e- 4	S05426-102	d- 1	S07051-000	b- 1-8-1	S07981-001	R- 5
S03464-101	H- 4-2-1	S05427-101	d- 1-1	S07052-001	b- 1-8-2	S07984-000	f- 8
S03468-001	H- 4-2-13	S05427-102	d- 1-1	S07053-001	b- 1-8-7	S07985-000	f- 9
S03600-001	H- 4-5	S05428-001	d- 1-3-2	S07054-001	b- 1-8-10	S07986-000	f- 15
S03606-001	H- 4-10	S05429-001	d- 1-3-2-1	S07055-001	a- 1-6	S08479-001	d- 1-1-9
S03607-001	H- 4-11	S05430-001	d- 1-3-2-2	S07056-001	b- 1-197	S08480-001	d- 1-1-2
S03608-001	H- 4-12	S05431-001	d- 1-3-2-3	S07058-001	e- 1	S08615-001	Z- 54
S03610-001	H- 4-2-15	S05433-000	d- 1-3-5	S07060-001	b- 2	S08619-001	Z- 55
S03657-001	H- 4-2-14	S05435-001	d- 1-3-6	S07061-001	b- 1-002	S09132-001	F- 12
S04557-000	b- 1-3-1-13	S05438-100	d- 1-4	S07062-001	b- 1-001-1-2-3		J- 20
	b- 20	S05475-000	e- 1-2-2	S07064-001	b- 1-001-3		J- 29
	f- 14	S05484-000	e- 2	S07065-001	b- 1-001-1	J- 32	
S05323-100	b- 1-198	S05485-000	f- 1	S07067-001	b- 1-001	S09351-000	Z- 48-3
S05324-001	b- 1-199	S05488-000	f- 3	S07069-001	b- 1-241	S09352-000	Z- 48-4
S05326-000	b- 12	S05678-101	H- 4-2-4	S07070-001	b- 1-037	S09572-001	b- 1-264
S05329-000	b- 1-038	S05679-101	H- 4-2-2	S07071-001	b- 1-026	S09573-001	b- 1-262
S05330-000	b- 1-039	S05680-101	H- 4-2-3	S07072-001	b- 1-025	S09574-001	b- 1-240
S05331-000	b- 1-040	S05681-101	Z- 34	S07073-001	b- 1-020	S09575-001	b- 1-261
S05332-000	b- 1-042		H- 4-2-5	S07074-001	b- 1-080	S09576-001	b- 1-248
S05333-001	b- 1-044	Z- 33	S07075-001	b- 1-127	S09577-001	b- 1-247	
S05334-000	b- 1-052	S05687-001	H- 4-2-10	S07076-001	b- 1-136	S09578-001	b- 1-227
S05335-001	b- 1-054	S05729-001	b- 1-3-1-5	S07079-001	H- 4-6	S09579-001	b- 1-243
S05336-001	b- 1-118	S05730-001	b- 1-3-2	S07080-001	H- 4	S09581-001	b- 1-242
S05337-000	b- 1-055	S05731-001	b- 1-3-3	S07081-001	H- 4-1	S09582-001	b- 1-226
S05338-000	b- 1-057	S05734-001	b- 1-3-4	S07082-001	R- 10	S09584-001	b- 1-250
S05339-001	b- 1-058	S05738-001	b- 1-207	S07083-001	R- 12	S09585-001	b- 1-253
S05340-001	b- 1-060	S05881-001	a- 2	S07084-001	H- 7	S09586-001	b- 1-257
S05341-001	b- 1-061	S05882-001	a- 5	S07086-001	R- 6	S09587-001	b- 1-231
	b- 1-093	S05884-000	a- 6	S07087-001	R- 18	S09590-001	b- 1-239
	b- 1-096	S05888-001	b- 1-189	S07089-001	F- 33	S09591-000	b- 1-225
	b- 1-107	S05889-001	b- 1-190	S07091-001	R- 21	S09592-001	b- 1-229
S05342-001	b- 1-062	S05905-001	H- 4-2-11	b- 1-233	S09593-001	b- 1-230	
S05343-000	b- 1-063	S05907-101	d- 1-1-21	S07092-001	R- 2	S09594-001	b- 1-238
S05344-000	b- 1-065	S05910-000	d- 1-1-4	S07093-001	R- 1	S09596-001	b- 1-223
S05345-001	b- 1-066	S05912-101	d- 1-1-3	S07097-001	R- 16	S09597-001	b- 1-223-1
S05356-000	Z- 48-1	S05914-101	d- 1-1-8	S07098-001	H- 4-13	S09598-001	b- 1-223-2
S05359-001	b- 1-085	S05917-001	d- 1-1-12	S07099-001	a- 1-20	S09599-000	b- 1-224
S05363-001	b- 1-086	S05972-000	b- 1-098	S07102-001	b- 1	S09600-001	b- 1-220
S05364-001	b- 1-088	S05973-001	a- 15	S07104-001	f- 4	S09601-100	b- 1-249
S05365-001	b- 1-092	S06022-001	d- 1-3-14	S07105-001	c- 1	S09604-000	b- 16
S05367-001	b- 1-095	S06024-001	b- 1-050	S07107-001	H- 5	S09605-000	b- 16
S05368-101	b- 1-099	S06027-101	d- 1-3	S07108-001	a- 1	S09609-001	b- 1-186
S05369-001	b- 1-101	S06029-001	b- 1-051	S07110-001	b- 1-006	S09611-000	b- 1-266
S05370-001	b- 1-102	S06033-001	d- 1-1-1	S07111-001	R- 19	S09613-001	b- 1-273
S05371-001	b- 1-022	S06034-001	d- 1-1-1	S07114-001	F- 41	S09636-001	a- 1-3
	b- 1-106	S06044-001	b- 1-129	S07117-001	H- 4-14	S09637-001	a- 1-4
	b- 1-8-3	S06119-001	b- 1-134	S07122-001	a- 1-21	S09641-001	C- 1
S05373-001	b- 1-113	S06120-000	Z- 45	S07126-001	f- 2-1	S10172-001	N- 1-2

部品コード Parts No.	参照番号 Ref. No.	部品コード Parts No.	参照番号 Ref. No.	部品コード Parts No.	参照番号 Ref. No.	部品コード Parts No.	参照番号 Ref. No.
S10173-001	N- 1-11	014060-632	b- 1-041	017062-503	Z- 23	021670-202	L- 12-7
S10174-000	N- 1-21		b- 1-045		b- 1-130	021680-202	B- 39-7
S10175-001	N- 1-23		b- 1-100	017501-602	b- 1-145		R- 15
S10268-001	N- 1-22		b- 1-105	017711-412	B- 44		Z- 51
S10504-001	b- 3		b- 1-123		B- 59	021800-102	B- 22
S10505-000	b- 1-203	b- 1-128		H- 4-3	025030-132	F- 46	
S10512-001	b- 1-188	014300-432	b- 1-053	017761-212	F- 40	025030-232	e- 1-3-9
S10549-000	a- 1-1		b- 1-056	017761-412	C- 9	025030-233	b- 1-179
S10699-000	f- 16		b- 1-059	018051-622	b- 1-235		b- 1-3-1-9
S10700-001	N- 1		b- 1-070	018060-822	E- 10-3		b- 1-3-1-12
S10701-001	b- 1-068	014300-522	b- 1-3-1-4	018061-222	a- 1-7		e- 1-3-16
S10703-000	b- 1-069		b- 1-078	018061-622	B- 77		f- 7
S10704-001	b- 1-075	b- 1-272		J- 42	025040-232	a- 1-19	
S10705-000	b- 1-073	014500-522	b- 1-024	018062-022		B- 56	a- 9
S10706-000	b- 1-074		b- 1-043			H- 2	b- 1-048
S10707-001	b- 1-077		b- 1-064			J- 8	b- 1-091
S10708-001	b- 1-076		b- 1-067			J- 25	b- 1-115
S10709-001	b- 1-072	b- 1-270		b- 1-001-2		b- 1-182	
S10776-001	f- 2-3	b- 1-8-6	018062-222	J- 18			b- 1-211
S10777-001	A- 32	014680-422	M- 28	018063-022		F- 12-2	b- 1-246
S10779-001	H- 4-2		M- 34			J- 20-2	b- 1-254
S11070-001	N- 1-1		N- 1-14			J- 29-2	b- 1-259
S11071-000	C- 15		N- 1-20		J- 32-2	b- 5	
S11073-000	a- 1-10	014680-622	H- 9	018065-022	b- 6	c- 4	
S11074-000	Z- 49		K- 3	018081-222	A- 32-3	025040-233	b- 1-206
S11077-001	N- 3		N- 7	018082-022	F- 4-2		d- 1-3-11
S12413-001	b- 23		S- 3		F- 30-4		e- 1-14
002300-502	b- 1-071	014760-622	S- 9	018082-522	B- 11	e- 1-3-5	
002300-603	a- 1-12		B- 34		d- 1-1-11		e- 1-6
	b- 1-3-1-5-2		B- 74	018300-822	b- 1-265		e- 1-9
002300-803	b- 1-083		E- 19-4	018400-822	b- 1-244	025040-332	d- 1-3-17
	b- 1-178		E- 21		b- 1-253	025050-232	b- 1-012
	b- 1-3-1-10		E- 30	b- 1-258		b- 1-146	
	b- 1-3-3-3		F- 3	018400-832	a- 1-18		b- 1-236
	c- 1-3		F- 6-4		a- 11		b- 1-268
e- 1-3-14	F- 18		b- 1-209			d- 1-1-7	
e- 1-3-7	F- 23		c- 2			d- 1-3-13	
	f- 5	F- 30-3	018401-022	b- 1-007		d- 10	
002301-003	a- 1-14	F- 32		b- 1-008	025060-132	B- 78	
	b- 1-3-4-3	G- 4	b- 1-047		Q- 21		
002301-603	a- 13	G- 10	b- 1-081	025060-232	B- 80		
002350-806	b- 1-097	G- 16	b- 1-089		C- 10		
002400-663	a- 1-16	G- 28	b- 1-181	F- 39			
002401-402	a- 7	H- 1-4	018401-222	b- 1-222	H- 3		
002401-403	e- 1-3-11	H- 5-7	018501-022	d- 8	b- 1-004		
002502-505	d- 1-1-5	H- 6	018501-222	b- 1-011	025080-132	A- 55	
007301-212	b- 1-029	J- 10	018501-222	b- 1-8-5	025080-232	A- 32-4	
007400-813	b- 4	J- 45	018501-422	K- 25	025080-336	d- 1-10	
013710-712	J- 37	K- 6		d- 1-3-12	025100-132	A- 32-16	
	J- 40	K- 8	018680-522	R- 8		a- 1-25	
	S- 13	K- 11	018681-022	Q- 3	025350-132	S- 17	
013719-412	A- 32-8	K- 17	021060-102	Z- 24	025350-332	L- 12-4	
013760-612	A- 52	P- 10	021060-106	b- 1-131	025350-332	P- 4	
	G- 5	Q- 26	021060-202	d- 1-1-19	025680-132	A- 71	
	M- 32	Q- 30	021080-102	d- 1-1-13		B- 39-6	
013761-410	B- 32	Q- 42	021080-302	a- 1-2	025680-232	H- 4-16	
	C- 14	Z- 14	021100-202	A- 32-15		R- 13	
013761-412	C- 21	b- 1-135	021300-103	b- 1-030	025770-232	A- 11	
014060-622	b- 1-028	014770-622	C- 17	b- 1-3-1-8			P- 9
	b- 1-126		C- 19	021400-106	Z- 12-2	S- 7	
	b- 1-271		D- 8	021400-202	b- 1-108	025800-332	B- 20
	b- 1-8-11		K- 15		b- 1-114		Z- 22
014060-632	a- 1-23	014821-022	B- 6	021500-106	Z- 17-4-3	026050-136	Z- 17-7-6
	b- 1-018		E- 29		Z- 17-7-3	028030-242	a- 1-13
	b- 1-034	017062-003	b- 1-003	021660-102	Z- 53	b- 1-084	

部品コード Parts No.	参照番号 Ref. No.	部品コード Parts No.	参照番号 Ref. No.	部品コード Parts No.	参照番号 Ref. No.	部品コード Parts No.	参照番号 Ref. No.	
028030-243	a- 14	048025-342	d- 1-3-2-4	062670-512	L- 21	102630-001	a- 1-9	
	b- 1-3-1-7	048030-342	B- 39-4		L- 26	102843-004	C- 8	
	b- 1-3-1-11		S- 11		L- 33	103950-003	M- 18	
	b- 1-3-3-4		b- 1-232		L- 39	103978-002	Z- 52	
	b- 1-3-4-4		b- 1-259		L- 48	104450-101	A- 31	
	c- 1-4	048040-342	B- 27		L- 50	104567-001	A- 66	
	e- 1-3-15		B- 55-4		S- 15		L- 10	
	e- 1-3-8		D- 1-6		b- 1-274		L- 22	
f- 6		J- 43-6	L- 13	L- 40				
028040-242	L- 51		M- 30	062670-612	M- 4	104689-002	B- 23	
	a- 8		P- 6		M- 40	105234-003	K- 2	
	a- 12		Q- 18-3		N- 1-7		G- 32	
	b- 1-010		Q- 28	A- 15	H- 5-6			
	b- 1-049		S- 8	L- 12-3	b- 1-027			
	b- 1-090		a- 1-5	062671-012	P- 3	105248-003	L- 65	
	b- 1-116	048050-342	N- 1-16	062671-412	L- 12-8	105343-001	Z- 6-1	
	b- 1-183		N- 1-9	062680-512	H- 4-2-7	106030-001	Z- 19	
	b- 1-193		P- 8	062680-612	Z- 50	106129-001	A- 56-4	
	b- 1-210		Q- 5		A- 59	106147-002	B- 37	
	b- 1-221		Q- 37		A- 70	107030-001	B- 52-3	
	b- 1-245	048060-342	G- 12		L- 5	107149-001	L- 59	
	b- 1-255		G- 19	S- 4	107153-002	G- 11		
	b- 1-260		S- 4	b- 1-104	062680-712	107231-002	E- 9	
	c- 3		K- 23	062680-812	A- 22	107606-001	M- 14	
	028040-243	b- 1-201	048080-342	a- 1-24	062681-012	A- 64	107744-001	B- 39-2
		b- 21		A- 32-13		C- 20-7		G- 30
		d- 1-3-10	048100-142	B- 31		H- 4-2-12		H- 5-4
e- 1-15		048110-142	B- 73	062681-012	L- 54	107779-001	Z- 4-1	
e- 1-3-12			G- 27		L- 3	107780-001	Z- 4-3	
e- 1-3-4			Q- 40		A- 6	108520-001	A- 30	
e- 1-5			Q- 24	062710-712	M- 2	109239-002	A- 18	
e- 1-8		048120-142	C- 3	062711-012	A- 81	109893-002	J- 26	
028050-242		B- 45	048150-142	E- 26	062711-212	N- 2	110027-001	J- 44
		B- 60	048160-142	E- 2	062711-412	A- 5	110251-001	B- 38
	b- 1-013	048170-142	B- 4	062761-412	A- 8	110367-001	B- 67	
	b- 1-147	048180-142	F- 15		A- 3		b- 1-103	
	b- 1-237		F- 22		Q- 20		K- 14	
	d- 1-1-6		D- 15	062781-412	C- 35	110505-001	B- 72	
	d- 9	048240-242	A- 32-2-4	071047-650	F- 38	111140-002	Q- 13	
	028050-246	Z- 17-7-2	048320-242	D- 13	071095-250	D- 25	111865-001	A- 87
B- 79		048350-142	F- 45	072600-360	E- 6	B- 75		
J- 27		060660-512	b- 1-251	072600-760	D- 9-3	E- 27		
Z- 26		061500-804	Z- 17-2-1	072630-260	C- 5	112468-001	Q- 41	
b- 8		062060-806	b- 1-257	081003-670	K- 13	112468-001	Q- 36	
d- 1-1-20		062260-406	b- 1-191	081008-070	K- 19	112669-001	L- 31	
d- 6		062400-616	b- 1-202		Q- 52	L- 42		
028060-243		a- 1-8	062400-806		d- 1-1-25	082104-890	Z- 15-1	L- 56
	028080-242	A- 32-5	d- 1-3-3	082105-190		112751-003	M- 6	
		B- 12	e- 1-13	082105-290	Z- 15-2	113006-001	L- 34	
		d- 1-1-22	e- 1-3-3	100022-005	b- 1-112	113316-001	M- 5	
d- 1-9	e- 1-4	100032-004	Q- 43	113431-002	B- 39-5			
028100-242	A- 32-17	e- 1-7	100136-001	M- 15	114294-001	B- 61		
031452-206	Z- 17-2-2	d- 1-3-18		M- 27		M- 17		
032452-502	Z- 41	062401-006	Z- 12-3			N- 10	Z- 10	
	e- 3	062401-416	Z- 17-4-2	100250-001	C- 16	114483-002	A- 80	
	f- 10	062501-406	Z- 17-7-5	100315-002	A- 10	114486-002	A- 80	
046301-620	K- 9-3		Z- 17-7-4	100360-003	Q- 16	114985-001	A- 58	
046302-020	J- 43-1-3	062503-006	R- 20	100398-001	M- 9	115003-001	D- 1-4	
047201-042	N- 1-26	062630-612	K- 16-4	100402-004	M- 10	115012-002	B- 13	
047250-642	H- 4-2-8	062660-412	D- 24	100887-001	Z- 4-2	115018-001	B- 19	
047251-640	L- 37	062660-712	K- 16-8	101125-000	a- 16	115053-016	C- 27	
047501-242	A- 84		J- 49	101572-101	Z- 3-3	115077-003	M- 38	
048020-342	b- 1-228	062670-412	M- 45	102538-007	A- 56-3	115147-001	H- 12	
	b- 1-5		A- 57	102630-001	G- 8	115148-101	H- 11	
048025-342	b- 1-263	062670-512						

部品コード Parts No.	参照番号 Ref. No.	部品コード Parts No.	参照番号 Ref. No.	部品コード Parts No.	参照番号 Ref. No.	部品コード Parts No.	参照番号 Ref. No.
115156-001	H- 4-2-6	144526-001	R- 11	151900-001	B- 29	152686-001	K- 26
115157-001	Z- 5-5	144543-001	d- 4	151901-001	B- 33	152687-101	K- 31
115158-001	H- 4-2-9	144694-001	L- 6	151902-001	B- 35	152693-001	D- 1-2
115166-001	H- 4-9	144712-002	C- 2-2	151903-001	B- 36	152694-001	D- 1-3
115493-002	A- 17	145318-001	F- 34	151904-101	B- 39	152695-201	D- 9-1
115544-001	a- 19	145446-001	M- 12	151905-101	B- 39-1	152698-001	D- 12
115947-001	b- 7		M- 22	151906-101	B- 39-3	152699-001	D- 14
	d- 5		N- 8	151907-001	B- 40	152700-000	D- 16
116016-001	Z- 12-4	145480-001	A- 12		B- 54	152701-001	D- 18
116185-202	Z- 12	145519-001	M- 11		Q- 32	152702-001	D- 19
116231-001	F- 16-3	146354-001	H- 4-4	151908-001	B- 41	152703-100	D- 20
116629-001	S- 5	146375-000	L- 23	151910-001	B- 43	152705-001	D- 22
116920-001	C- 36	146994-001	H- 10	151912-001	B- 47	152706-001	D- 23
117150-001	L- 25	147111-001	D- 7	151913-001	B- 49	152709-000	J- 6
	L- 38	147151-000	J- 3	151914-001	B- 50	152710-001	J- 7
117215-001	N- 9	147745-000	L- 2-7	151915-001	B- 52	152713-001	J- 5
117437-102	Z- 12-1		L- 15	151919-101	B- 57	152718-001	J- 2
117466-000	Z- 38		L- 43	151920-001	B- 58	152718-001	N- 4
117934-001	A- 29	148417-001	R- 4	151923-001	B- 68	152719-000	J- 15
117936-001	A- 27	148546-001	b- 1-094	151924-001	B- 69	152720-000	J- 16
118064-001	Z- 5-3	148587-001	b- 1-111	151925-001	B- 70	152723-001	J- 34
118837-001	Z- 3-2	148589-001	b- 1-117	151927-001	B- 2	152724-001	J- 19
120448-001	N- 1-19	148592-001	b- 1-119	151928-001	E- 1	152728-001	B- 8
	Z- 30	148921-000	L- 14	151929-000	B- 7		J- 23
122991-001	Z- 1	149073-001	b- 1-212	151930-201	E- 3	152731-001	J- 35
	Z- 43	149127-001	H- 4-18	151932-001	E- 8	152732-001	J- 36
123006-001	C- 18	149247-001	Z- 18	151933-001	E- 10-1	152734-001	J- 41
126863-000	Z- 17-10	149547-000	d- 1-1-24	151935-000	E- 10-1-2	152735-101	J- 43
132051-001	C- 20-4	150106-002	Z- 17-4	151936-001	E- 11	152739-001	J- 43-4
140208-001	M- 29	150172-002	Z- 17-3	151937-001	E- 12	152742-001	F- 1-1
	Q- 27	150174-000	Z- 17-5	151938-001	E- 13	152744-001	G- 2-2
140392-001	A- 28	150179-002	Z- 17-7-1	151939-001	B- 55	152745-001	F- 2
140423-000	L- 2-6	150180-000	Z- 17-8	151940-001	E- 10-2		F- 31
	L- 28	150182-000	Z- 17-9	151941-101	E- 10-4	152749-001	F- 7
140726-000	C- 11	150189-002	Z- 17-1	151944-001	E- 19		F- 27
141331-001	F- 36-4	150335-001	Z- 5-4	151946-000	D- 17	152750-001	F- 8
141334-001	J- 47	150553-001	B- 53	151947-101	E- 19-2		F- 28
	Q- 48		B- 64	151948-001	E- 19-3	152752-001	F- 6-2
	b- 1-032		Q- 33	151949-001	E- 20	152755-001	F- 11
	b- 1-087	150554-002	B- 14	151951-001	E- 22	152756-001	B- 5
	b- 1-121		a- 4	151952-001	E- 24		F- 14
	b- 1-187	150556-001	B- 46-3	151953-001	E- 25		F- 19
	b- 1-8-8		B- 48	151954-001	E- 28		F- 21
141472-002	E- 23		B- 51	151997-000	C- 4	152759-001	F- 17
141528-001	M- 37		G- 20-3	151998-000	C- 6	152760-001	F- 20
141550-001	N- 1-4		G- 22	151999-001	C- 7	152765-001	Z- 6-2
141583-001	G- 21		H- 4-15	152000-001	C- 13	152771-000	F- 36-2
141692-001	L- 12-6		H- 4-8	152191-001	K- 9	152772-001	F- 37
141786-001	K- 1	150721-001	R- 22	152236-001	C- 20-2	152773-001	F- 36-3
141808-001	K- 34	151163-001	B- 9	152238-001	C- 20-5	152798-001	G- 2-1
141860-001	A- 32-2-5		J- 24	152239-001	C- 20-6	152799-001	G- 3
142002-001	Z- 5-1	151602-002	F- 1-3	152242-001	C- 25	152800-201	G- 6
142205-001	Z- 37	151604-002	A- 54	152244-000	C- 34	152801-001	G- 7
142211-001	C- 33	151886-001	B- 1	152245-001	K- 4	152802-001	G- 9
142268-001	a- 1-11	151887-001	B- 3	152246-001	K- 5	152803-001	G- 13
142443-001	Z- 3-1	151888-101	B- 10	152247-001	K- 7	152805-101	G- 14-1
142566-001	N- 1-13	151889-001	B- 15	152250-001	K- 10	152806-001	G- 14-2
142628-001	B- 30	151890-000	B- 16	152677-001	K- 16-1	152808-101	B- 46
	B- 71	151891-001	B- 17	152678-001	K- 12		G- 20
	G- 26	151892-001	B- 18	152678-001	K- 18	152811-001	G- 23
	Q- 39	151893-001	B- 21	152679-001	K- 16-2	152815-001	S- 1
142721-001	Z- 5-2	151894-101	B- 24	152680-001	K- 16-3	152816-001	S- 2
144226-001	Z- 25	151895-000	B- 25	152681-101	K- 24	152822-001	S- 6
144458-001	C- 24	151898-001	B- 26	152683-001	K- 16-5	152823-001	S- 10
144528-001	R- 3	151899-001	B- 28	152684-001	K- 16-6	152827-001	S- 12

部品コード Parts No.	参照番号 Ref. No.	部品コード Parts No.	参照番号 Ref. No.	部品コード Parts No.	参照番号 Ref. No.	部品コード Parts No.	参照番号 Ref. No.
152831-006	A- 4	152922-001	Q- 34	153104-001	J- 17	154627-001	C- 26
152832-106	A- 4-1	152923-001	Q- 35	153106-001	Z- 13	154701-001	C- 22
152833-001	A- 4-2	152925-101	P- 1	153107-001	Z- 13	154702-001	Z- 11
152835-006	A- 9	152926-001	P- 2	153138-001	M- 46	154738-101	A- 32-1
152836-006	A- 13	152929-001	P- 7	153141-001	J- 48	154760-001	Z- 31
152838-001	A- 60	152933-001	N- 1-17	153195-001	J- 43-5	154785-000	A- 83
152839-001	A- 61	152936-001	N- 1-5	153208-002	Q- 44	154788-001	Q- 25
152841-003	A- 14	152937-001	N- 1-6	153219-001	Q- 46	154789-001	Q- 18-5
152842-006	A- 16-2	152938-001	N- 1-24	153220-001	Q- 45	155336-001	J- 46
152846-006	A- 19	152940-001	N- 1-10	153222-001	Q- 8	155337-001	J- 43-7
152847-000	A- 85	152941-001	N- 1-15	153330-001	C- 20-1	155489-000	K- 16-10
152848-001	A- 63	152948-001	L- 1	153332-001	J- 43-1	155499-001	B- 62
152852-101	A- 32-2		L- 11	153482-001	Q- 38	155500-001	B- 76
152857-001	A- 32-6	152949-001	L- 2	153484-001	G- 31	155501-001	B- 42
152858-001	A- 32-7	152950-001	L- 2-1		H- 5-5	155523-001	E- 10
152859-001	A- 32-9	152951-001	L- 2-2		b- 1-005	155571-001	P- 5
152860-001	A- 32-10	152952-001	L- 2-3	153528-001	L- 64	156101-001	J- 22
152861-101	A- 32-11	152953-001	L- 45	153529-001	L- 61	156150-001	Q- 17
152862-001	A- 32-12	152955-001	L- 4-2	153530-001	L- 62	156206-001	S- 14
152863-001	Z- 20	152956-001	L- 4-3	153531-001	L- 63-1	156935-101	D- 9
152864-000	Z- 21		L- 7	153562-001	L- 63-2	158686-001	G- 15
152865-101	A- 32-14	152958-001	L- 4	153596-001	Q- 54	158687-001	G- 24
152866-001	A- 51	152959-001	L- 4-1	153597-001	Q- 53	158998-001	a- 3
152867-000	A- 53	152960-001	L- 9	153598-001	Q- 51	159256-001	N- 6
152868-000	A- 55	152961-001	L- 12	153763-001	L- 47	159257-001	N- 5
152869-001	M- 1	152962-001	L- 8	153820-101	F- 4	159394-001	a- 18
152870-001	M- 3	152963-001	L- 12-5	153823-001	F- 26-2	159486-001	N- 1-8
152872-001	M- 8	152964-001	L- 17	153824-001	F- 30-1	159610-101	K- 35
152873-001	M- 16		L- 19	153826-001	F- 44	159613-001	K- 36
152874-001	M- 19	152965-001	L- 18	153827-001	H- 8		Z- 7
152875-001	M- 20	152966-001	L- 12-1	153828-001	G- 29	159805-001	M- 13
152876-001	M- 21	152967-001	L- 12-2	153831-001	G- 1	159977-000	J- 9
152877-001	M- 23	152968-001	L- 60	153835-006	H- 1-1	159978-001	J- 11
	b- 1-234	152969-001	L- 20	153836-101	H- 1-2	159979-001	J- 12
152878-001	M- 24		L- 32	153838-001	H- 1-3	159984-001	J- 13
152879-101	M- 25	152971-001	L- 29	153840-000	J- 4	200190-001	Z- 42
152880-001	M- 26	152973-001	L- 36-1	153841-001	J- 1	215769-001	Z- 44
152881-001	M- 31		L- 67	153842-001	J- 28		e- 1-3-10
152883-000	M- 43	152974-001	L- 41	153845-001	J- 39	402887-001	K- 16-7
152884-001	M- 44	152976-001	L- 49	153846-001	A- 69		
152886-001	M- 33	152977-001	L- 52	153918-001	L- 2-4		
152887-001	M- 35	152978-001	L- 53	153919-001	L- 2-8		
152888-101	M- 36	152980-001	L- 70	153921-001	L- 36-2		
152889-001	M- 39		L- 71	153922-001	L- 44		
152890-001	M- 41	152981-001	Q- 7		L- 58		
152892-001	Q- 1	152984-001	N- 1-3	153924-001	L- 66		
152893-101	Q- 4	152985-001	L- 46	153925-001	L- 68		
152896-001	Q- 2	152986-001	A- 21	153926-001	L- 69		
152897-201	Q- 9	152989-001	A- 20	153927-001	L- 55		
152901-001	Q- 10	152992-001	L- 24	153941-001	R- 7		
152904-001	Q- 11	152995-001	Q- 6-2	153988-001	F- 6-3		
152905-001	Q- 12	153035-000	F- 43	153989-001	F- 30-2		
152906-101	Q- 50	153040-001	C- 2	154125-001	Z- 36		
152912-001	Q- 18-1	153041-001	F- 1-2	154155-101	B- 63		
152913-001	B- 55-2	153042-001	F- 6-1	154174-001	F- 16		
	Q- 18-2		F- 26-1	154179-001	Z- 29		
152914-001	B- 55-3	153044-001	D- 1	154332-001	B- 46-1		
	J- 38	153049-001	M- 7		G- 20-1		
	Q- 18-4	153050-000	K- 16-9	154333-001	B- 46-2		
152915-001	Q- 19	153056-102	A- 62		G- 20-2		
152916-001	Q- 22	153057-002	F- 42	154465-001	A- 79		
152917-001	Q- 23	153058-001	D- 1-5	154528-001	N- 1-18		
152919-001	Q- 18-6	153098-000	A- 56-2	154561-001	C- 20		
152920-001	Q- 29	153100-000	A- 56	154624-001	C- 20-3		
152921-001	Q- 31	153102-001	A- 56-1	154626-001	M- 42		

ブラザー工業株式会社

〒467 名古屋市瑞穂区妙音通 1-32
TEL (052) 824-2392代

BROTHER INDUSTRIES, LTD. NAGOYA, JAPAN

151-915
196915-001
1988. 2

From the library of: Superior Sewing Machine & Supply LLC